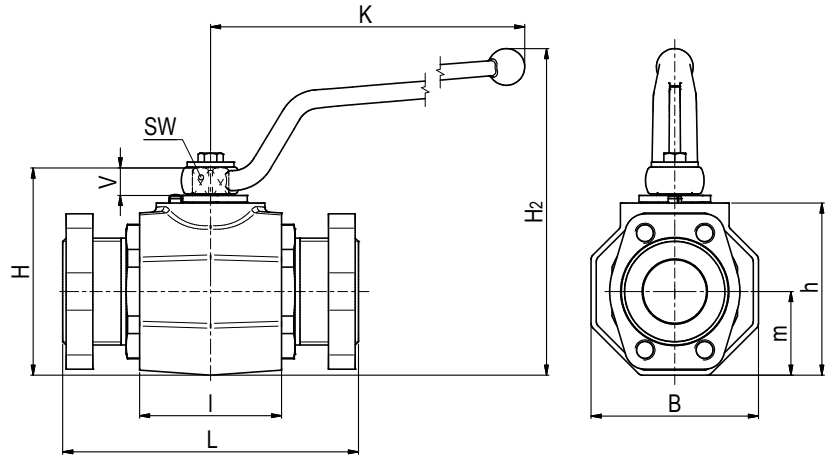


Ball valve with SAE adapter metric / UNC Steel

MKHP-SAE

Two-way



AVAILABLE SIZES

DN32 - DN50 (1 1/4" to 2")

CONNECTIONS

ISO 6162-1, ISO 6162-2

ACCESSORIES ON REQUEST

- Locking devices page 230 - 233
- Actuators 228 - 229
- Mounting holes 26
- Position switches 236 - 237
- Combinations 196 - 197
- Detent on request

MATERIAL CODE DESCRIPTION

Materials	112A	1128
Body	Steel	Steel
Ball	Steel	Steel
Stem	Steel	Steel
Ball seats	POM	POM
O-rings	NBR	FPM
Tmin /Tmax	-20°C / 100°C	-20°C / 100°C

GENERAL DIMENSIONS

Type	l	B 8Kt	H	h	m	V	SW	K	H ₂	Lever
MKHP-DN32	80	81	107	86	40,5	16,5	17	306	180	St
MKHP-DN40	85	100	124	103	50	16,5	17	306	197	St
MKHP-DN50	100	118	138	117	59	16,5	17	306	211	St
MKHP-DN50/65	100	118	138	117	59	16,5	17	306	211	St

Please note the pressure ratings of the connection flanges!

CONNECTION TYPE	DIMENSIONS											ORDER CODE PER MATERIAL COMBINATION		
	Type	LW	L	B ₁	b ₁	t	a	b	M	Weight [Kg]	PN [bar]	112A	1128	
	ISO 6162-1													
	MKHP-DN32-SAE210	32	172	68	79	16	30,2	58,7	M12 ⁽¹⁾	7,52	280	45947	45949	
	MKHP-DN32-SAE210	32	172	68	79	16	30,2	58,7	M10	7,52	280	45948	41734	
	MKHP-DN40-SAE210	38	177	78	93	16	35,7	69,9	M12	11,09	210	45110	45950	
	MKHP-DN50-SAE210	48	196	90	102	16	42,9	77,8	M12	19,29	210	45309	45951	
	MKHP-DN50/65-SAE210	48	196	105	114	19	50,8	88,9	M12	19,29	175	45772	45952	
	MKHP-DN32-SAE210	32	172	68	79	16	30,2	58,7	7/16" UNC	7,52	280	38211	38214	
	MKHP-DN40-SAE210	38	177	78	93	16	35,7	69,9	1/2" UNC	11,09	210	38212	38215	
	MKHP-DN50-SAE210	48	196	90	102	16	42,9	77,8	1/2" UNC	19,29	210	46200	38216	
	MKHP-DN50/65-SAE210	48	196	105	114	19	50,8	88,9	1/2" UNC	19,29	175	38213	38217	

Two-way

CONNECTION TYPE	DIMENSIONS											ORDER CODE PER MATERIAL COMBINATION		
	Type	LW	L	B ₁	b ₁	t	a	b	M	Weight [Kg]	PN [bar]	112A	1128	
	ISO 6162-2													
	MKHP-DN32-SAE420	32	172	78	95	27	31,8	66,7	M14 ⁽¹⁾	7,52	420	45815	45953	
	MKHP-DN32-SAE420	32	172	78	95	27	31,8	66,7	M12	7,52	420	45535	41738	
	MKHP-DN40-SAE420	38	177	94	112	30	36,5	79,4	M16	11,09	420	45093	46198	
	MKHP-DN50-SAE420	48	196	114	134	35	44,5	96,8	M20	19,29	420	45323	46199	
	MKHP-DN32-SAE420	32	172	78	95	27	31,8	66,7	1/2" UNC	7,52	420	46201	38218	
	MKHP-DN40-SAE420	38	177	94	112	30	36,5	79,4	5/8" UNC	11,09	420	46202	38219	
	MKHP-DN50-SAE420	48	196	114	134	35	44,5	96,8	3/4" UNC	19,29	420	46203	38220	

⁽¹⁾ This thread is not to be used for new designs.