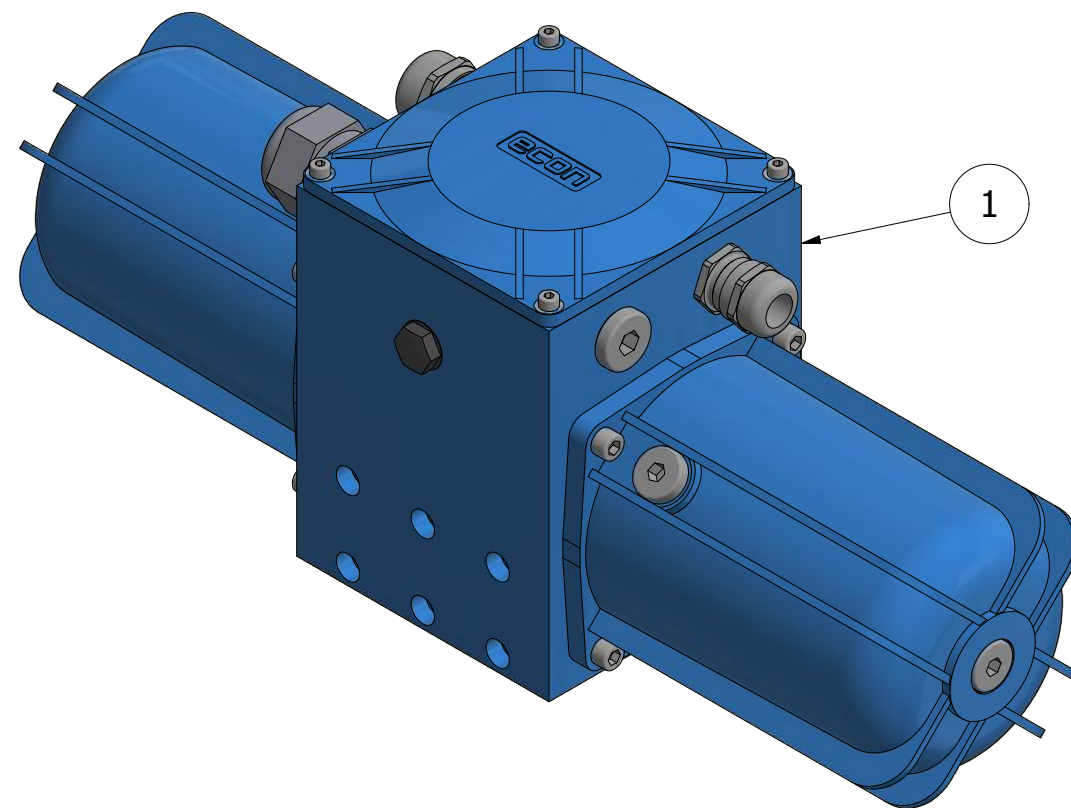
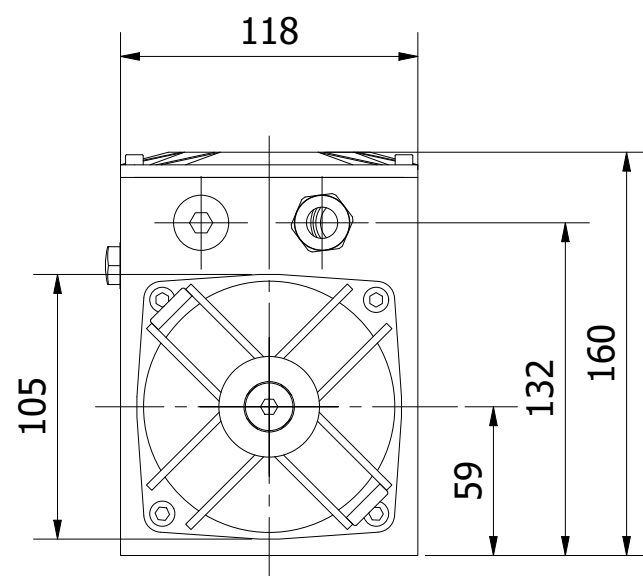
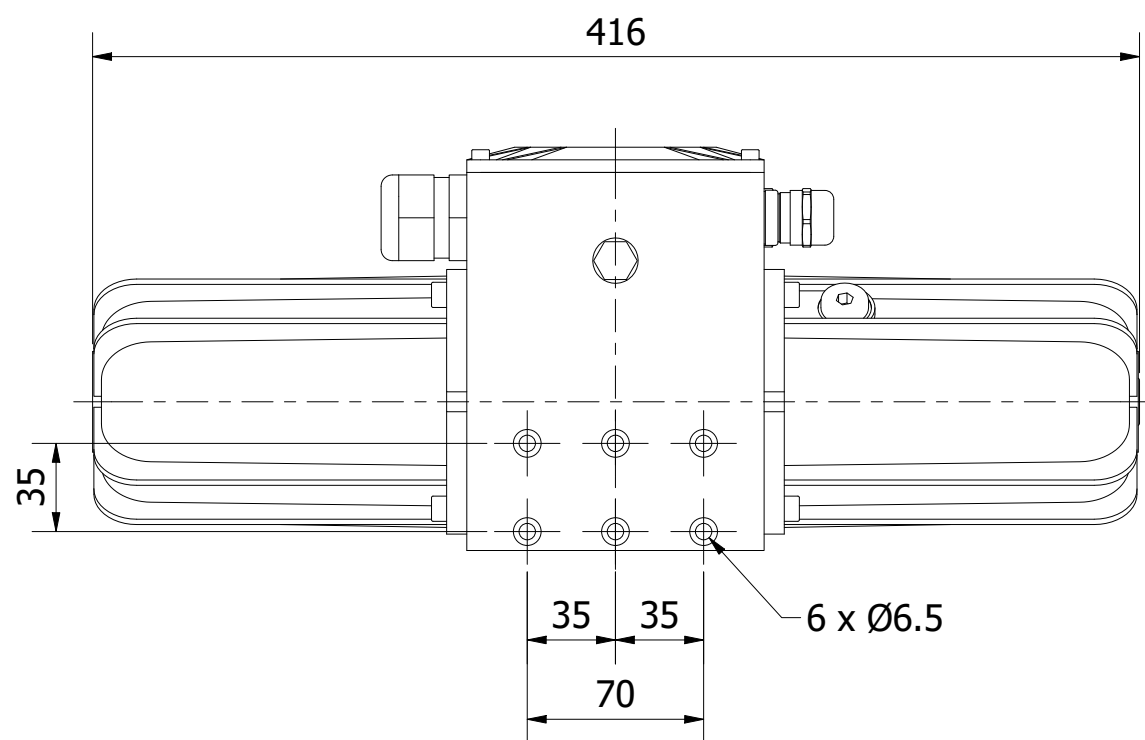
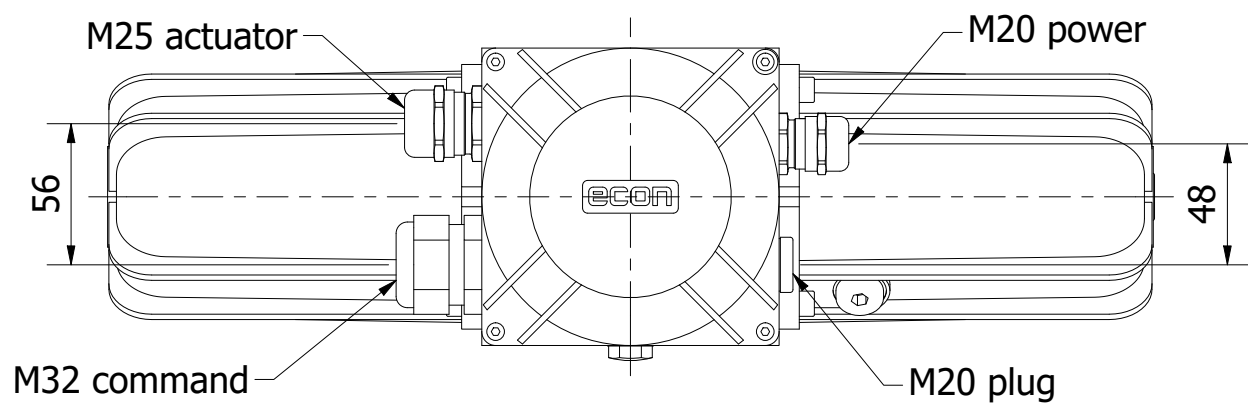


ECON Hydraulic Powerpack, double acting, fig. 21302



Technical Data:

230VAC - 50/60Hz
 - 4 pole motor; 115/140 watts - 0,35/0,40 l/min pump output capacity
 - 2 pole motor; 230/280 watts - 0,70/0,80 l/min pump output capacity
 IP68; at 50 meter for 48 hours
 Output/workingpressure: 135 bar
 Temperature range: -15 / +60 gr.C.
 Oil capacity: 0,6 liter
 Oil type: Mineral oil according; HLP DIN 51524/Part 2
 ISO VG 46mm2/sec (DIN 51519) is used
 Weight: 10KG

DRAWING	PART	QTY	DESCRIPTION	MATERIAL	DIMENSION	REMARKS
1	1	1	Hydraulic powerpack	Aluminum	EHP/DA	
<small>SURFACE FINISH Ra IN µm ACC. TO ISO 1302 DIMENSIONAL TOLERANCES ACC. TO ISO 129-1 FORM AND POSITIONAL TOLERANCES ACC. TO ISO 1101</small>				Scale: 1:3	Date: 5-10-2015	ERIKS
<small>Dimensions without tolerance symbols:</small>		<small>0-100 ± 0.2 100-300 ± 0.4 >300 ± 0.6</small>	<small>AMERICAN PROJECTION</small> 	Drawn by: EH	Approved by: OP	
<small>REVISION DATE:</small> DESCR.: Econ Hydraulic Powerpack				Figure No.: 21302	Size:	Drawing No.: C36979
					Connection:	REV.: C