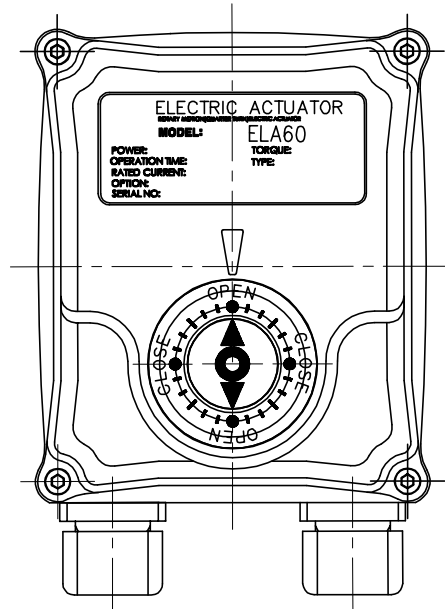
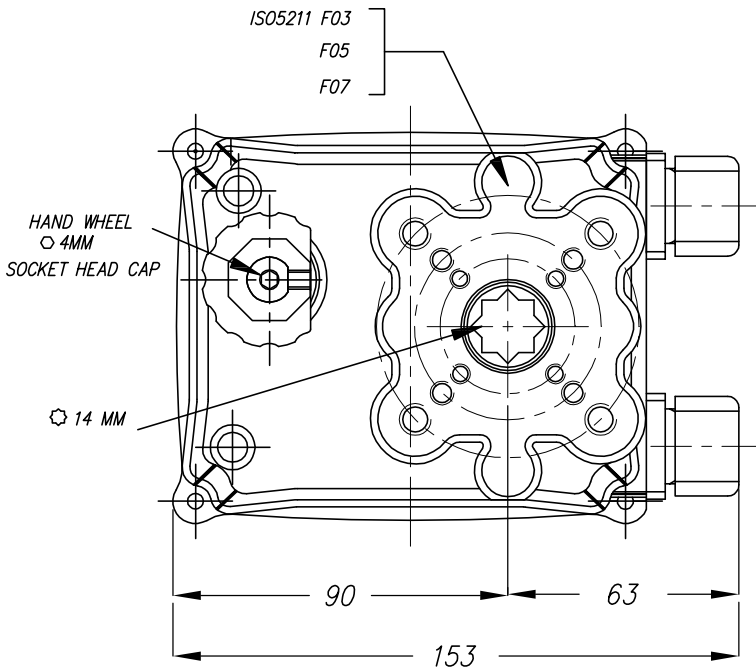


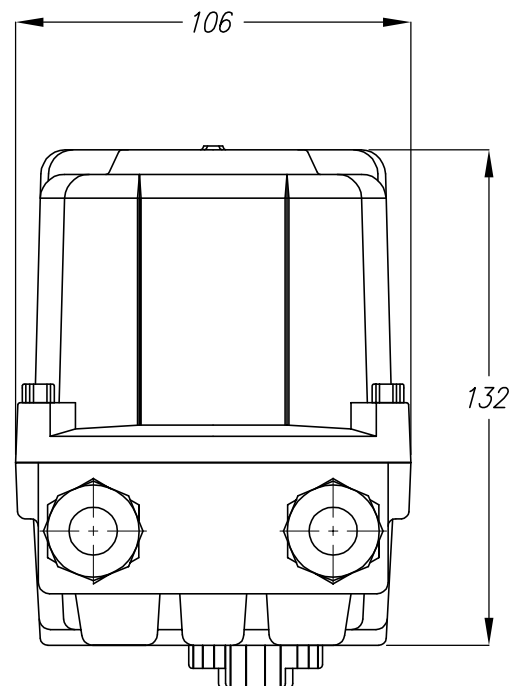
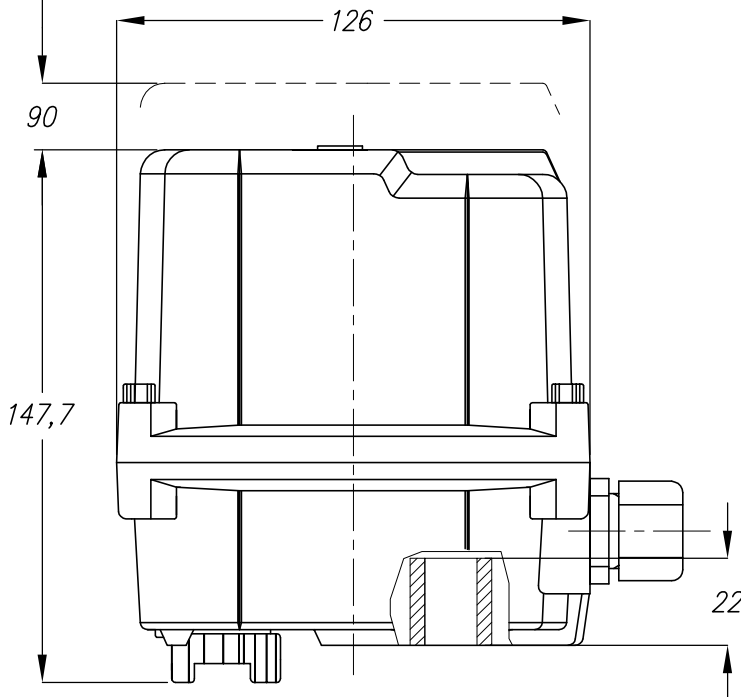
# ELECTRIC ACTUATOR ELA60 WITH DRIVE BUSHING

DOUBLE SQUARE INSERT DS14

ENCLOSURE: IP67  
 TORQUE: 6Kg.m/60Nm/531 lb-in  
 OPERATION TIME: 12sec  
 POSITION SWITCH: 4 SPDT SWITCH  
 CABLE ENTRY: PG11  
 MOUNTING FLANGE: F03/F05/F07  
 acc. to DIN/ISO5211



MIN. DIMENSION NEEDED FOR OPENING THE COVER: 90 MM



DATE:  
12-11-2012

REV. DATE:  
11-12-2017

econ<sup>®</sup>

DRAWN:  
FWP

CHECKED:

DWG. Nr.:  
7907-2

REV.:  
C