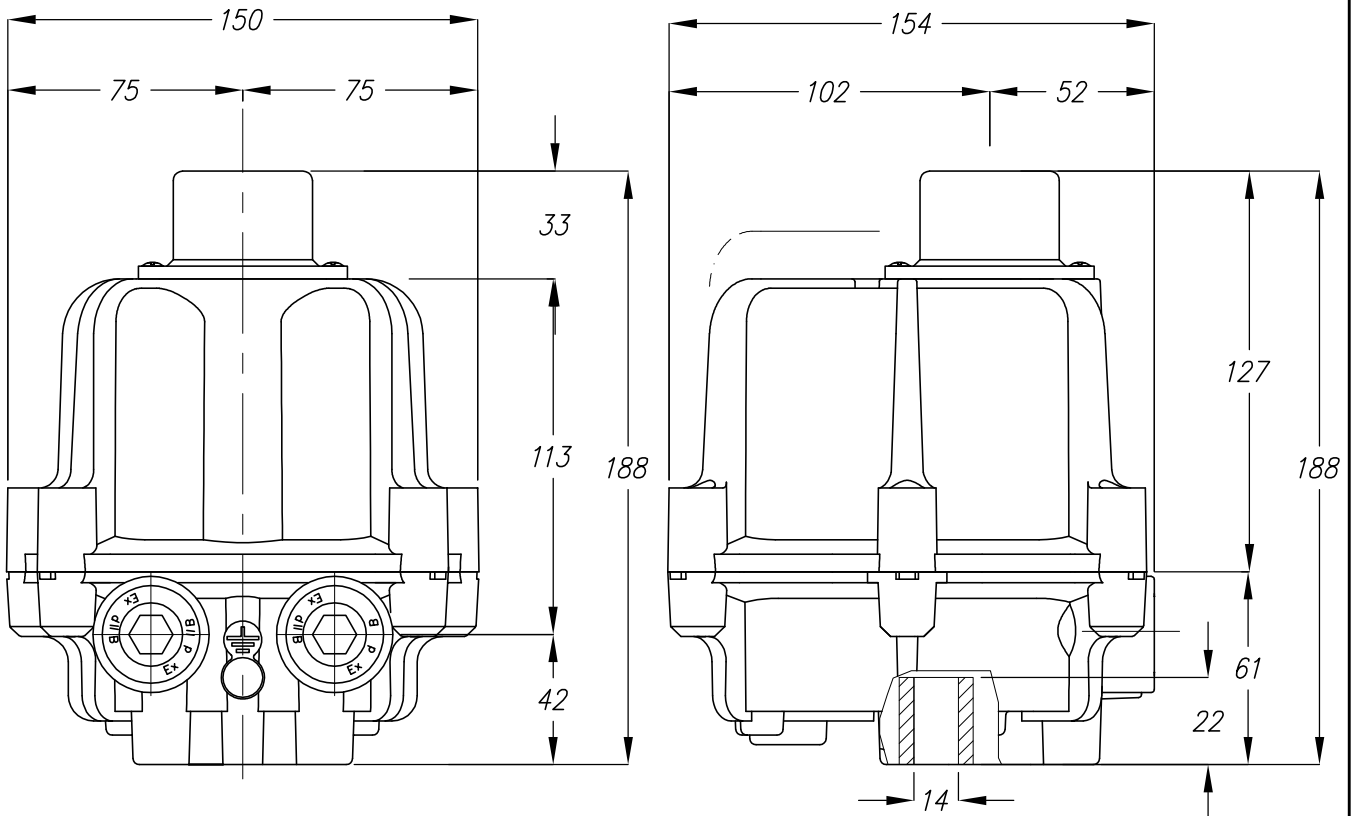
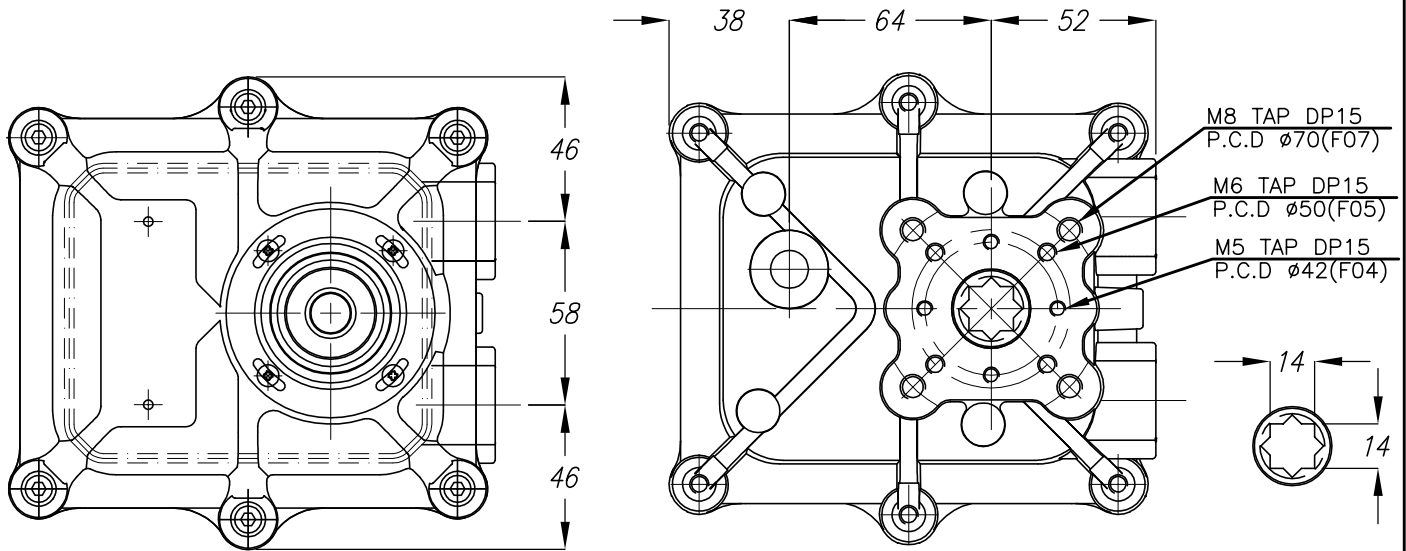


# ELECTRIC ACTUATOR ELA60EX WITH DRIVE BUSHING

DOUBLE SQUARE INSERT DS14

ENCLOSURE: IP67  
 TORQUE: 6Kg.m/60Nm/531 lb-in  
 OPERATION TIME: 13sec  
 POSITION SWITCH: 4 SPDT SWITCH  
 CABLE ENTRY: M20(1.5) x 2EA  
 MOUNTING FLANGE: F04/F05/F07  
 acc. to DIN/ISO5211



DATE:  
23-12-2016

REV. DATE:  
20-11-2017

econ

DRAWN: JL	CHECKED: HS
DWG. Nr.: 7907-2EX	REV.: A