

Engineered solutions: Conveyor Manufacturers

Fenner Series W Geared Motors

Fenner®

THE MARK OF ENGINEERING EXCELLENCE



Series W

A modern modular designed aluminium wormbox available in a vast range of sizes and ratios. The unit uses a patented modular lightweight aluminium gear case, which combines rigidity with strength to ensure a long reliable working life.

- Dimensionally interchangeable with market leaders
- Versatile mounting
- Excellent mechanical strength
- Lightweight construction
- Accepts standard IEC electric motors

UNIT SELECTION

Series W Series 3 phase Gear Motor Units														
Ratio	0,09kW	0,12kW	0,18kW	0,25kW	0,37kW	0,55kW	0,75kW	1,1kW	1,5kW	2,2kW	3kW	4kW	5,5kW	7,5kW
5	741	741	741	742	742	742	743							
7.5	740	741	741	742	742	742	743	744	744	745	745	745	747	749
10	740	741	741	742	742	742	743	744	744	745	745	745	747	749
15	740	741	741	742	742	742	743	744	744	745	745	746	747	749
20	740	741	741	742	742	742	744	744	745	746	746	747	747	749
25	740	741	741	742	743	743	744	744	745	746	746	747	749	749
30	740	741	742	742	743	743	744	744	745	746	746	747	749	749
40	740	741	742	743	743	744	744	745	746	747	747	749	749	
50	741	741	742	743	744	744	745	746	746	747	747	749		
60	741	742	743	743	744	745	745	747	747	747	749			
80	741	742	743	744	744	745	746	747	747	749	749			
100	742	742	743	744	744	745	746	747	749					

Authorised Fenner Distributor

ERIKS

ERIKS bv
Rouaanstraat 8
9723 CD Groningen
Tel +31 (0)50 3684975
Fax +31 (0)50 3146257
Email info.groningen@eriks.nl

ERIKS bv
Albert Einsteinweg 8
6045 GX Roermond
Tel +31 (0)475 372233
Fax +31 (0)475 327540
Email info.roermond@eriks.nl

ERIKS bv
Sevillaweg 75
3047 AL Rotterdam
Tel +31 (0)10 2455000
Fax +31 (0)10 2620622
Email info.rotterdam@eriks.nl

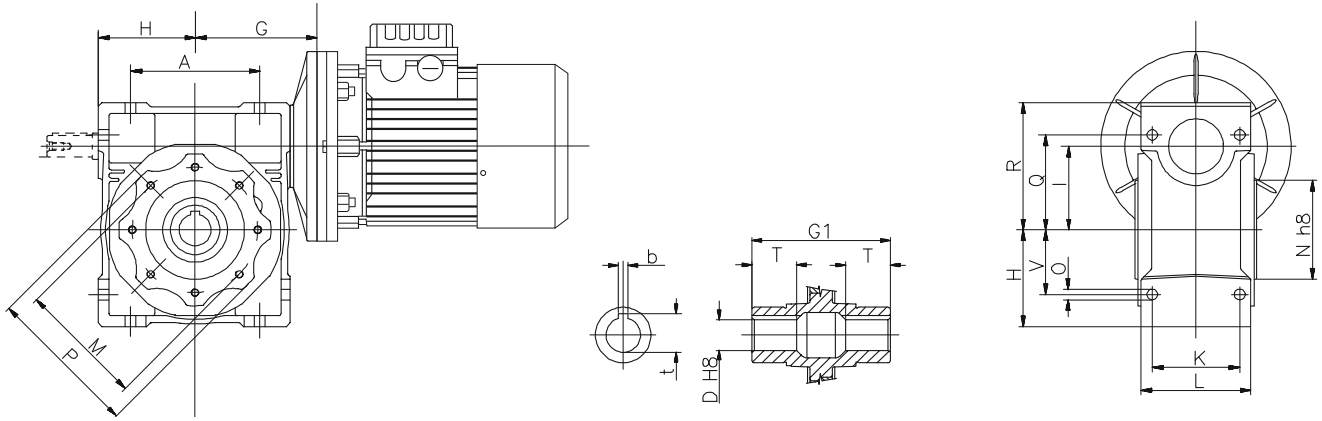


Engineered solutions: Conveyor Manufacturers

Fenner Series W Geared Motors

Fenner®

THE MARK OF ENGINEERING EXCELLENCE



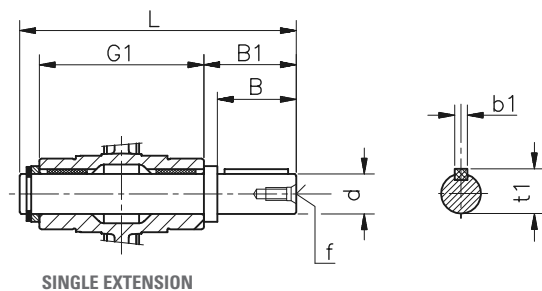
UNIT DIMENSIONS

Dimensions (mm)	Unit Size								
	740	741	742	743	744	745	746	747	749
A	45	54	70	80	100	120	140	170	200
D†	11	14	18 (19)	25 (24)	25 (28)	28 (35)	35 (38)	42	45
G	45	55	70	80	95	112.5	129.5	160	180
H	35	40	50	60	72	86	103	127.5	147.5
I	25	30	40	50	63	75	90	110	130
K	34	44	60	70	85	90	100	115	120
L	42	56	71	85	103	112	130	144	155
M	55	65	75	85	95	115	130	165	215
N (h8)	45	55	60	70	80	95	110	130	180
O	6.0	6.5	6.5	8.5	8.5	11.5	13.0	14.0	16.0
P	-	75	87	100	110	140	160	200	250
Q	35.5	44	55	64	80	93	102	125	140
R	48.0	57.0	71.5	84.0	102.0	119.0	135.0	167.5	187.5
T	16.0	21.0	26.0	30.0	36.0	40.0	45.0	50.0	60.0
V	22.5	27	35	40	50	60	70	85	100
b†	4	5	6	8	8	8 (10)	10	12	14
t†	12.8	16.3	20.8 (21.8)	28.3 (27.3)	28.3 (31.3)	31.3 (38.3)	38.3 (41.3)	45.3	48.8

All dimensions in mm.

† Dimension in brackets are the alternative bore option.

OUTPUT SHAFT DIMENSIONS



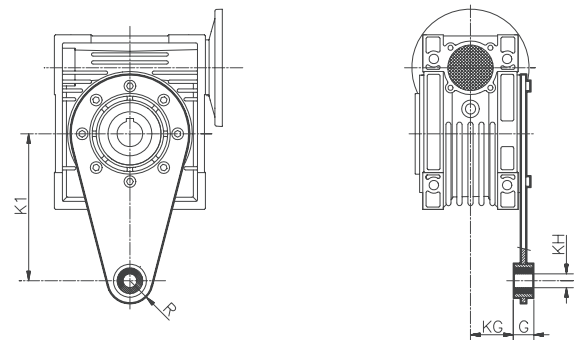
SINGLE EXTENSION

Unit Size	d h6	B	B1	G1	L	f	b1	t1
740*	11 g6	23	25.5	50	81	-	4	12.5
741	14	30	32.5	63	102	M6	5	16.0
742	18	40	43.0	78	128	M6	6	20.5
743	25	50	53.5	92	153	M10	8	28.0
744	25	50	53.5	112	173	M10	8	28.0
745	28	60	63.5	120	192	M10	8	31.0
746	35	80	84.5	140	234	M12	10	38.0
747	42	80	84.5	155	249	M16	12	45.0
749	45	80	85.0	170	265	M16	14	48.5

*Alternative small shaft available on request contact your local Authorised Distributor.

All dimensions in mm.

TORQUE ARM DIMENSIONS



Unit Size	K1	G	KG	KH	R
740	70	14	17.5	8	15
741	85	14	24.0	8	15
742	100	14	31.5	10	18
743	100	14	38.5	10	18
744	150	14	49.0	10	18
745	200	25	47.5	20	30
746	200	25	57.5	20	30
747	250	30	62.0	25	35
749	250	30	69.0	25	35

All dimensions in mm

NOTE: Sizes 740 & 741 are not supplied with vibration resistant bushing