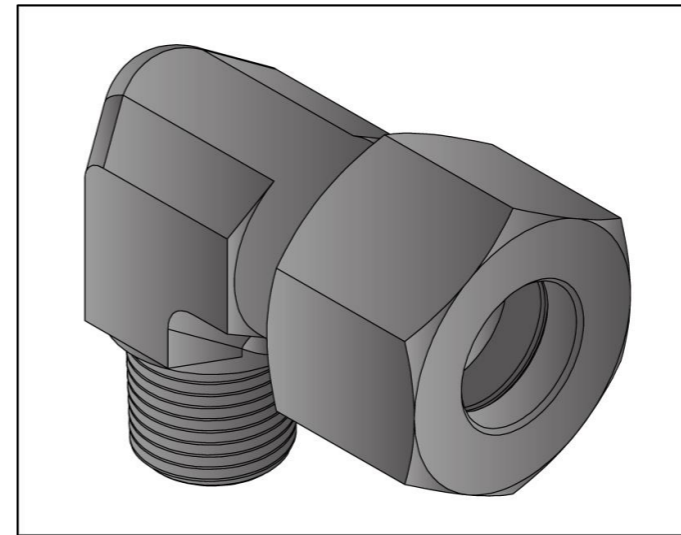
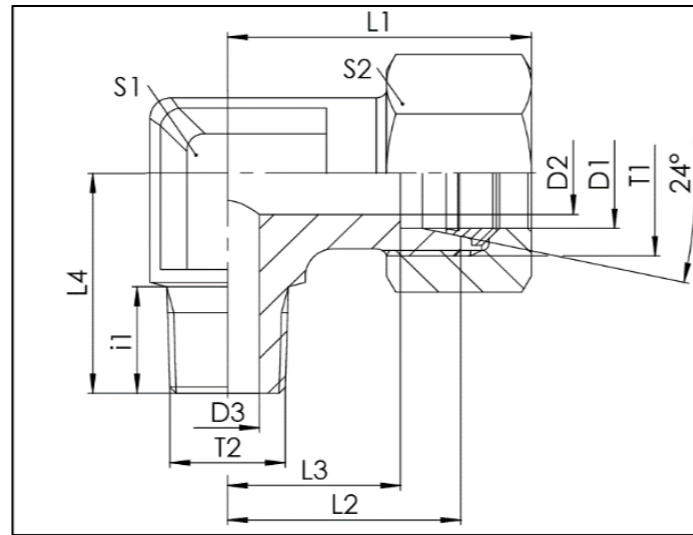


WEV-NPT

NPT-AG - Schneidringanschluss / NPT-m - Cutting Ring Connection

- Winkeleinschraubverschraubung mit 24° Konus
- LL-, L- und S-Reihe
- Gewinde: M / NPT
- DIN 2353 / ISO 8434-1 / ASME/ANSI B 1.20.1

- 90° elbow connector with 24° cone end
- LL-, L- and S-series
- thread: M / NPT
- DIN 2353 / ISO 8434-1 / ASME/ANSI B 1.20.1



WEV-NPT

Baureihe series	D1 mm	T1	T2	D2 mm	D3 mm	L1 mm	L2 mm	L3 mm	L4 mm	i1 mm	S1 mm	S2 mm	PN bar	Gewicht Stutzen weight fitting g	Gesamt- gewicht total weight g	Bezeichnung Name	Artikel Nr. Stutzen Article No. fitting	Artikel-Nr. Komplettteil Article No. complete part
LL	4	M8x1	1/8 NPT	3	3	21	15	11	17	10	9	10	100	13	18	WEV 04LL 1/8 NPT	108224	105538
	6	M10x1	1/8 NPT	4,5	4,5	21	15	9,5	17,1	10	9	12	100	12	19	WEV 06LL 1/8 NPT	108233	105545
	8	M12x1	1/8 NPT	6	6	23	17	11,5	20	10	12	14	100	16	25	WEV 08LL 1/8 NPT	108260	105573
L	6	M12x1,5	1/8 NPT	4	4	27	19	12	20	10	12	14	315	22	35	WEV 06L 1/8 NPT	108231	105543
	6	M12x1,5	1/4 NPT	4	4	31	23	16	26	15	12	14	315	36	49	WEV 06L 1/4 NPT	108230	105542
	6	M12x1,5	3/8 NPT	4	4	33	25	18	28	12,5	14	14	315	58	71	WEV 06L 3/8 NPT	108232	105544
	8	M14x1,5	1/8 NPT	6	4	29	21	14	24	10	12	17	315	27	46	WEV 08L 1/8 NPT	108258	105571
	8	M14x1,5	1/4 NPT	6	6	29	21	14	26	15	12	17	315	31	50	WEV 08L 1/4 NPT	108257	105570
	10	M16x1,5	1/4 NPT	7	7	30	22	15	27	15	14	19	315	39	62	WEV 10L 1/4 NPT	108288	105595
	10	M16x1,5	3/8 NPT	8	8	30	22	15	28	15,5	14	19	315	47	70	WEV 10L 3/8 NPT	108290	105597
	12	M18x1,5	1/4 NPT	7	7	32	24	17	28	15	17	22	315	50	81	WEV 12L 1/4 NPT	108310	105615
	12	M18x1,5	3/8 NPT	10	9	32	24	17	28	15,5	17	22	315	55	86	WEV 12L 3/8 NPT	108312	105617
	12	M18x1,5	1/2 NPT	10	10	36	28	21	34	20	19	22	315	106	137	WEV 12L 1/2 NPT	108308	105614
	15	M22x1,5	1/2 NPT	12	12	36,5	28	21	34	20	19	27	315	98	148	WEV 15L 1/2 NPT	108338	105641
	18	M26x1,5	1/2 NPT	14	12	40,5	31	23,5	36	20	24	32	315	133	206	WEV 18L 1/2 NPT	108356	105659
	22	M30x2	3/4 NPT	18	18	45,5	35	27,5	42	20	27	36	160	190	288	WEV 22L 3/4 NPT	108380	105682
	28	M36x2	3/4 NPT	18	18	49	38	30,5	48	25	36	41	160	311	425	WEV 28L 3/4 NPT	108401	105702
	28	M36x2	1 NPT	24	23	49	38	30,5	48	25	36	41	160	316	430	WEV 28L 1 NPT	108399	105700
35	M45x2	1.1/4 NPT	30	30	57	45	34,5	54	25,5	41	50	160	467	641	WEV 35L 1.1/4 NPT	108420	105720	
42	M52x2	1.1/2 NPT	36	36	63	51	40	61	26	50	60	160	678	941	WEV 42L 1.1/2 NPT	108435	105735	
S	6	M14x1,5	1/4 NPT	4	4	32	24	17	26	15	12	17	630	41	62	WEV 06S 1/4 NPT	108248	105561
	8	M16x1,5	1/4 NPT	5	5	32	24	17	27	15	14	19	630	51	76	WEV 08S 1/4 NPT	108275	105585
	8	M16x1,5	3/8 NPT	5	5	33	25	18	28	12,5	14	19	630	62	87	WEV 08S 3/8 NPT	108277	105587
	8	M16x1,5	1/2 NPT	5	5	38	30	23	34	19	19	19	630	134	159	WEV 08S 1/2 NPT	108274	105584
	10	M18x1,5	1/4 NPT	7	5	34	25	17,5	28	15,5	17	22	630	63	99	WEV 10S 1/4 NPT	108300	105607
	10	M18x1,5	3/8 NPT	7	7	34	25	17,5	28	15,5	17	22	630	70	106	WEV 10S 3/8 NPT	108302	105608
	10	M18x1,5	1/2 NPT	7	7	39	30	22,5	34	19	19	22	630	128	164	WEV 10S 1/2 NPT	108299	105606
	12	M20x1,5	1/4 NPT	7	7	38	29	21,5	29	13	17	24	630	76	117	WEV 12S 1/4 NPT	108325	105628
	12	M20x1,5	3/8 NPT	8	8	38	29	21,5	28	15,5	17	24	630	82	122	WEV 12S 3/8 NPT	108326	105629
	12	M20x1,5	1/2 NPT	8	8	38	29	21,5	32	20	17	24	630	105	146	WEV 12S 1/2 NPT	108323	105626
	14	M22x1,5	1/2 NPT	10	10	40	30	22	34	20	19	27	630	118	179	WEV 14S 1/2 NPT	108331	105634
	16	M24x1,5	1/2 NPT	12	12	43	33	24,5	33,5	20	24	30	400	141	217	WEV 16S 1/2 NPT	108349	105652
	20	M30x2	3/4 NPT	16	16	49	37	26,5	42	20	27	36	400	227	348	WEV 20S 3/4 NPT	108370	105672
	25	M36x2	1 NPT	20	20	55	42	30	48	25	36	46	400	409	642	WEV 25S 1 NPT	108391	105692
	30	M42x2	1.1/4 NPT	25	25	63	49	35,5	54	25,5	41	50	315	648	907	WEV 30S 1.1/4 NPT	108412	105712
38	M52x2	1.1/2 NPT	32	32	72,5	57	41	61	26	50	60	315	919	1294	WEV 38S 1.1/2 NPT	108427	105727	

Technische Änderungen vorbehalten / Subject to technical alteration