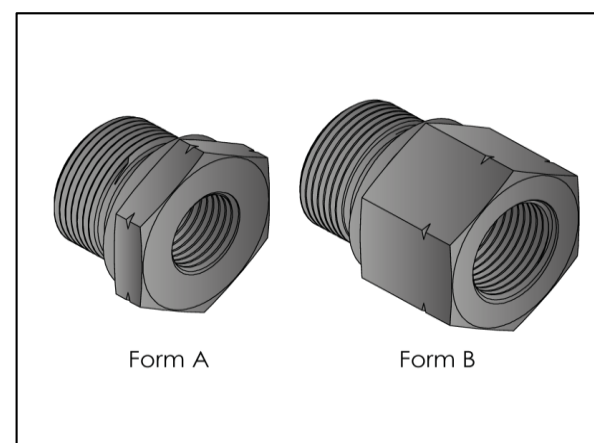
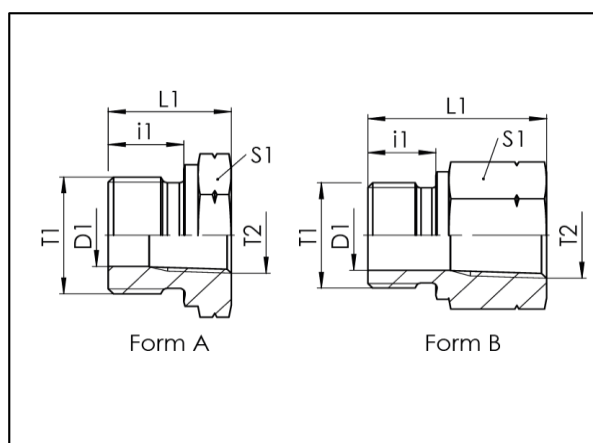


RI BSPP - NPT-f

BSPP-AG - NPT-IG / BSPP-m - NPT-f

- Gerader Reduzierstutzen mit Innengewinde
 - Abdichtung durch metallische Dichtkante ISO 9974-3 Form B
 - Gewinde: BSPP - NPT
 - ISO 1179 - ANSI/ASME B 1.20.1 / SAE 476
-
- *straight reducer*
 - *metallic sealing edge ISO 9974-3 Form B*
 - *thread: BSPP - NPT*
 - *ISO 1179 - ANSI/ASME B 1.20.1 / SAE 476*



RI BSPP - NPT-f

Baureihe series	T1	T2	D1 mm	L1 mm	i1 mm	S1 mm	PN bar	Gewicht weight g	Bezeichnung Name	Artikel-Nr. Article No.
B	G1/8	1/4 NPT	4	33	8	19	400	49	RI 1/8 x 1/4 NPT-f	103830
B	G1/4	1/4 NPT	5	36	12	19	400	54	RI 1/4 x 1/4 NPT-f	103820
B	G1/4	3/8 NPT	5	38	12	24	400	83	RI 1/4 x 3/8 NPT-f	103840
B	G1/4	1/2 NPT	5	42	12	30	400	136	RI 1/4 x 1/2 NPT-f	103835
B	G3/8	1/4 NPT	8	36	12	22	400	78	RI 3/8 x 1/4 NPT-f	103879
B	G3/8	3/8 NPT	8	38	12	24	400	88	RI 3/8 x 3/8 NPT-f	103874
B	G3/8	1/2 NPT	9	44	12	27	400	115	RI 3/8 x 1/2 NPT-f	126634
A	G1/2	1/4 NPT	11	24	14	27	400	64	RI 1/2 x 1/4 NPT-f	103774
B	G1/2	3/8 NPT	12	36	14	27	400	103	RI 1/2 x 3/8 NPT-f	103775
B	G1/2	1/2 NPT	12	41	14	27	400	103	RI 1/2 x 1/2 NPT-f	103767
B	G1/2	3/4 NPT	12	51	14	36	400	240	RI 1/2 x 3/4 NPT-f	103810
A	G3/4	3/8 NPT	14	26	16	32	400	100	RI 3/4 x 3/8 NPT-f	207727
B	G3/4	1/2 NPT	17,5	42	16	32	400	162	RI 3/4 x 1/2 NPT-f	103877
B	G3/4	3/4 NPT	16	47	16	36	400	212	RI 3/4 x 3/4 NPT-f	207729
B	G1	3/4 NPT	20	47	18	41	400	303	RI 1 x 3/4 NPT-f	103834
A	G1.1/4	3/4 NPT	23	32	20	50	200	296	RI 1.1/4 x 3/4 NPT-f	207732
B	G1.1/4	1 NPT	25	52	20	50	200	502	RI 1.1/4 x 1 NPT-f	207735
A	G1.1/2	1 NPT	29	42	22	55	200	481	RI 1.1/2 x 1 NPT-f	207738
B	G1.1/2	1.1/4 NPT	32	58	22	55	200	589	RI 1.1/2 x 1.1/4 NPT-f	207740

Technische Änderungen vorbehalten / Subject to technical alteration