

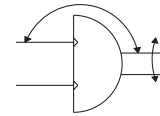
Rotary Table: Basic Type Rack and Pinion Style

Series **MSQ**

Size: 10, 20, 30, 50, 70, 100, 200



JIS symbol



Features

- ➔ A thin rotary table unit with a low table top height.
- ➔ No backlash.
- ➔ The angle can be adjusted as desired.
(Between 0° and 190°).
- ➔ Choose from adjustment bolts or internal shock absorbers.
- ➔ The body can be centered easily during installation.
- ➔ A load can be mounted directly.

Specifications

Size	10	20	30	50	70	100	200
Fluid	Air (non-lube)						
Maximum operating pressure	With adjustment bolt	1 MPa					
	With internal shock absorber	0.6 MPa ^{Note 1)}					
Minimum operating pressure	Basic type	0.1 MPa					
	High precision type	0.2 MPa	0.1 MPa		—		
Ambient and fluid temperature	0 to 60°C (with no freezing)						
Cushion	With adjustment bolt	Rubber bumper					
	With internal shock absorber	Shock absorber					
		Shock absorber model	RBA0805-X692	RBA1006-X692	RBA1411-X692	RBA2015-X821	RBA2725-X821
Angle adjustment range	0 to 190° ^{Note 2)}						
Maximum rotation	190°						
Cylinder bore size	ø15	ø18	ø21	ø25	ø28	ø32	ø40
Port size	End ports	M5		1/8			
	Side ports	M5					

Note 1) The maximum operating pressure of the actuator is restricted by the maximum allowable thrust of the shock absorber.

Note 2) Be careful if the rotation angle of a type with internal shock absorber is set below the value in the table below, the piston stroke will be smaller than the shock absorber's effective stroke, resulting in decreased energy absorption ability.

How to Order:

E MSQ B 50 A

Thread port type

Nil	M5	10, 20
E	G(PF)	30 to 200

Size

10	70
20	100
30	200
50	

A	With adjustment bolt
R	With internal shock absorber

Auto Switch Specifications

Refer to switch section.

Allowable Kinetic Energy and Rotation Time Adjustment Range

Size	Allowable kinetic energy (mJ)		Rotation time adjustment range for stable operation [s/90°]	
	With adjustment bolt	With internal shock absorber	With adjustment bolt	With ^{Note 1)} internal shock absorber
10	7	39	0.2 to 1.0	0.2 to 0.7
20	25	116		
30	48	116		
50	81	294	0.2 to 1.5	0.2 to 1.0
70	240	1100		
100	320	1600	0.2 to 2.0	
200	560	2900	0.2 to 2.5	

Note 1) Be careful if a type with internal absorber is used below the minimum speed, the energy absorption ability will decrease drastically.

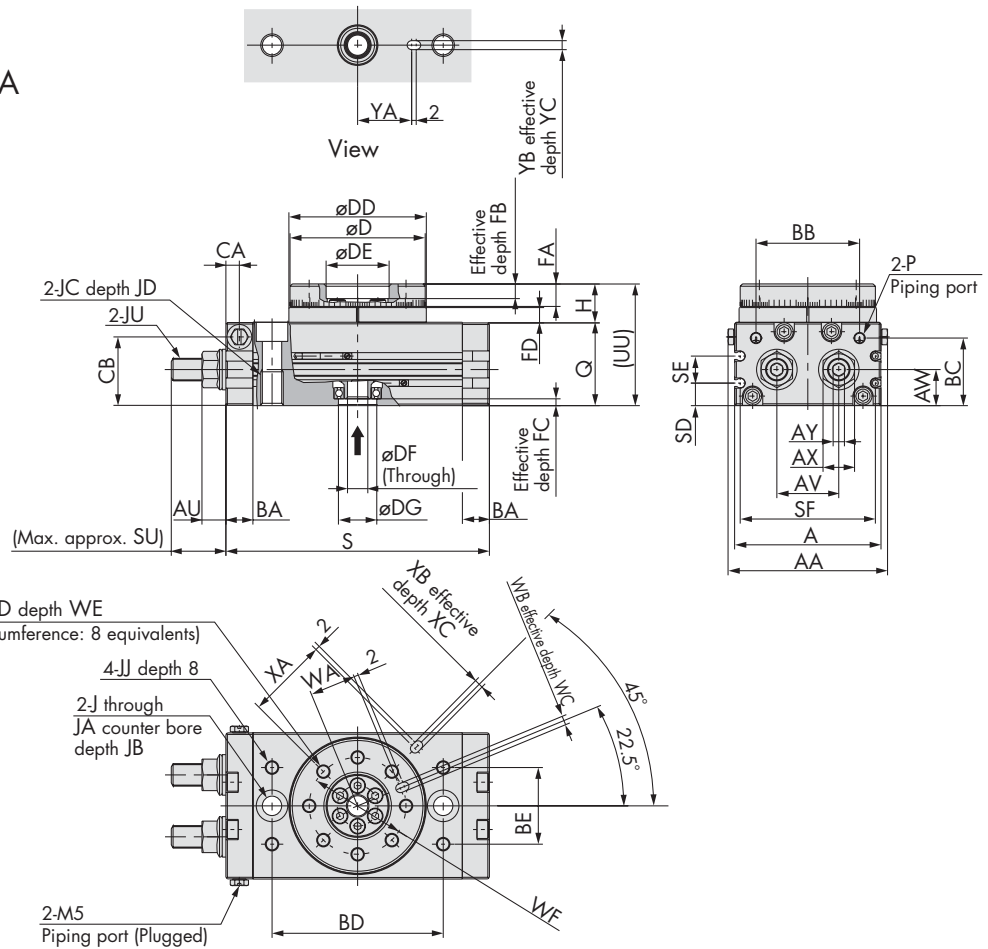
* High precision type series MSQA□ also available. Please refer Best Pneumatics catalogue.



High precision type/MSQA□

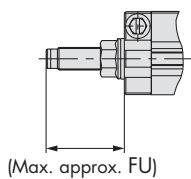
Dimensions/Size 10, 20, 30, 50

Basic type/MSQB□A

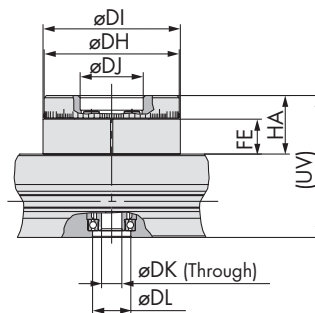


With internal shock absorber
MSQA□R
MSQB□R

High precision type
MSQA□A/With adjustment bolt
MSQA□R/With internal shock absorber



Size	FU (mm)
10	31.5
20	34.7
30	34.7
50	51.7



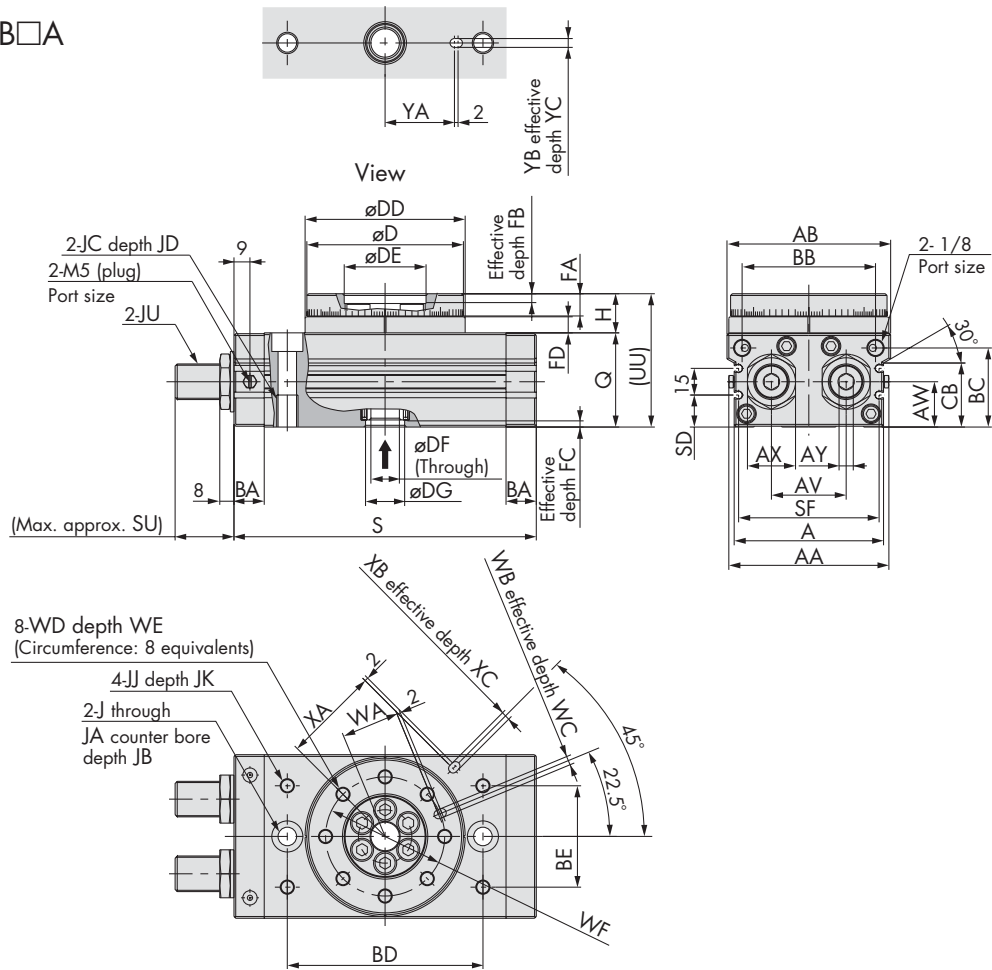
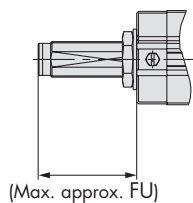
Size	DH	DI	DJ	DK	DL	FE	HA	UV (mm)
10	45h8	46h8	20H8	5	15H8	10	18.5	52.5
20	60h8	61h8	28H8	9	17H8	15.5	26	63
30	65h8	67h8	32H8	9	22H8	16.5	27	67
50	75h8	77h8	35H8	10	26H8	17.5	30	76

Size	AA	A	AU	AV	AW	AX	AY	BA	BB	BC	BD	BE	CA	CB	D	DD	DE	DF	DG	FA	FB	FC	FD	H	J	JA	JB
10	55.4	50	8.6	20	15.5	12	4	9.5	34.5	27.8	60	27	4.5	28.5	45h9	46h9	20H9	5	15H9	8	4	3	4.5	13	6.8	11	6.5
20	70.8	65	10.6	27.5	16	14	5	12	46	30	76	34	6	30.5	60h9	61h9	28H9	9	17H9	10	6	2.5	6.5	17	8.6	14	8.5
30	75.4	70	10.6	29	18.5	14	5	12	50	32	84	37	6.5	33.5	65h9	67h9	32H9	9	22H9	10	4.5	3	6.5	17	8.6	14	8.5
50	85.4	80	14	38	22	19	6	15.5	63	37.5	100	50	10	37.5	75h9	77h9	35H9	10	26H9	12	5	3	7.5	20	10.5	18	10.5

Size	JC	JD	JJ	JU	P	Q	S	SD	SE	SF	SU	UU	WA	WB	WC	WD	WE	WF	XA	XB	XC	YA	YB	YC
10	M8	12	M5	M8 x 1	M5	34	92	9	13	45	17.7	47	15	3H9	3.5	M5	8	32	27	3H9	3.5	19	3H9	3.5
20	M10	15	M6	M10 x 1	M5	37	117	10	12	60	25	54	20.5	4H9	4.5	M6	10	43	36	4H9	4.5	24	4H9	4.5
30	M10	15	M6	M10 x 1	1/8	40	127	11.5	14	65	25	57	23	4H9	4.5	M6	10	48	39	4H9	4.5	28	4H9	4.5
50	M12	18	M8	M14 x 1.5	1/8	46	152	14.5	15	75	31.4	66	26.5	5H9	5.5	M8	12	55	45	5H9	5.5	33	5H9	5.5

Dimensions/Size 70, 100, 200

Basic type/MSQB□A


 With shock absorber
MSQB□R


Size	FU
70	55.4
100	55.5
200	74.7

Size	AA	AB	A	AV	AW	AX	AY	BA	BB	BC	BD	BE	CB	D	DD	DE	DF	DG	FA	FB	FC	FD	H	J	JA	JB
70	90	92	84	42	25.5	27	8	17	75	44.5	110	57	36	88h9	90h9	46H9	16	22H9	12.5	5	3.5	9	22	10.4	17.5	10.5
100	101	102	95	50	29.5	27	8	17	85	50.5	130	66	42	98h9	100h9	56H9	19	24H9	14.5	6	3.5	12	27	10.4	17.5	10.5
200	119	120	113	60	36.5	36	10	24	103	65.5	150	80	57	116h9	118h9	64H9	24	32H9	16.5	9	5.5	15	32	14.2	20	12.5

Size	JC	JD	JJ	JK	JU	Q	S	SD	SF	SU	UU	WA	WB	WC	WD	WE	WF	XA	XB	XC	YA	YB	YC
70	M12	18	M8	10	M20 x 1.5	53	170	18	79	34.2	75	32.5	5H9	5.5	M8	12.5	67	54	5H9	3.5	39	5H9	3.5
100	M12	18	M8	10	M20 x 1.5	59	189	22	90	34.3	86	37.5	6H9	6.5	M10	14.5	77	59	6H9	4.5	49	6H9	4.5
200	M16	25	M12	13	M27 x 1.5	74	240	29	108	40.2	106	44	8H9	8.5	M12	16.5	90	69	8H9	4.5	54	8H9	6.5