

Pressure Gauges

Series **G15, G27, G36, GA36, G46, G33, G43**

General purpose Pressure Gauges

Image	Outside diameter	Model	Type	Indication precision ±% FS	Pressure range MPa	Connection thread	Material			Indication ⁽¹⁾ unit	Attachment ⁽²⁾
							Case	Clear cover	Stud		
	ø15	G15	Back side thread	5	0 to 1.0	R 1/8 M5 (Female thread)	Zinc die-cast (Black graphite coated)	Poly-carbonate	Zinc die-cast (Black graphite coated)	MPa	—
	ø26	G27	Back side thread		0 to 1.0					R 1/6	
	ø37.5	G36	Back side thread	3	0 to 0.2 0 to 0.4 0 to 0.7 0 to 1.0 0 to 1.5	R 1/8	Aluminum die-cast (Black disulfide molybdenum coated)	Poly-carbonate	Aluminum die-cast (Black disulfide molybdenum coated)	MPa	—
	ø42.5	G46	Back side thread	3	0 to 0.2 0 to 0.4 0 to 0.7 0 to 1.0 0 to 1.5	R 1/8 R 1/4	Aluminum die-cast (Black disulfide molybdenum coated)	Poly-carbonate	Aluminum die-cast (Black disulfide molybdenum coated)	MPa	Cover ring assembly
	ø30	G33	Back side thread	3	0 to 0.2 0 to 0.3 0 to 0.4 0 to 0.6	R 1/8	Stainless steel	Glass	Brass	MPa	—
	ø43	G43	Back side thread		0 to 0.7 0 to 1.0						

Note 1) Please consult with SMC for other scale indication units and connecting thread "NPT".
 Note 2) Possible for use in panel mounting.

Differential Pressure Gauge

	ø40	GD40	Dual Ported	±3%	0 to 0.2	R 1/8 + 1/8	Zinc die-cast	Chloro-ethylene	Brass	MPa	—
--	-----	------	-------------	-----	----------	-------------	---------------	-----------------	-------	-----	---

Also Available

(For more information on these products, see Best Pneumatics Vol. 14)

<p>G46E Oil-free/External Parts Copper-free Pressure Gauge With limit indicator</p>	<p>G49 Pressure Gauge for Clean Series (10-Series)</p>	<p>G46-□-SRA, B Pressure Gauge for Clean Regulator With limit indicator</p>
--	---	--

Air Preparation

Miniature Pressure Gauge

Series **G15, G27** O.D.: $\phi 15$ $\phi 26$



G15-10-01



G27-10-R1

Specifications

Model	G15	G27
Type	Back side thread	
Port size ⁽¹⁾	R 1/8: M5 (Female thread)	R 1/16
Fluid ⁽²⁾	Air	
Indication precision	±5% F.S. (Full span)	
Material	Case (Surface treatment)	Zinc die-cast (Black graphite coated)
	Clear cover	Polycarbonate
	Stud (Surface treatment)	Zinc die-cast (Black graphite coated)
	Bourdon tube	Brass
Weight (kg)	0.01	0.015
Applicable model	ARM1000/2000	AC1000, AR1000, AW1000

Model (Standard)

Model	Pressure range ^{Note)}	Indication unit	Connection thread
	(MPa)		
G15-10-01	0 to 1.0	MPa	R 1/8, M5 (Female thread)
G27-10-R1	0 to 1.0	MPa	R 1/16
G27-10-M5-X201	0 to 1.0	MPa	M5 (Female thread)

How to Order

G 15 — 10 — 01 — X201

- G 15**: Pressure gauge
- 10**: Size
- 01**: Connection thread
- X201**: Option

Symbol	Size
15	$\phi 15$
27	$\phi 26$

Symbol	Size
01	R 1/8: M5 (Female thread) (G15 only)
R1	R 1/16 (G27 only)

Symbol	Specifications
Nil	—
X201	M5 (Female thread) G27 only

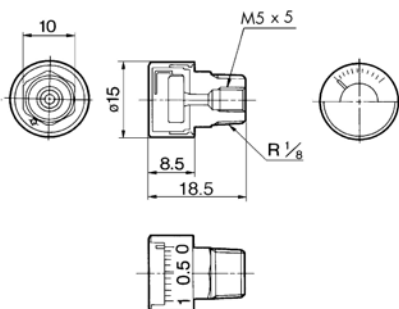
Max. display pressure

Symbol	Unit: MPa
10	0.1

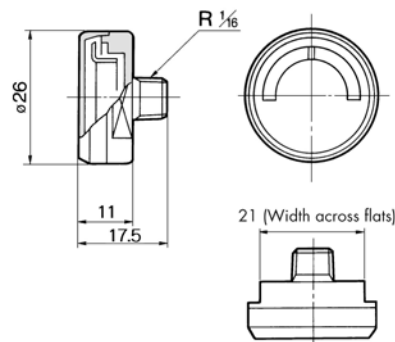
Pressure other than 1.0 MPa is not available.

Dimensions

G15



G27



General Purpose Pressure Gauge $\frac{1}{8}$ entry (with Limit Indicator)

O.D.: $\phi 37$

Series **G36**

Specifications

Type	Centreback thread	
Port size ⁽¹⁾	R $\frac{1}{8}$	
Fluid ⁽²⁾	Air	
Indication precision	$\pm 3\%$ F.S. (Full span)	
Material	Case (Surface treatment)	Aluminum die-cast (Black disulfide molybdenum coat treated)
	Clear cover	Polycarbonate (Part no.: G36-00-00-3)
	Stud (Surface treatment)	Aluminum die-cast (Black disulfide molybdenum coat treated)
	Bourdon tube	Brass
Weight (kg)	0.04	

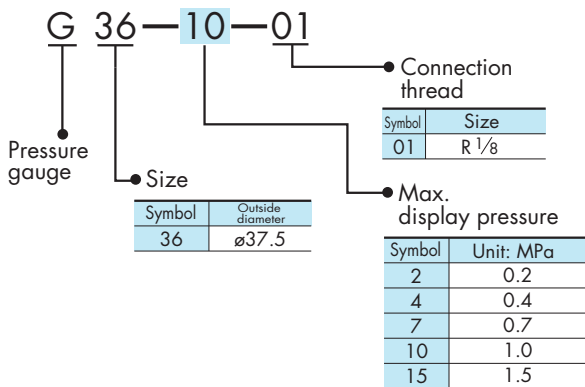


G36-10-01

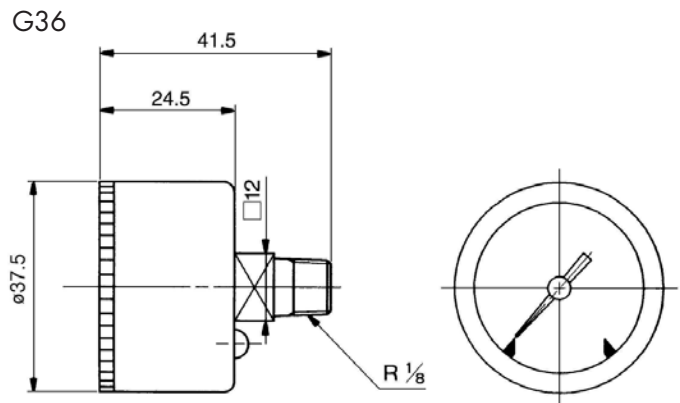
Models (Standard)

Model	Pressure range ^{Note)}	Indication unit	Connection thread	Note
	MPa			
G36-2-01	0 to 0.2	MPa	R $\frac{1}{8}$	—
G36-4-01	0 to 0.4			
G36-7-01	0 to 0.7			
G36-10-01	0 to 1.0			
G36-15-01	0 to 1.5			

How to Order



Dimensions



Air Preparation

General Purpose Pressure Gauge $\frac{1}{8}$, $\frac{1}{4}$ entry (with Limit Indicator)

 O.D.: $\varnothing 42$


Series **G46**

Specifications

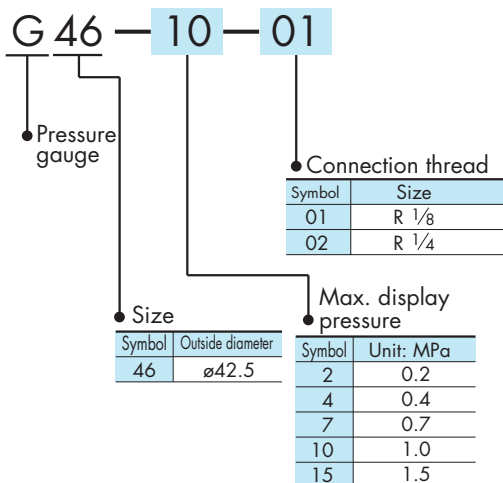
Type	Back side thread	
Port size ⁽¹⁾	R 1/8, R 1/4	
Fluid ⁽²⁾	Air	
Indication precision	$\pm 3\%$ F.S. (Full span)	
Material	Case (Surface treatment)	Aluminum die-cast (Black disulfide molybdenum coated)
	Clear cover	Polycarbonate (Part no.: G46-00-00-3)
	Stud (Surface treatment)	Aluminum die-cast (Black disulfide molybdenum coated)
	Bourdon tube	Brass
Weight (kg)	0.05	
Panel Mounting kit With cover ring assembly	C	Part no.: 1305104-1A
	C1	Part no.: 1305104-3A

Models (Standard)

Model	Pressure range ^{Note)}	Indication unit	Connection thread	Note
	MPa			
G46-2-01/02	0 to 0.2	MPa	R $\frac{1}{8}$, $\frac{1}{4}$	—
G46-4-01/02	0 to 0.4			
G46-7-01/02	0 to 0.7			
G46-10-01/02	0 to 1.0			
G46-15-01/02	0 to 1.5			

Note) Do not apply pressure more than the maximum display pressure. This will cause a malfunction.

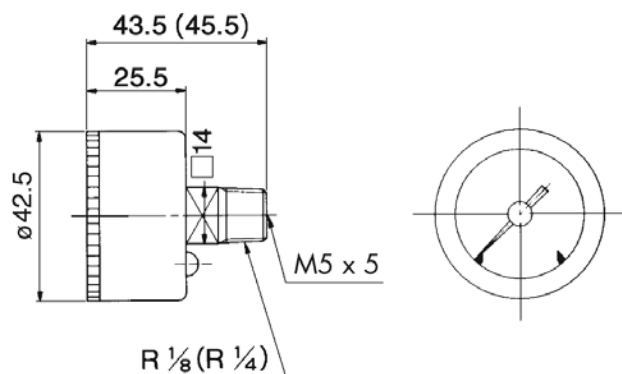
How to Order



Dimensions

The dimensions in (): Connecting thread R 1/4

G46



Stainless Cased Pressure Gauge $\frac{1}{8}$ entry

Series **G33**

O.D.: $\varnothing 30$

Specifications

Model	G33	
Type	Centreback thread	
Port size	R $\frac{1}{8}$	
Fluid	Air	
Indication precision	$\pm 3\%$ F.S. (Full span)	
Material	Case	Stainless steel
	Clear cover	Glass
	Stud	Brass
	Bourdon tube	Brass



Model (Standard)

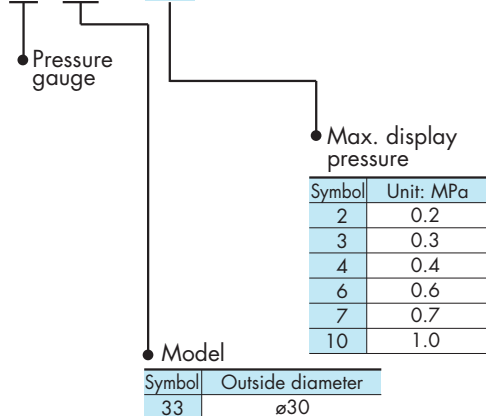
Model	Pressure range ^{Note)}	Indication unit	Connection thread	Note
	MPa			
G33-2-01	0 to 0.2	MPa	R $\frac{1}{8}$	—
G33-3-01	0 to 0.3			
G33-4-01	0 to 0.4			
G33-6-01	0 to 0.6			
G33-10-01	0 to 1.0			

NOTE: Can be used for general applications, but these are designed for use with instrumentation equipment, i.e. ITV and IR Regulators. Stainless case but brass welded parts so use for clean air only.

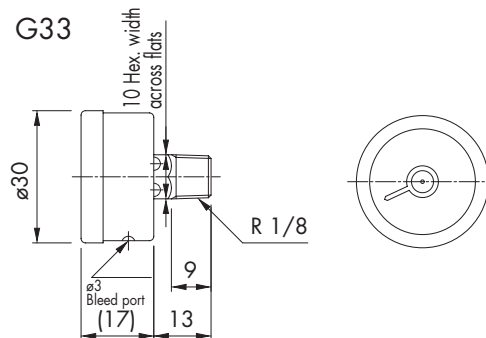
Note) Do not apply pressure more than the maximum display pressure. This will cause a malfunction.

How to Order

G 33-10-01



Dimensions



G33-□□-01

Air Preparation

Stainless cased Pressure Gauge $\frac{1}{8}, \frac{1}{4}$ entry

Series **G43**

 O.D.: $\varnothing 43$


G43-10-01

Specifications

Type	Back side thread	
Port size ⁽¹⁾	R $\frac{1}{8}$, R $\frac{1}{4}$	
Fluid ⁽²⁾	Air	
Indication precision	$\pm 3\%$ F.S. (Full span)	
Material	Case	Stainless steel
	Clear cover	Glass
	Stud	Brass
	Bourdon tube	Brass

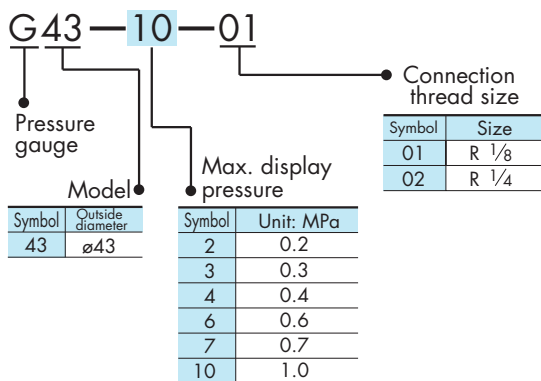
Model (Standard)

Model	Pressure range ^(Note)	Indication unit	Connection thread
	MPa		
G43-2-01 to 02	0 to 0.2	MPa	R $\frac{1}{8}$, R $\frac{1}{4}$
G43-4-01 to 02	0 to 0.4		R $\frac{1}{8}$
G43-6-01	0 to 0.6		R $\frac{1}{8}$, R $\frac{1}{4}$
G43-7-01 to 02	0 to 0.7		
G43-10-01 to 02	0 to 1.0		

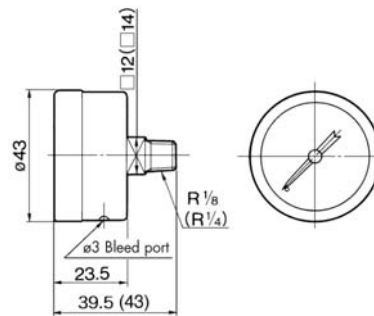
Note) Do not apply pressure more than the maximum display pressure. This will cause a malfunction.

NOTE: Can be used for general applications, but these are designed for use with instrumentation equipment, i.e. ITV and IR Regulators. Stainless case but brass welded parts so use for clean air only.

How to Order



Dimensions



The dimensions in (): Connecting thread R $\frac{1}{4}$



Differential Pressure Gauge

Series **GD40**

Features

- Measures a differential pressure accurately.
- Maximum differential 0.2 MPa (2 bar/29psi).
- Ideally suited to monitor filter element clogging.
- Compact design, simple to install.
- Tapped back for panel mounting.
- Two 1/8 ports for connection.



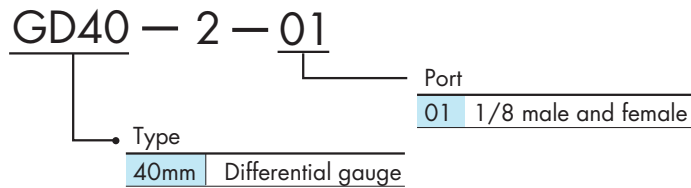
Specifications

Fluid	Compressed air
Max. operating pressure	1 MPa
Proof pressure	1.5 MPa
Ambient and fluid temperature	5 to 60°C
Port size	1/8
Scale range	0 to 0.2 MPa
Accuracy	±0.006 MPa
Dial size	40
Weight (g)	300

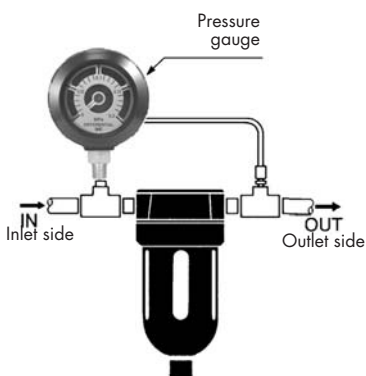
Symbol



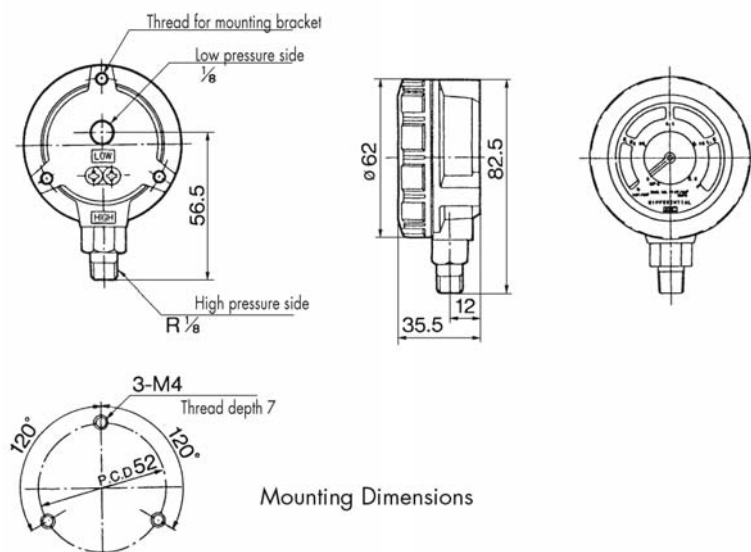
How to Order



Piping Example



Dimensions



Air Preparation