

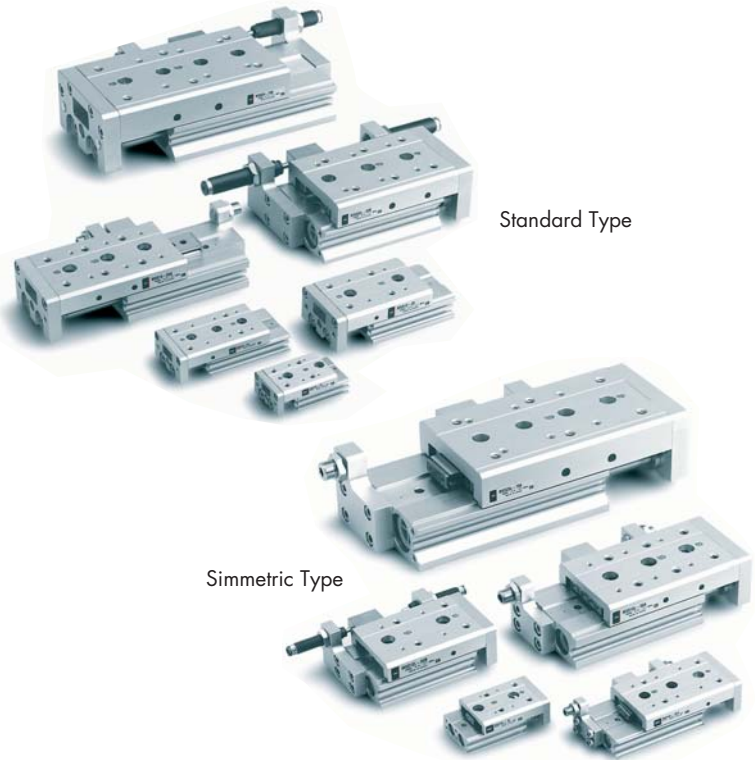
# Air Slide Table

## Series **MXS**

ø6, ø8, ø12, ø16, ø20, ø25

### Features

- ➔ Work table and air cylinder are integrated. Air slide table is ideal for precise assembly.
- ➔ Improved workpiece mounting repeatability.
- ➔ Wide variety of options: Adjuster option, with stroke adjuster, with shock absorber, etc.
- ➔ Shock absorber and symmetric types are released.



### Specifications

Bore size (mm)	6	8	12	16	20	25
Piping port size	M3	M5		1/8		
Fluid	Air					
Action	Double acting					
Operating pressure	0.15 to 0.7 MPa					
Proof pressure	1.05 MPa					
Ambient and fluid temperature	-10 to 60°C					
Piston speed	50 to 500 mm/s					
Cushion	Rubber bumper (Standard, With stroke adjuster) Shock absorber (Option)					
Lubrication	Non-lube					
Auto switch (Option)	Reed switch D-A9□ Solid state switch (2-wire, 3-wire) D-M9□ 2-colour indication solid state switch (2-wire, 3-wire) D-F9□					
Stroke length tolerance	$^{+1}_0$ mm					

### Further functional options available

Please contact us.

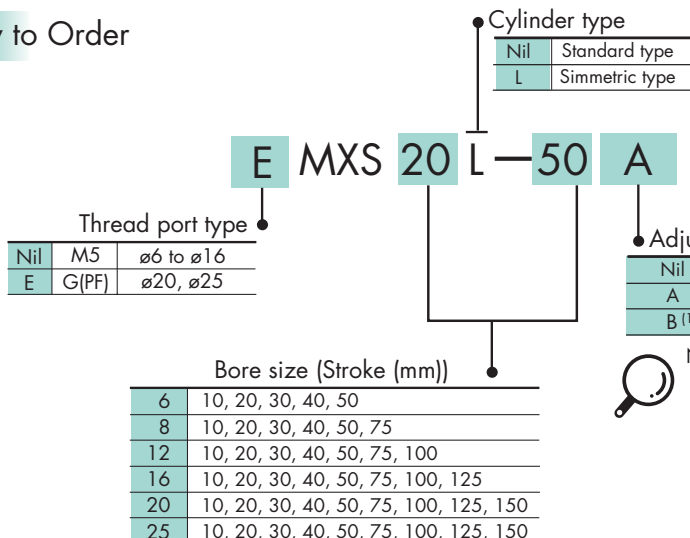


With buffer mechanism



With end lock

### How to Order

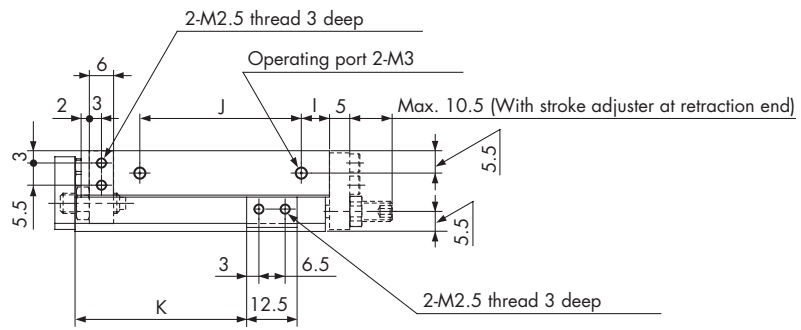
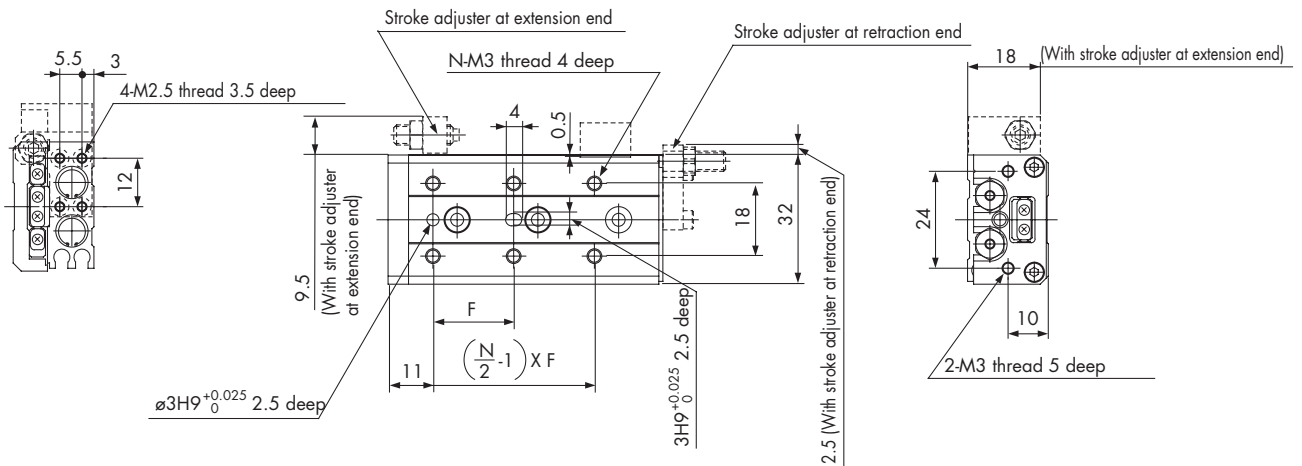
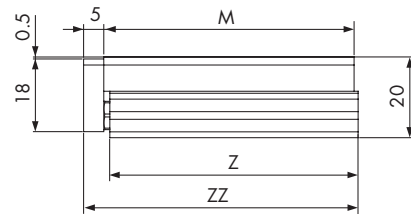
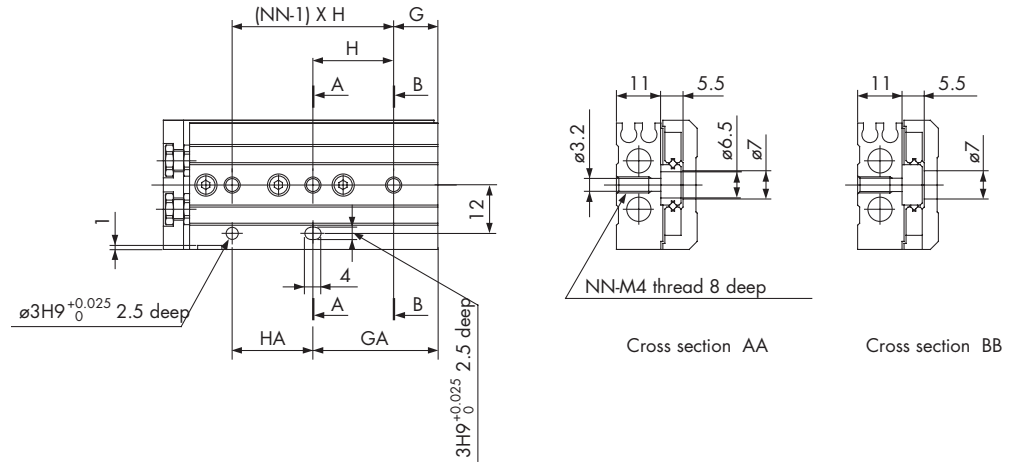


➔ Auto Switch Specifications  
Refer to switch section.

Note 1) W/ Shock absorber is not available in Series MXS6L.

Dimensions: MXS6: Standard type

Basic style

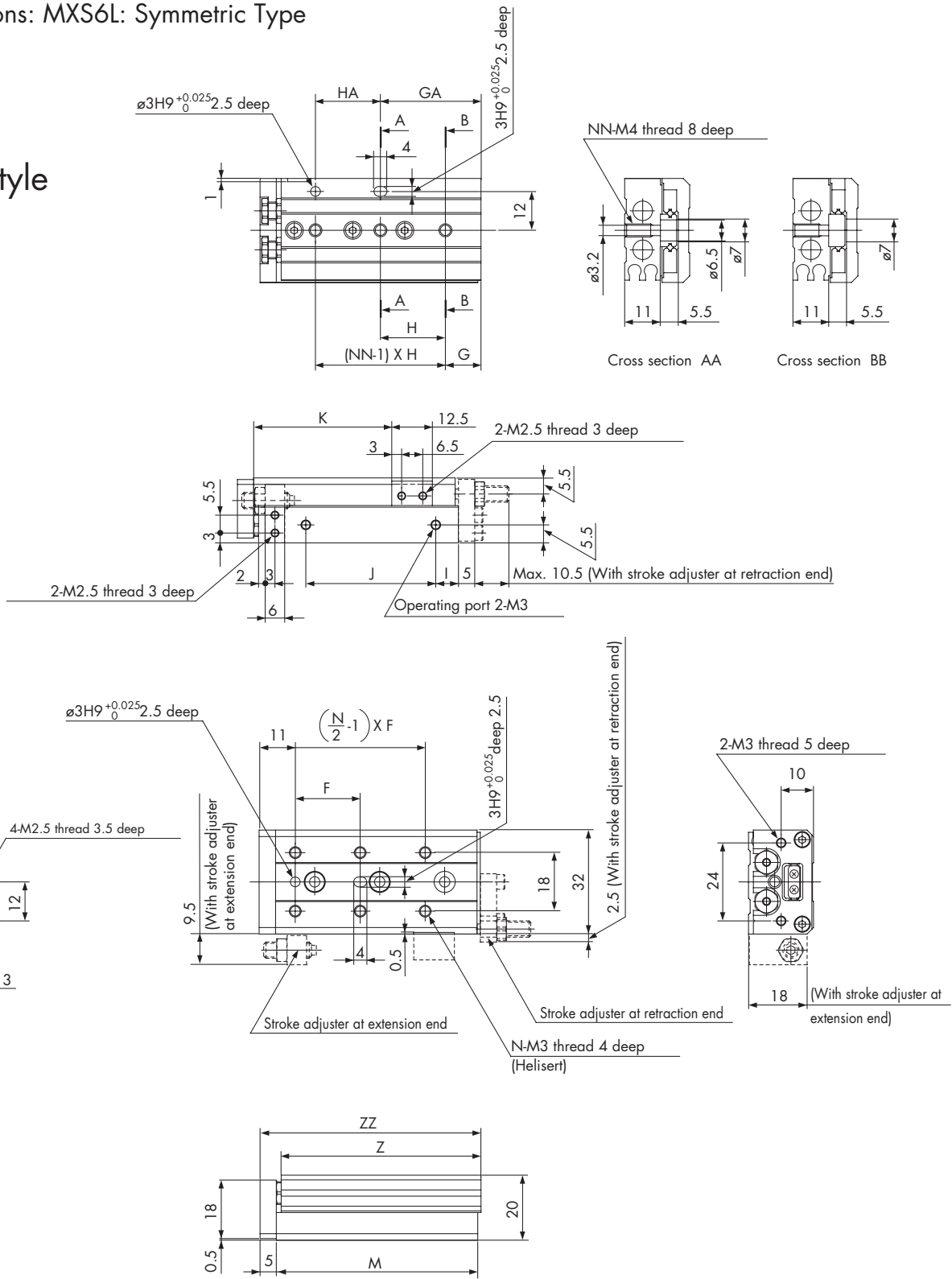


Model	F	N	G	H	NN	GA	HA	I	J	K	M	Z	ZZ
MXS6-10	20	4	6	25	2	11	20	10	17	22.5	42	41.5	48
MXS6-20	30	4	6	35	2	21	20	10	27	32.5	52	51.5	58
MXS6-30	20	6	11	20	3	31	20	7	40	42.5	62	61.5	68
MXS6-40	28	6	13	30	3	43	30	19	50	52.5	84	83.5	90
MXS6-50	38	6	17	24	4	41	48	25	60	62.5	100	99.5	106

(mm)

## Dimensions: MXS6L: Symmetric Type

Basic style



Model	F	N	G	H	NN	GA	HA	I	J	K	M	Z	ZZ
MXS6L-10	20	4	6	25	2	11	20	10	17	22.5	42	41.5	48
MXS6L-20	30	4	6	35	2	21	20	10	27	32.5	52	51.5	58
MXS6L-30	20	6	11	20	3	31	20	7	40	42.5	62	61.5	68
MXS6L-40	28	6	13	30	3	43	30	19	50	52.5	84	83.5	90
MXS6L-50	38	6	17	24	4	41	48	25	60	62.5	100	99.5	106

(mm)

Actuators



CAD CD-ROM AVAILABLE



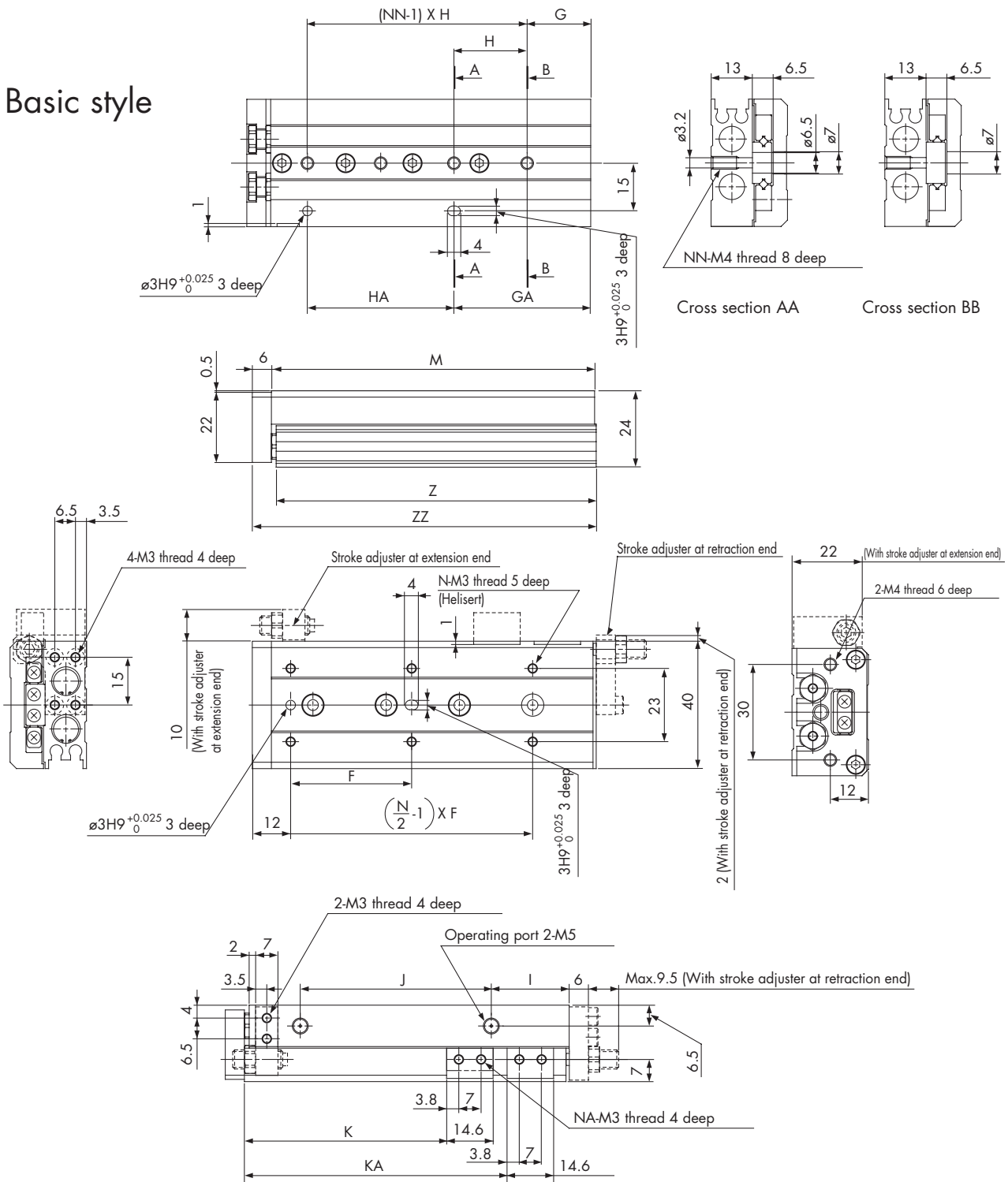
CATALOGUE ES20-70F AVAILABLE



PDF AVAILABLE ONLINE

Dimensions: MXS8: Standard type

Basic style

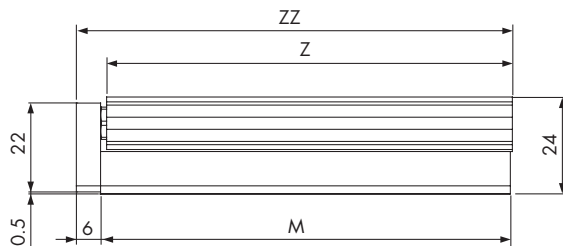
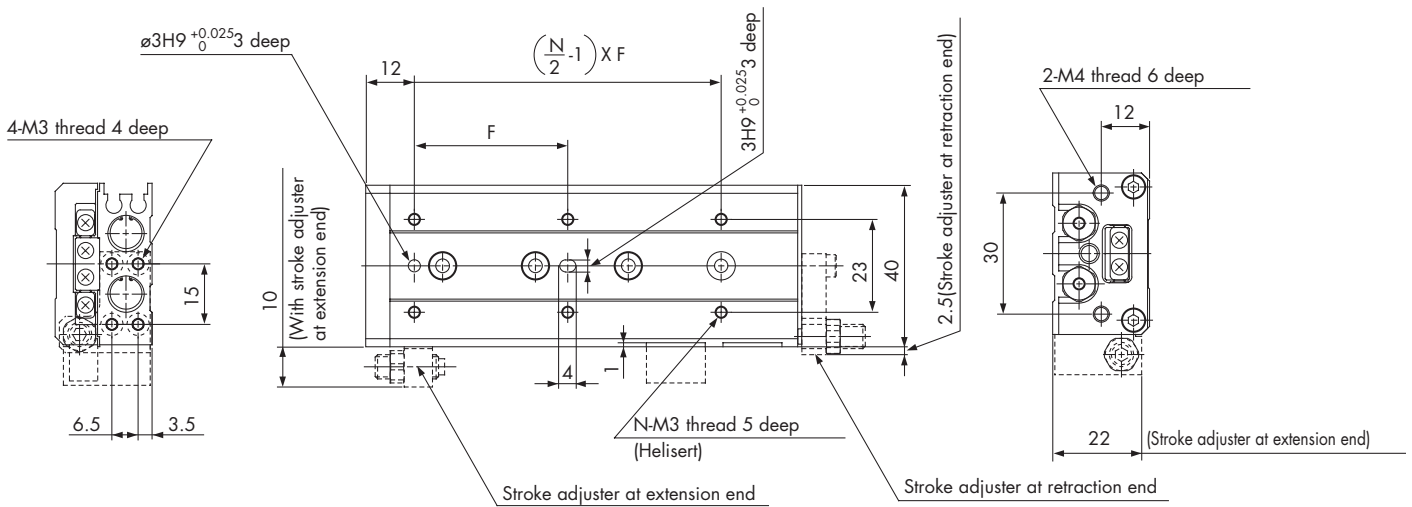
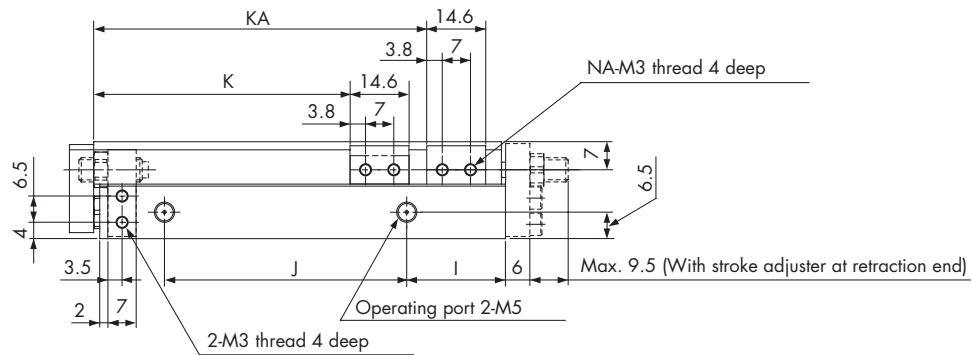
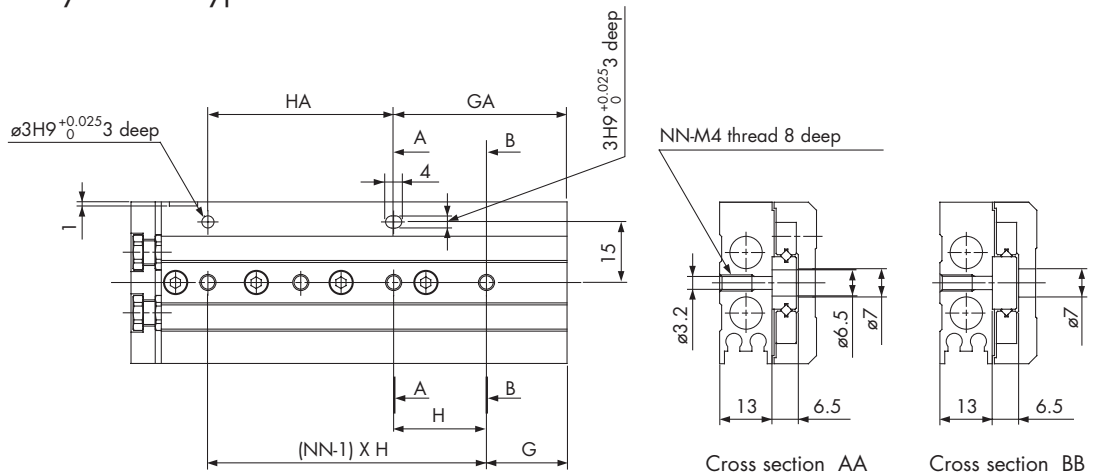


(mm)

Model	F	N	G	H	NN	GA	HA	I	J	K	KA	NA	M	Z	ZZ
MXS8-10	25	4	9	28	2	17	20	13	19.5	23.5	—	2	49	48.5	56
MXS8-20	25	4	12	30	2	12	30	8.5	29	33.5	—	2	54	53.5	61
MXS8-30	40	4	13	20	3	33	20	9.5	39	43.5	—	2	65	64.5	72
MXS8-40	50	4	15	28	3	43	28	10.5	56	53.5	—	2	83	82.5	90
MXS8-50	38	6	20	23	4	43	46	24.5	60	63.5	82.5	4	101	100.5	108
MXS8-75	50	6	27	28	5	83	56	38.5	96	88.5	132.5	4	151	150.5	158

## Dimensions: MXS8L: Symmetric Type

## Basic style

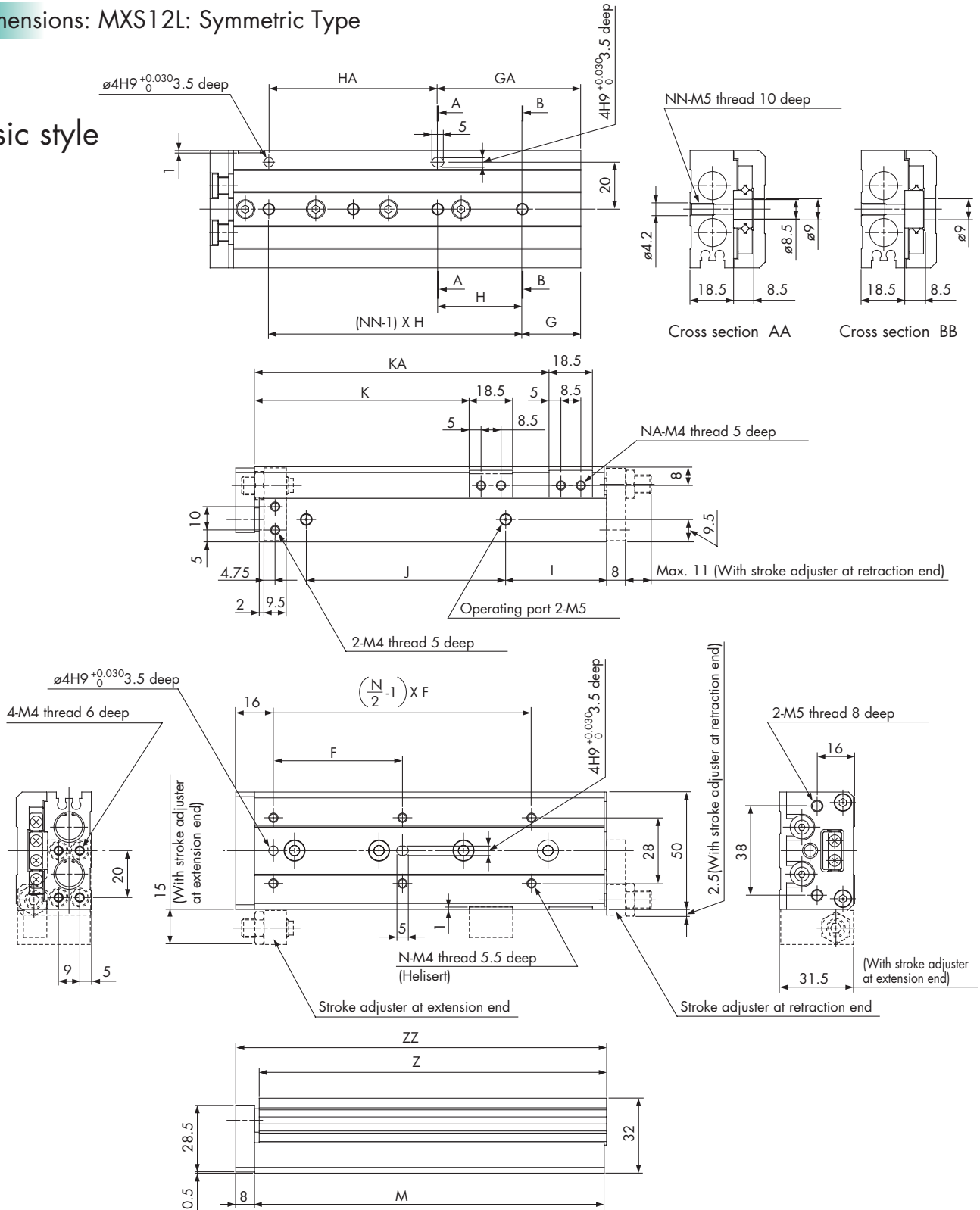


Model	F	N	G	H	NN	GA	HA	I	J	K	KA	NA	M	Z	ZZ
MXS8L-10	25	4	9	28	2	17	20	13	19.5	23.5	—	2	49	48.5	56
MXS8L-20	25	4	12	30	2	12	30	8.5	29	33.5	—	2	54	53.5	61
MXS8L-30	40	4	13	20	3	33	20	9.5	39	43.5	—	2	65	64.5	72
MXS8L-40	50	4	15	28	3	43	28	10.5	56	53.5	—	2	83	82.5	90
MXS8L-50	38	6	20	23	4	43	46	24.5	60	63.5	82.5	4	101	100.5	108
MXS8L-75	50	6	27	28	5	83	56	38.5	96	88.5	132.5	4	151	150.5	158



## Dimensions: MXS12L: Symmetric Type

## Basic style



(mm)

Model	F	N	G	H	NN	GA	HA	I	J	K	KA	NA	M	Z	ZZ
MXS12L-10	35	4	15	40	2	15	40	10	40	26.5	—	2	71	70	80
MXS12L-20	35	4	15	40	2	15	40	10	40	36.5	—	2	71	70	80
MXS12L-30	35	4	15	40	2	15	40	10	40	46.5	—	2	71	70	80
MXS12L-40	50	4	17	25	3	42	25	10	52	56.5	—	2	83	82	92
MXS12L-50	35	6	15	36	3	51	36	22	60	66.5	—	2	103	102	112
MXS12L-75	55	6	25	36	4	61	72	43	85	91.5	125.5	4	149	148	158
MXS12L-100	65	6	35	38	5	111	76	52	130	116.5	179.5	4	203	202	212



CAD CD-ROM AVAILABLE



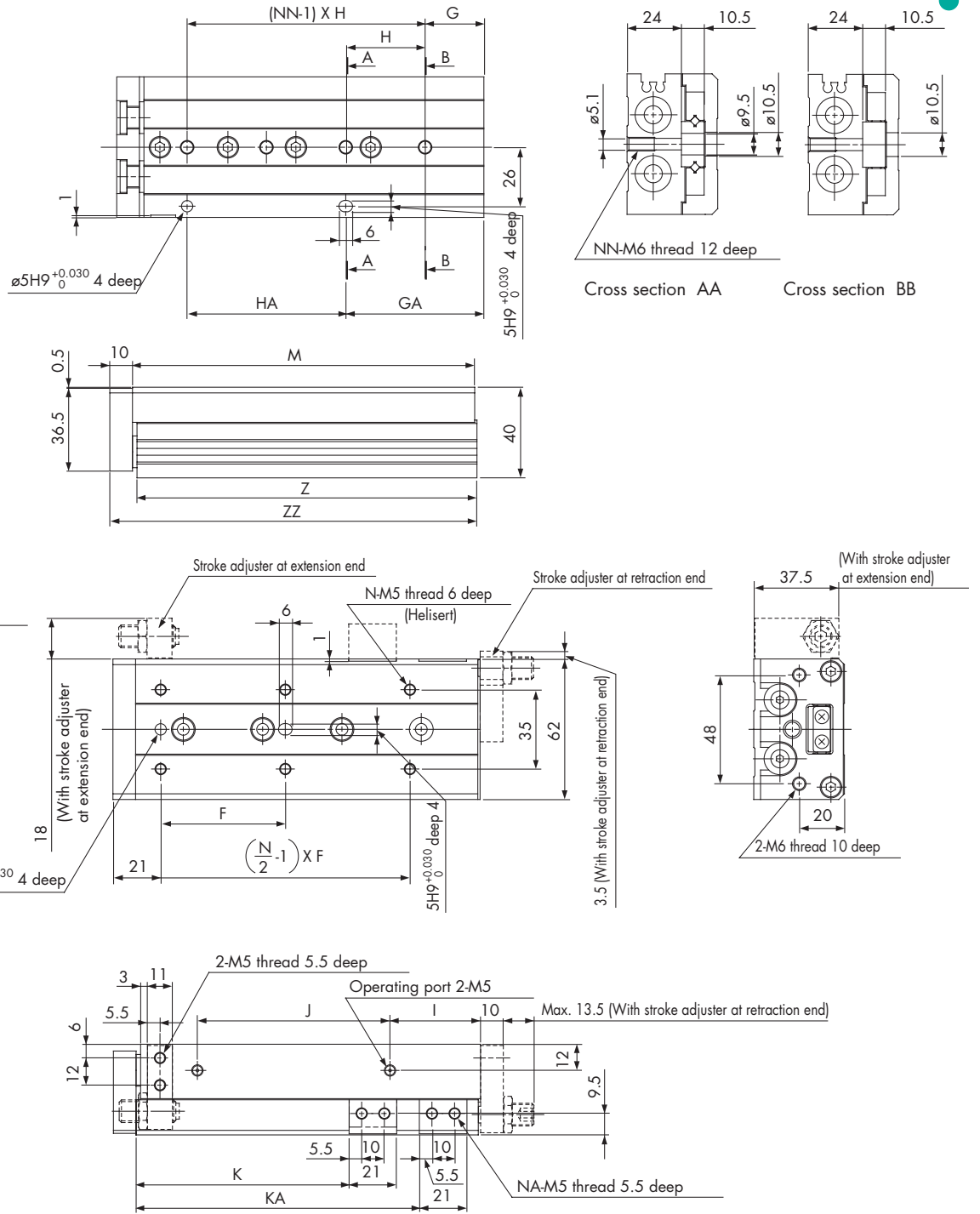
CATALOGUE E520-70F AVAILABLE



PDF AVAILABLE ONLINE

Dimensions: MXS16: Standard type

Basic style



Model	F	N	G	H	NN	GA	HA	I	J	K	KA	NA	M	Z	ZZ
MXS16-10	35	4	16	40	2	16	40	10	40	29	—	2	76	75	87
MXS16-20	35	4	16	40	2	16	40	10	40	39	—	2	76	75	87
MXS16-30	35	4	16	40	2	16	40	10	40	49	—	2	76	75	87
MXS16-40	40	4	16	50	2	16	50	10	50	59	—	2	86	85	97
MXS16-50	30	6	21	30	3	51	30	15	60	69	—	2	101	100	112
MXS16-75	55	6	26	35	4	61	70	40	85	94	125	4	151	150	162
MXS16-100	65	6	39	35	5	109	70	55	118	119	173	4	199	198	210
MXS16-125	70	8	19	35	7	159	70	68	155	144	223	4	249	248	260

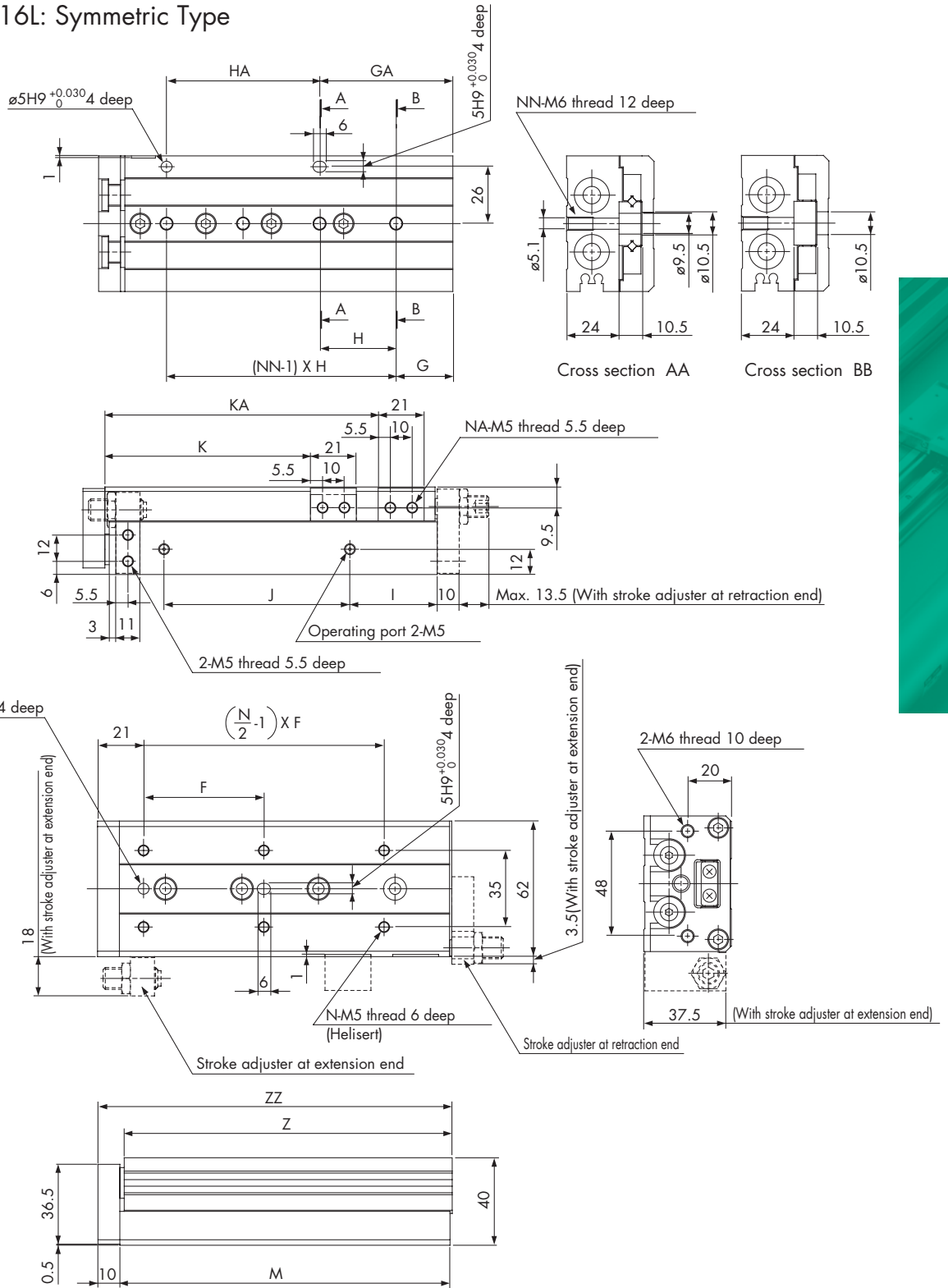
(mm)

Actuators



## Dimensions: MXS16L: Symmetric Type

## Basic style



(mm)

Model	F	N	G	H	NN	GA	HA	I	J	K	KA	NA	M	Z	ZZ
MXS16L-10	35	4	16	40	2	16	40	10	40	29	—	2	76	75	87
MXS16L-20	35	4	16	40	2	16	40	10	40	39	—	2	76	75	87
MXS16L-30	35	4	16	40	2	16	40	10	40	49	—	2	76	75	87
MXS16L-40	40	4	16	50	2	16	50	10	50	59	—	2	86	85	97
MXS16L-50	30	6	21	30	3	51	30	15	60	69	—	2	101	100	112
MXS16L-75	55	6	26	35	4	61	70	40	85	94	125	4	151	150	162
MXS16L-100	65	6	39	35	5	109	70	55	118	119	173	4	199	198	210
MXS16L-125	70	8	19	35	7	159	70	68	155	144	223	4	249	248	260



CAD CD-ROM AVAILABLE



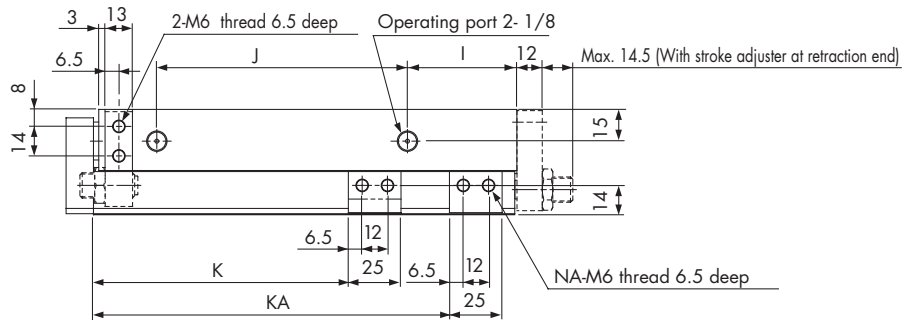
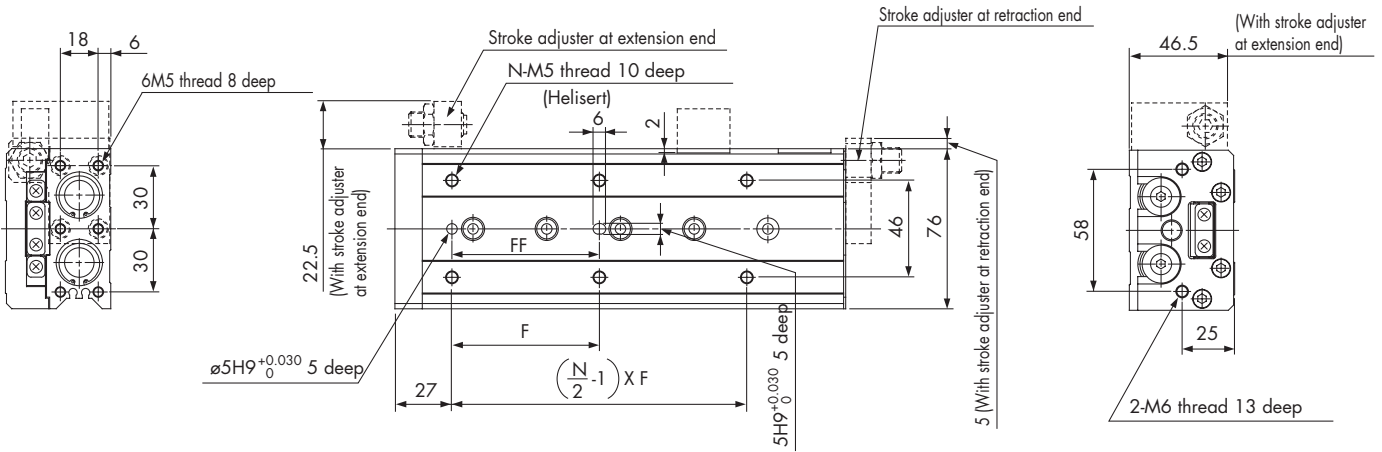
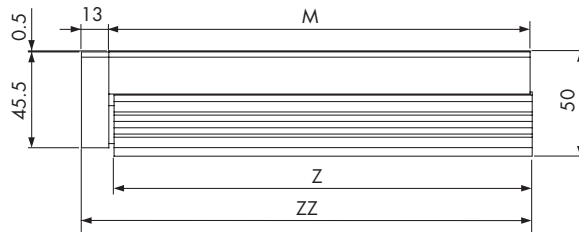
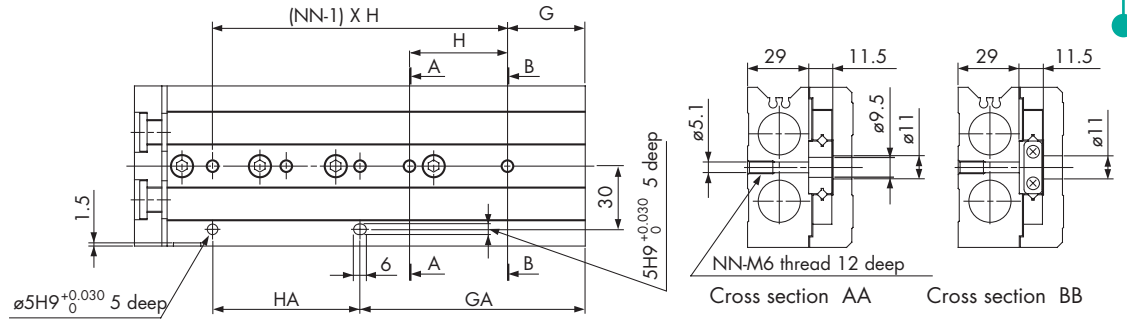
CATALOGUE ES20-70F AVAILABLE



PDF AVAILABLE ONLINE

Dimensions: MXS20: Standard type

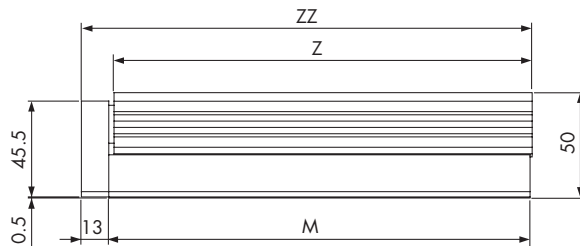
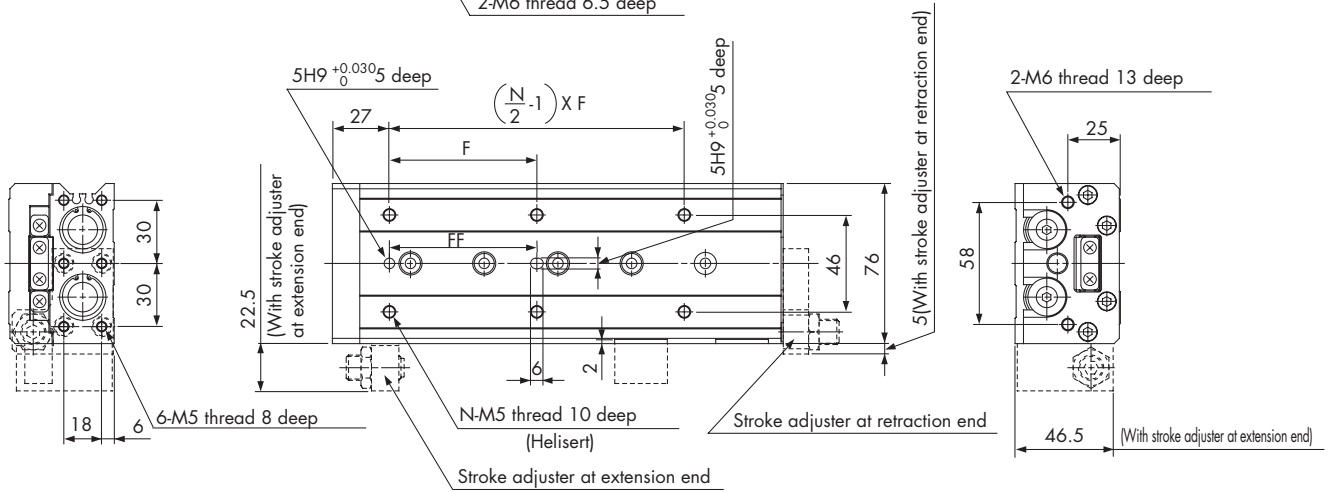
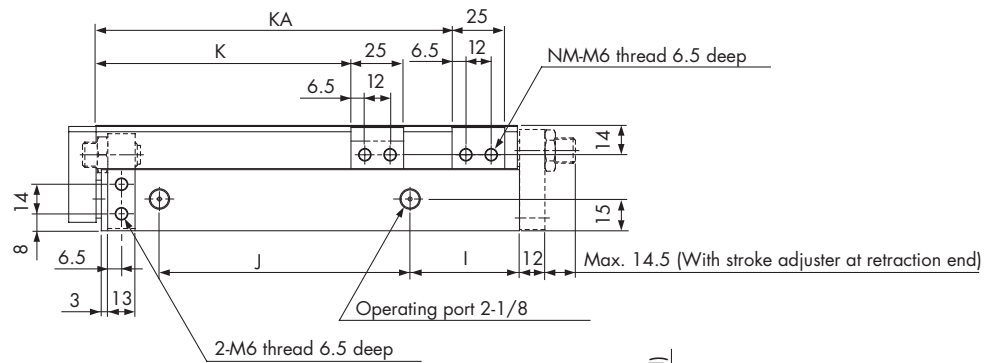
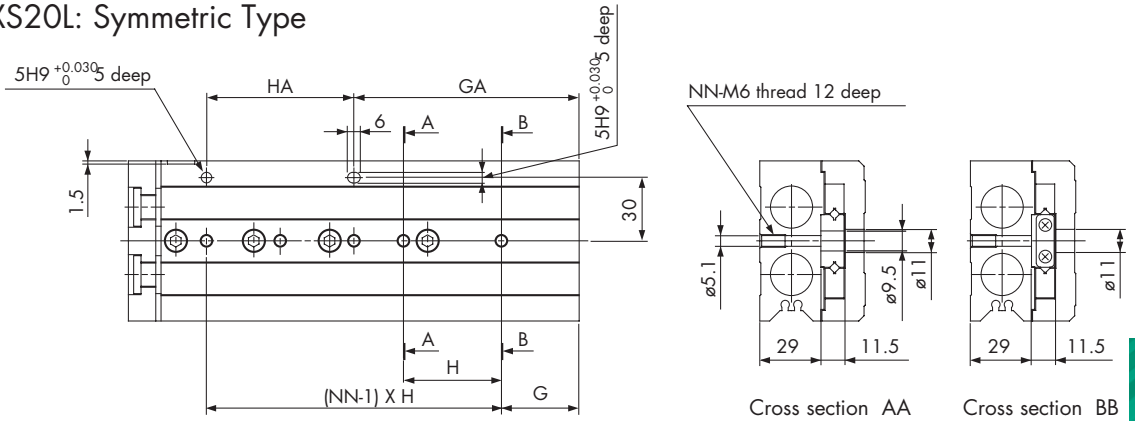
Basic style



Model	F	FF	N	G	H	NN	GA	HA	I	J	K	KA	NA	M	Z	ZZ
MXS20-10	50	40	4	15	45	2	25	35	10	44	31	—	2	83	81.5	97
MXS20-20	50	40	4	15	45	2	25	35	10	44	41	—	2	83	81.5	97
MXS20-30	50	40	4	15	45	2	25	35	10	44	51	—	2	83	81.5	97
MXS20-40	60	50	4	15	55	2	35	35	10	54	61	—	2	93	91.5	107
MXS20-50	35	35	6	15	35	3	50	35	10	69	71	—	2	108	106.5	122
MXS20-75	60	60	6	19	35	4	54	70	10	108	96	—	2	147	145.5	161
MXS20-100	70	70	6	37	35	5	107	70	58	113	121	169	4	200	198.5	214
MXS20-125	70	70	8	41	38	6	155	76	70	155	146	223	4	254	252.5	268
MXS20-150	80	80	8	19	44	7	195	88	87	190	171	275	4	306	304.5	320

## Dimensions: MXS20L: Symmetric Type

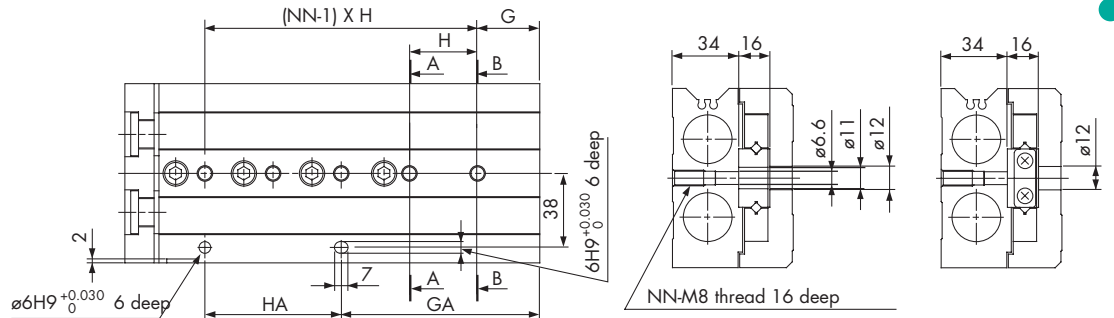
Basic style



Model	F	FF	N	G	H	NN	GA	HA	I	J	K	KA	NA	M	Z	ZZ
MXS20L-10	50	40	4	15	45	2	25	35	10	44	31	—	2	83	81.5	97
MXS20L-20	50	40	4	15	45	2	25	35	10	44	41	—	2	83	81.5	97
MXS20L-30	50	40	4	15	45	2	25	35	10	44	51	—	2	83	81.5	97
MXS20L-40	60	50	4	15	55	2	35	35	10	54	61	—	2	93	91.5	107
MXS20L-50	35	35	6	15	35	3	50	35	10	69	71	—	2	108	106.5	122
MXS20L-75	60	60	6	19	35	4	54	70	10	108	96	—	2	147	145.5	161
MXS20L-100	70	70	6	37	35	5	107	70	58	113	121	169	4	200	198.5	214
MXS20L-125	70	70	8	41	38	6	155	76	70	155	146	223	4	254	252.5	268
MXS20L-150	80	80	8	19	44	7	195	88	87	190	171	275	4	306	304.5	320

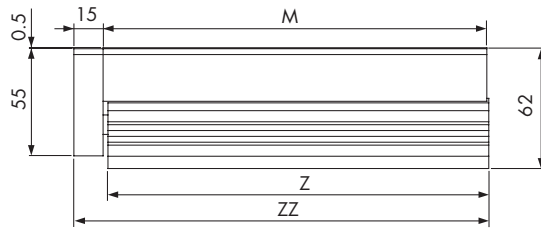
Dimensions: MXS25: Standard type

Basic style

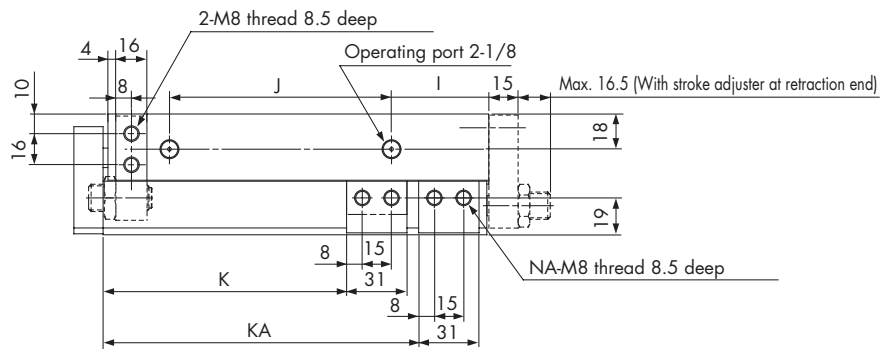
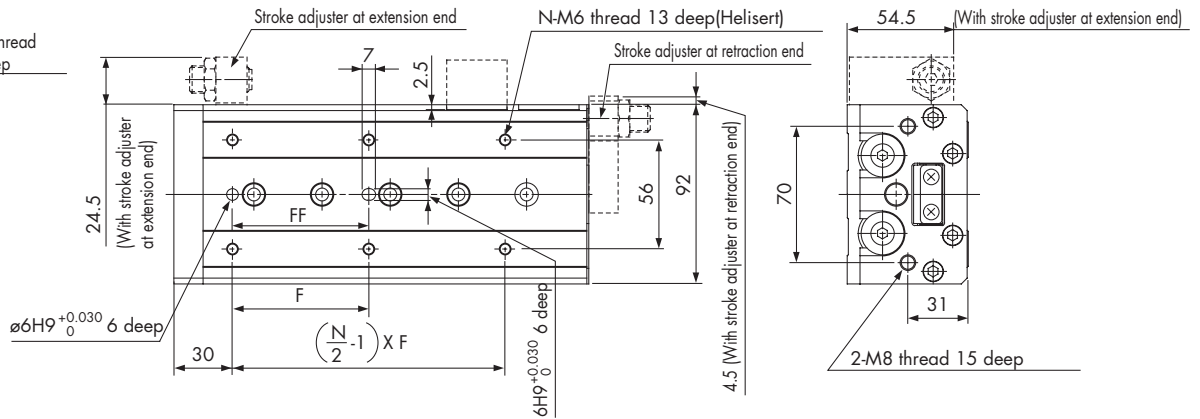
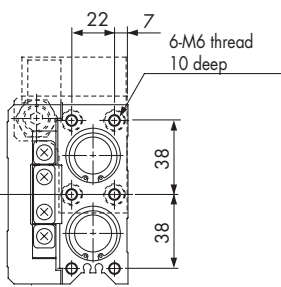


Cross section AA

Cross section BB



Actuators

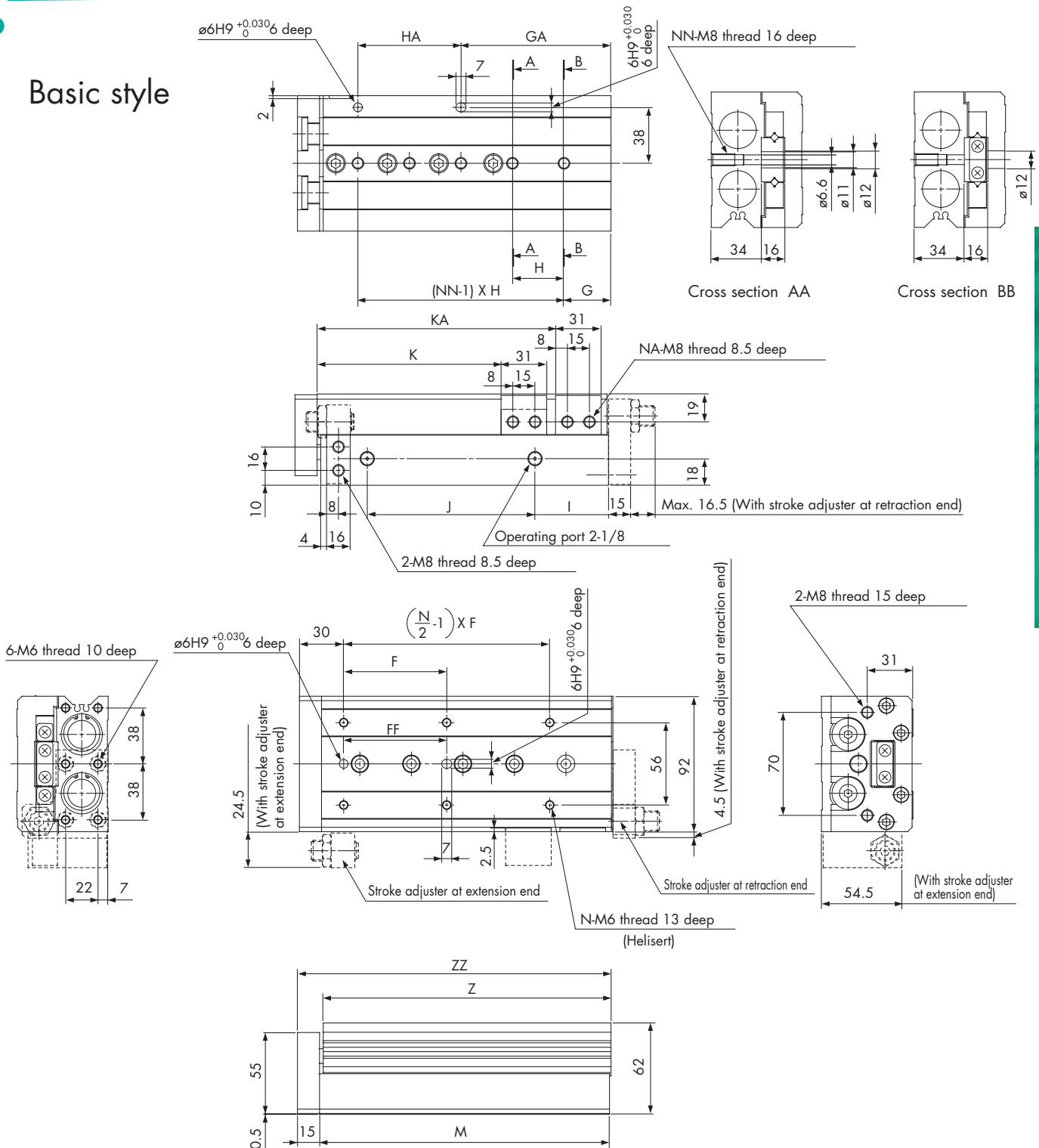


(mm)

Model	F	FF	N	G	H	NN	GA	HA	I	J	K	KA	NA	M	Z	ZZ
MXS25-10	50	40	4	22	45	2	22	45	12	47	35	—	2	92	90.5	108
MXS25-20	50	40	4	22	45	2	22	45	12	47	45	—	2	92	90.5	108
MXS25-30	50	40	4	22	45	2	22	45	12	47	55	—	2	92	90.5	108
MXS25-40	60	50	4	22	55	2	22	55	12	57	65	—	2	102	100.5	118
MXS25-50	35	35	6	20	35	3	55	35	12	70	75	—	2	115	113.5	131
MXS25-75	60	60	6	26	35	4	61	70	33	90	100	—	2	156	154.5	172
MXS25-100	70	70	6	32	35	5	102	70	50	114	125	162	4	197	195.5	213
MXS25-125	75	75	8	40	38	6	154	76	67	155	150	218	4	255	253.5	271
MXS25-150	80	80	8	30	40	7	190	80	82	180	175	258	4	295	293.5	311

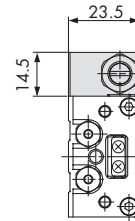
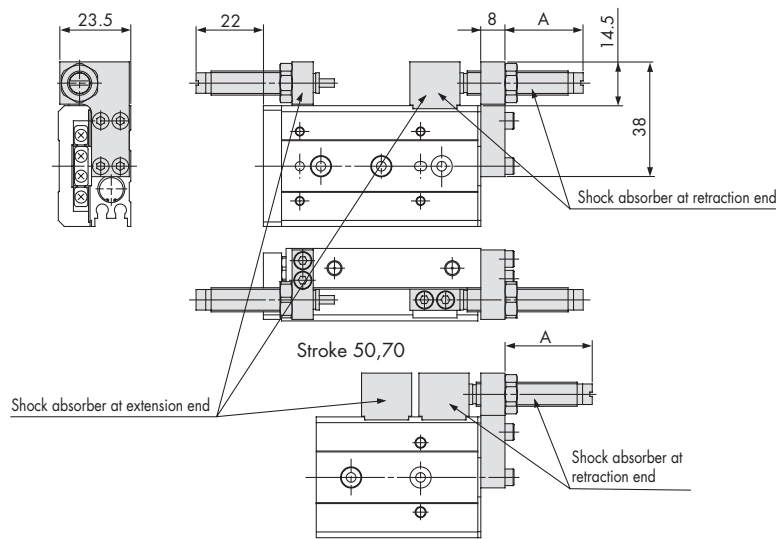
## Dimensions: MXS25L: Symmetric Type

## Basic style



Model	F	FF	N	G	H	NN	GA	HA	I	J	K	KA	NA	M	Z	ZZ
MXS25L-10	50	40	4	22	45	2	22	45	12	47	35	—	2	92	90.5	108
MXS25L-20	50	40	4	22	45	2	22	45	12	47	45	—	2	92	90.5	108
MXS25L-30	50	40	4	22	45	2	22	45	12	47	55	—	2	92	90.5	108
MXS25L-40	60	50	4	22	55	2	22	55	12	57	65	—	2	102	100.5	118
MXS25L-50	35	35	6	20	35	3	55	35	12	70	75	—	2	115	113.5	131
MXS25L-75	60	60	6	26	35	4	61	70	33	90	100	—	2	156	154.5	172
MXS25L-100	70	70	6	32	35	5	102	70	50	114	125	162	4	197	195.5	213
MXS25L-125	75	75	8	40	38	6	154	76	67	155	150	218	4	255	253.5	271
MXS25L-150	80	80	8	30	40	7	190	80	82	180	175	258	4	295	293.5	311

With shock absorber (ø6) MXS8-□□BS, BT, B

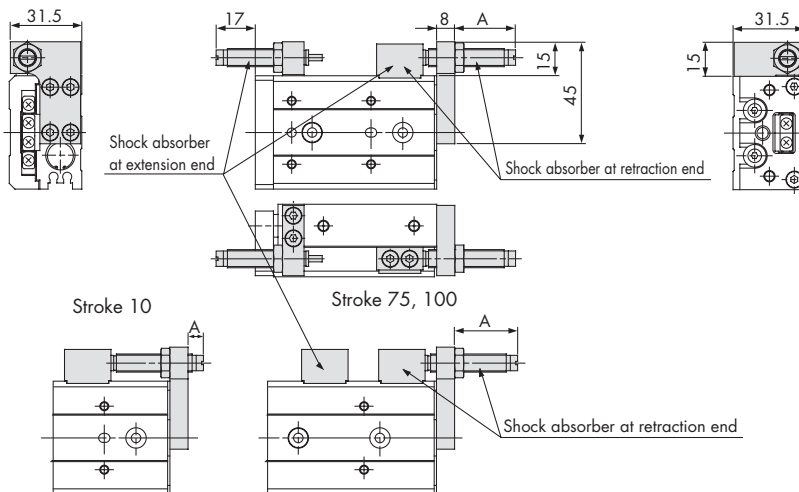


(mm)

Model	Stroke adjustable range		A dimension (Retracted side mounting)
	Extending	Retracting	
MXS8-10	Max.20	5	22
MXS8-20		15	27
MXS8-30		15	26
MXS8-40		5	18
MXS8-50		20	29
MXS8-75		20	29

\* Dimensions not indicated are the same as the basic style.

With shock absorber(ø12) MXS12-□□BS, BT, B

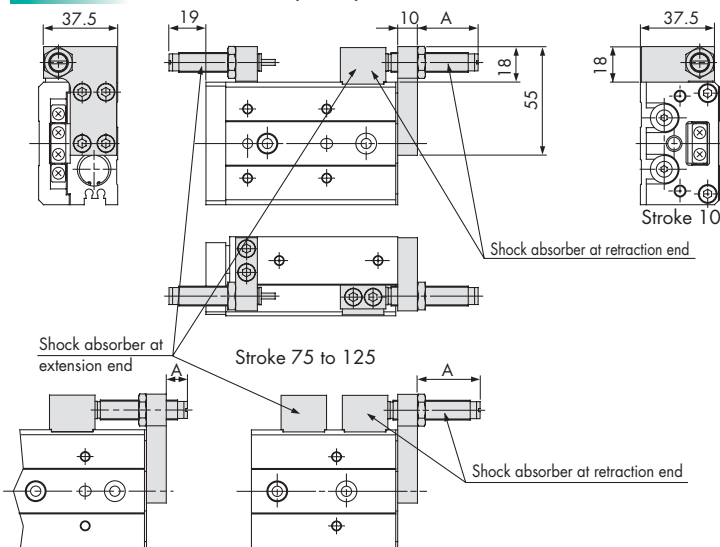


(mm)

Model	Stroke adjustment range		A dimension (Retracted side mounting)
	Extending	Retracting	
MXS12-10	Max. 20	2	7
MXS12-20		5	17
MXS12-30		15	27
MXS12-40		15	25
MXS12-50		5	15
MXS12-75		15	28
MXS12-100		15	28

\* Other dimensions not indicated are the same as the basic style.

With shock absorber(ø16) MXS16-□□BS, BT, B

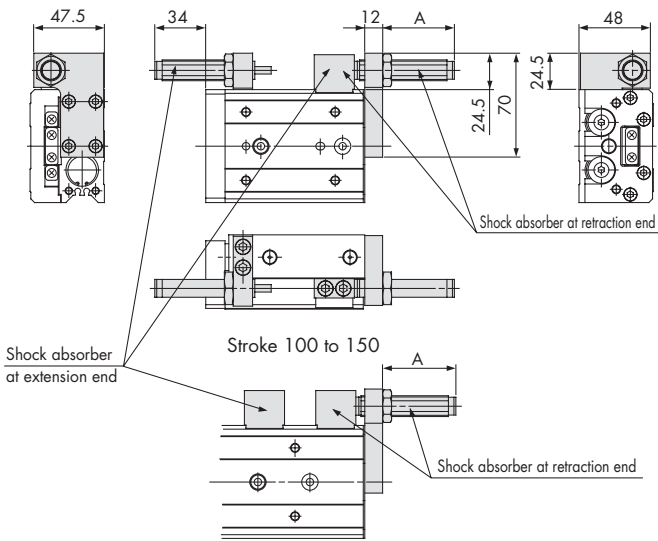


(mm)

Model	Stroke adjustment range		A dimension (Retracted side mounting)
	Extending	Retracting	
MXS16-10	Max. 25	5	11
MXS16-20		10	21
MXS16-30		20	31
MXS16-40		20	31
MXS16-50		15	26
MXS16-75		20	32
MXS16-100		20	32
MXS16-125		20	32

\* Other dimensions not indicated are the same as the basic style.

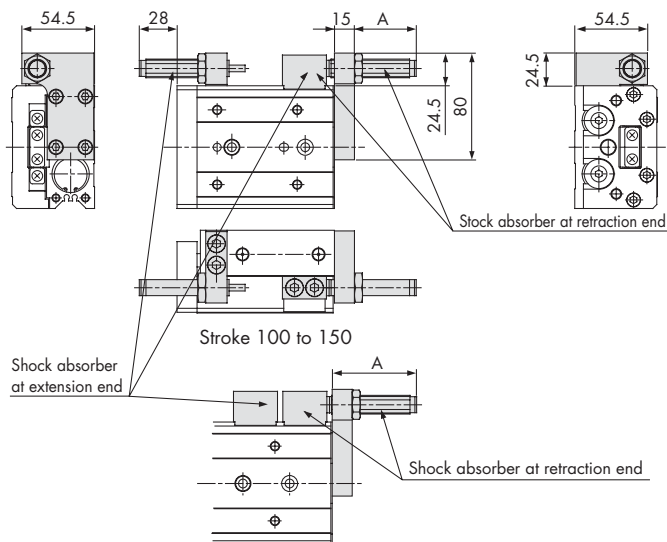
## With shock absorber(ø20) MXS20-□□BS, BT, B



\* Dimensions not indicated are the same as the basic style.

Model	Stroke adjustable range		A dimension (Retracted side mounting)
	Extending	Retracting	
MXS20-10	Max. 40	5	28
MXS20-20		15	38
MXS20-30		25	48
MXS20-40		35	48
MXS20-50		30	43
MXS20-75		15	29
MXS20-100		35	49
MXS20-125		35	49
MXS20-150		35	49

## With shock absorber(ø25) MXS25-□□BS, BT, B



\* Dimensions not indicated are the same as the basic style.

Model	Stroke adjustable range		A dimension (Retracted side mounting)
	Extending	Retracting	
MXS25-10	Max. 35	5	26
MXS25-20		15	36
MXS25-30		25	46
MXS25-40		35	46
MXS25-50		30	43
MXS25-75		15	27
MXS25-100		35	48
MXS25-125		35	46
MXS25-150		35	46

## Option Specifications

## How to Order Stroke Adjuster (Accessory)

MXS - AS 12 L - X11

Stroke adjuster		
AS	Stroke adjuster	Extension end
AT	Stroke adjuster	Retraction end
BS	Shock absorber	Extension end
BT	Shock absorber	Retraction end

## Applicable bore size (mm)

6	ø6
8	ø8
12	ø12
16	ø16
20	ø20
25	ø25

## Symmetric type

Nil	Standard type
L	Symmetric type

 Adjustable range  
(Stroke adjuster only)

Nil	5 mm	Standard
-X11	15 mm	Option
-X12	25 mm	

\* -X12 (adjustable range: 25 mm) is not available in Series MXS6.

\* -X11 and -X12 are not available for shock absorber type.

\* W/ shock absorber is not available in Series MXS6.

## How to Order Adjusting Bolt

MXS - A 12 27 - X11

## Applicable bore size (mm)

MXS6	ø6
MXS8	ø8
MXS12	ø12
MXS16	ø16
MXS20	ø20
MXS25	ø25

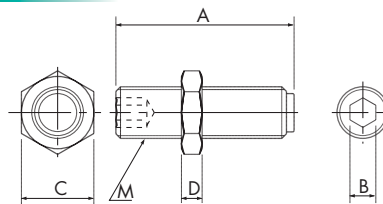
## Adjustment range

Nil	5 mm
X11	15 mm
X12	25 mm

\* -X12 (adjustable range: 25 mm) is not available in Series MXS6.

\* Symmetric type is also the same.

## Dimensions of Adjusting Bolt



Applicable size	Model	Stroke adjustment range (mm)	A	B	C	D	M
MXS6(L)	MXS-A627	5	16.5	2.5	7	3	M5
	MXS-A627-X11	15	26.5				
MXS8(L)	MXS-A827	5	16.5	3	8	3.5	M6
	MXS-A827-X11	15	26.5				
	MXS-A827-X12	25	36.5				
MXS12(L)	MXS-A1227	5	20	4	12	4	M8 x 1
	MXS-A1227-X11	15	30				
	MXS-A1227-X12	25	40				
MXS16(L)	MXS-A1627	5	24.5	5	14	4	M10 x 1
	MXS-A1627-X11	15	34.5				
MXS20(L)	MXS-A2027	5	27.5	6	17	5	M12 x 1.25
	MXS-A2027-X11	15	37.5				
	MXS-A2027-X12	25	47.5				
MXS25(L)	MXS-A2527	5	32.5	6	19	6	M14 x 1.5
	MXS-A2527-X11	15	42.5				
	MXS-A2527-X12	25	52.5				