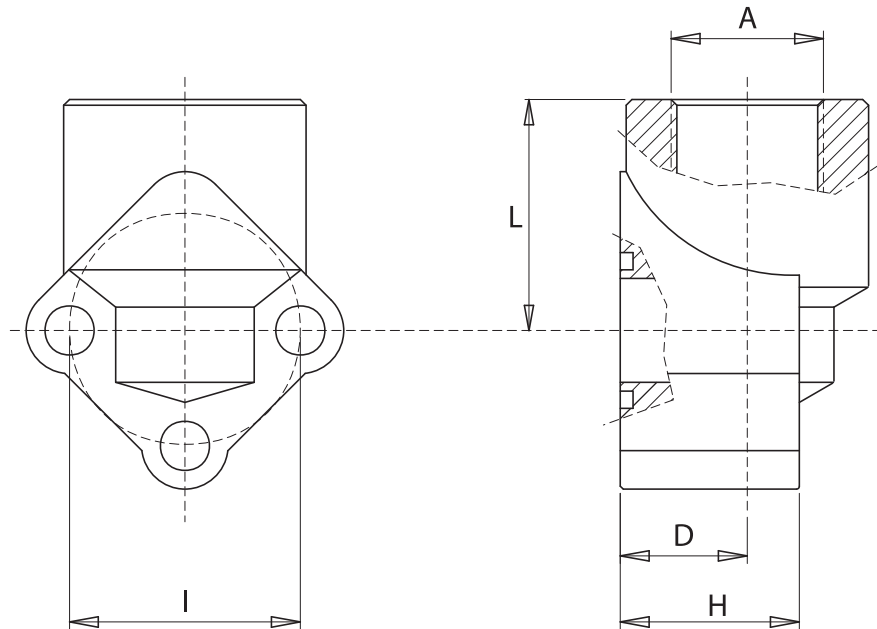


Raccordo RP RP coupling



Materiale: Alluminio
Material: Aluminium



Press. max bar	Tipo Type	Gruppo pompa Pump size	A BSP	I	D	H	L	N. fori Fixing holes	Viti Screws	O-Rings
180	RP05-038	0.5	3/8"	26	18	24	30	3	M5x35	2056
180	RP05-012	0.5	1/2"	26	18	24	30	3	M5x35	2056
180	RP1-038	1	3/8"	30	18	26	30	3	M6x35	121
180	RP1-012	1	1/2"	30	18	26	30	3	M6x35	121
180	RP2-012	2	1/2"	40	20	31	40	3	M8x45	130
180	RP2-034	2	3/4"	40	20	31	40	3	M8x45	130
180	RP3-034	3	3/4"	51÷56	26	43	46	3	M10x60	4118
180	RP3-100	3	1"	51÷56	26	43	46	3	M10x60	4118
180	RP35-114	3.5	1 1/4"	62	33.5	17	57	2	M12x35	4143
180	RP4-112	4	1 1/2"	72.5	38	17	64	2	M12x35	4175

Esempio codice di ordinazione - Ordering example

RP 1 - 012 - M

Raccordo
Coupling

Viti metriche, rondelle, O-Rings
Metrical screws, washers, O-Rings
(zincate bianche - white zinc plated)