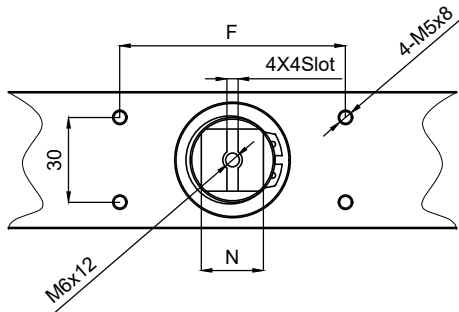


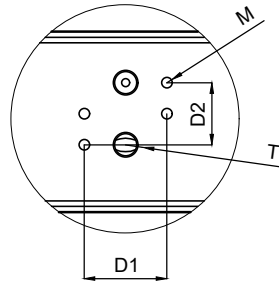
DOUBLE ACTING PNEUMATIC ACTUATOR ECON FIG.7902

TYPE DA10

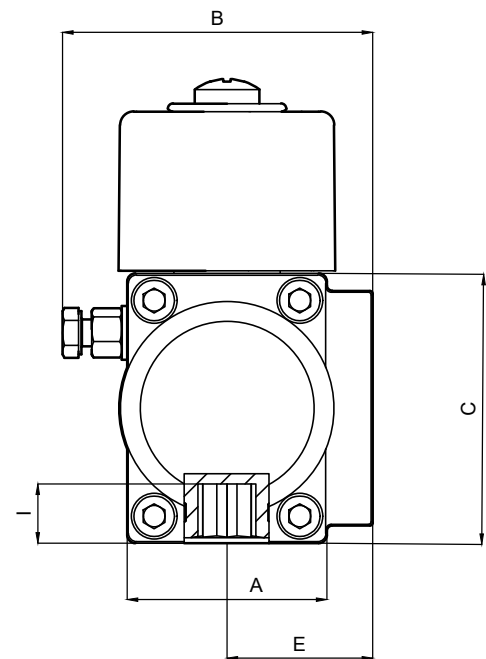
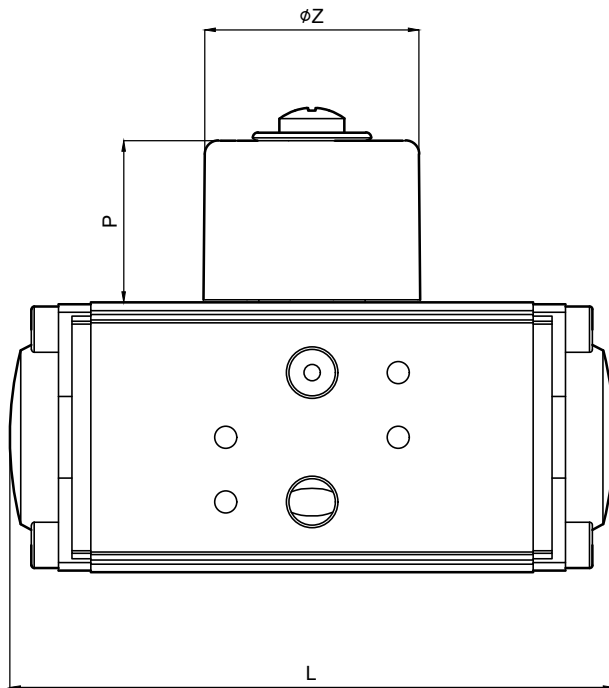
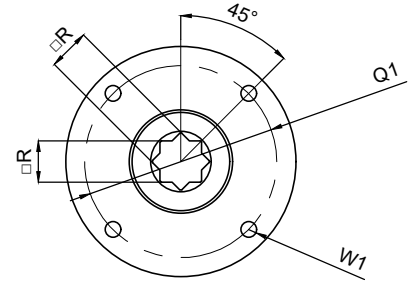
VDI / VDE 3845
INTERFACE CONNECTION



NAMUR
AIR CONNECTION



ISO 5211
ACTUATOR CONNECTION



DIMENSIONS IN MM

MODEL	A	B	C	L	E	F	P	ØZ	N	ISO1	Q1	W1	□R	I	NAMUR	D1xD2	M	T
DA10	37	57	50	110	27	50	30	40	10	F03	36	M5x8	9	13	1	32x24	4x M5x8	G 1/8"

DATE:
05-04-2023

BRAND:
econ®

DRAWN BY:
JL

CHECKED BY:
JBM

WWW.ERIKS.COM

ERIKS

DWG. Nr.:

7902 - 1

REV BY:
JL

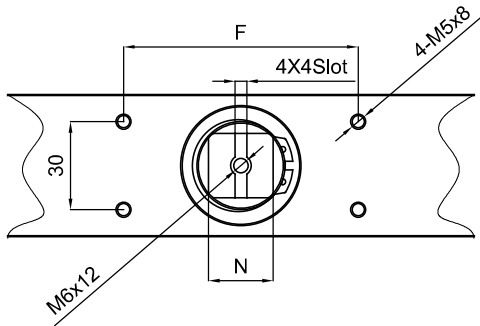
DATE REV:
05-06-2023

REV.:
D

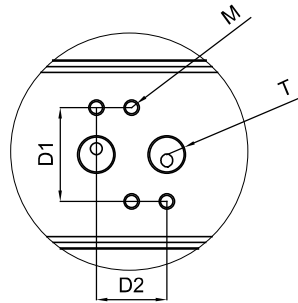
DOUBLE ACTING PNEUMATIC ACTUATOR ECON FIG.7902

TYPE DA15

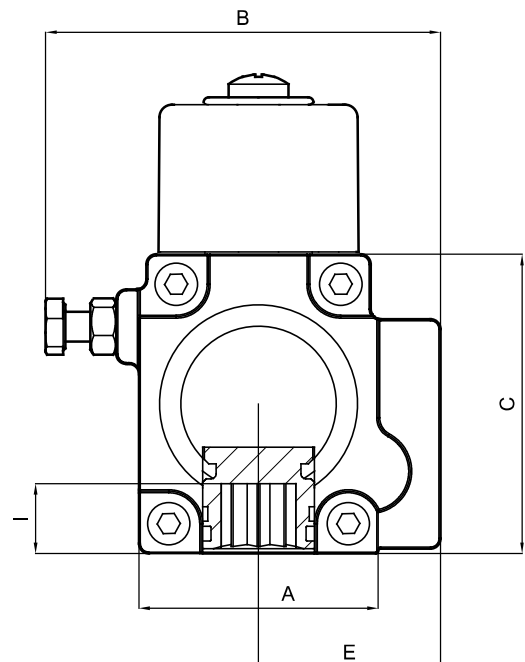
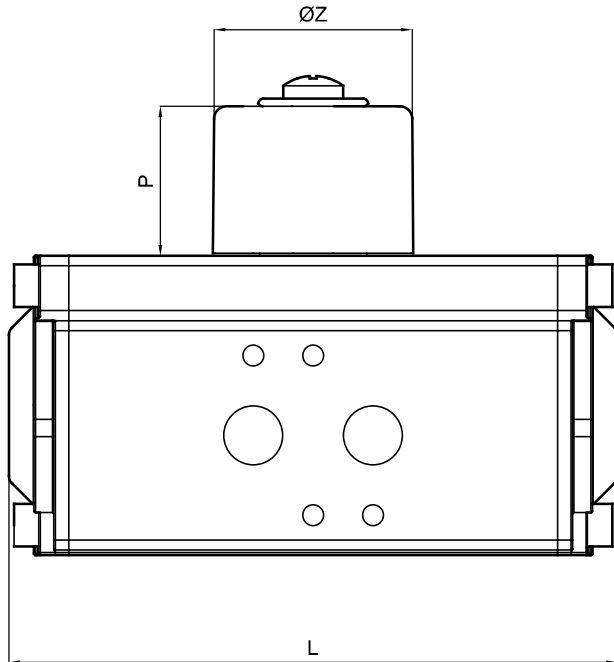
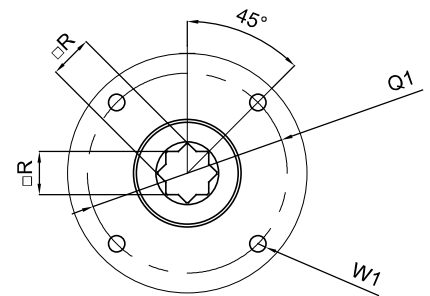
VDI / VDE 3845
INTERFACE CONNECTION



NAMUR
AIR CONNECTION



ISO 5211
ACTUATOR CONNECTION



DIMENSIONS IN MM

MODEL	A	B	C	L	E	F	P	ØZ	N	ISO1	Q1	W1	□R	I	NAMUR	D1xD2	M	T
DA15	48	78	60	144	36,5	80	30	40	10	F04	42	M5x8	9	13	1	32x24	4x M5x8	G 1/4"

DATE:
05-04-2023

REMARK:

DRAWN BY:
JL

CHECKED BY:
JBM

WWW.ERIKS.COM

econ®

DWG. Nr.:

7902 - 2

REV BY:
RFK

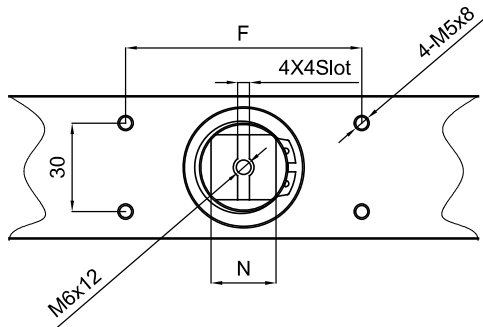
DATE REV:
17-08-2023

REV.:
E

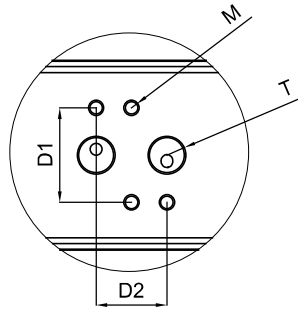
DOUBLE ACTING PNEUMATIC ACTUATOR ECON FIG.7902

TYPE DA20 - DA850

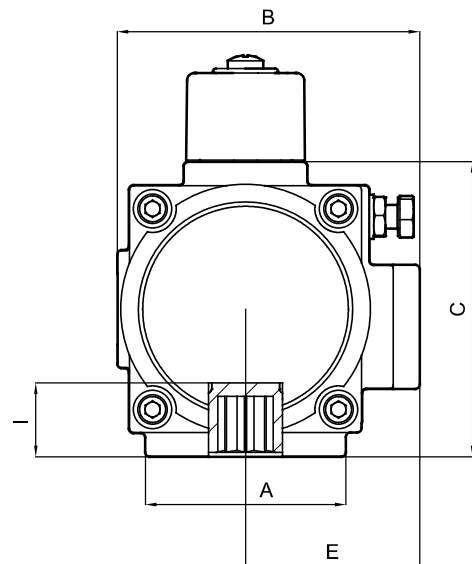
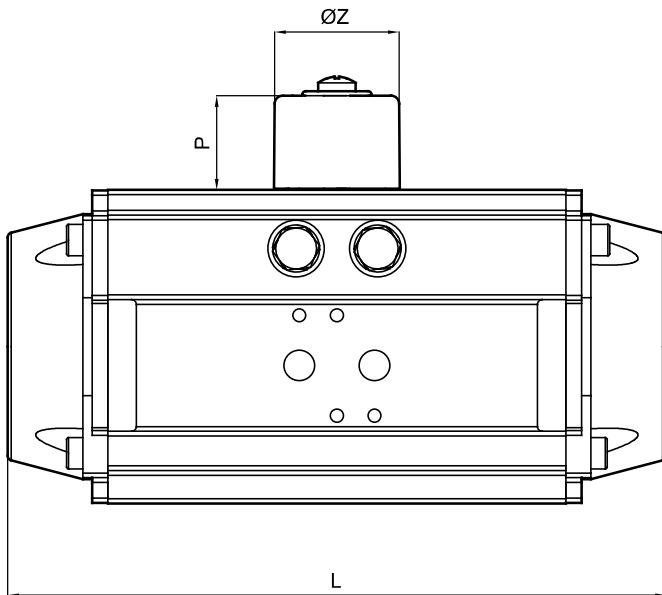
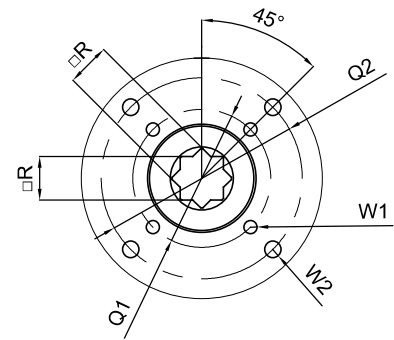
VDI / VDE 3845 INTERFACE CONNECTION



NAMUR AIR CONNECTION



ISO 5211 ACTUATOR CONNECTION



DIMENSIONS IN MM

MODEL	A	B	C	L	E	F	P	ØZ	N	ISO1	Q1	W1	ISO2	Q2	W2	□R	I	NAMUR	D1xD2	M	T
DA20	45	70,5	70	154	41,5	80	30	40	10	F03	36	M5x8	F05	50	M6x9	11	14	1	32x24	4xM5x8	G 1/4"
DA20	45	70,5	70	154	41,5	80	30	40	10	F04	42	M5x8	-	-	-	9	14	1	32x24	4xM5x8	G 1/4"
DA40	62	89,5	89	189	51,5	80	30	40	10	F05	50	M6x9	F07	70	M8x12	14	18	1	32x24	4xM5x8	G 1/4"
DA80	68	102,5	100	210	59	80	30	40	14	F05	50	M6x9	F07	70	M8x12	14	20	1	32x24	4xM5x8	G 1/4"
DA100	68	112,5	113	229	63,5	80	30	40	14	F05	50	M6x9	F07	70	M8x12	17	23	1	32x24	4xM5x8	G 1/4"
DA130	92	126	123	264	71	80	30	40	14	F05	50	M6x9	F07	70	M8x12	17	32	1	32x24	4xM5x8	G 1/4"
DA200	93	138,5	136	266	76,5	80	30	40	14	F07	70	M8x12	F10	102	M10x15	22	25	1	32x24	4xM5x8	G 1/4"
DA300	96	157	161	337	85	80-130	30	65	22	F07	70	M8x12	F10	102	M10x15	22	35	1	32x24	4xM5x8	G 1/4"
DA500	110	178	178	377	97	80-130	30	65	22	F10	102	M10x15	F12	125	M12x18	27	35	1	32x24	4xM5x8	G 1/4"
DA850	112	196	200	414	106	80-130	30	65	22	F10	102	M10x15	F12	125	M12x18	27	40	1	32x24	4xM5x8	G 1/4"

DATE: 05-04-2023	REMARK:
DRAWN BY: JL	CHECKED BY: JBM

WWW.ERIKS.COM

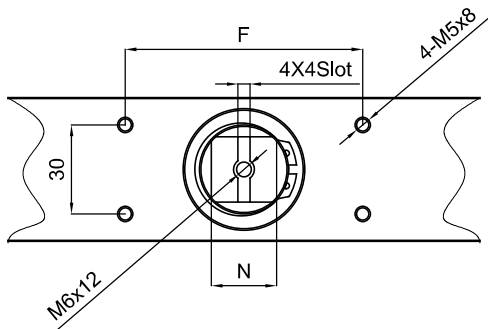
econ®

DWG. Nr.: 7902 - 3	
REV BY: RFK	DATE REV: 17-08-2023
REV.:	E

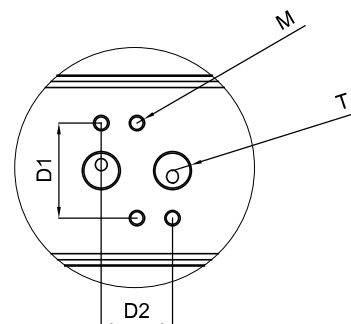
DOUBLE ACTING PNEUMATIC ACTUATOR ECON FIG.7902

TYPE DA1200 - DA6000

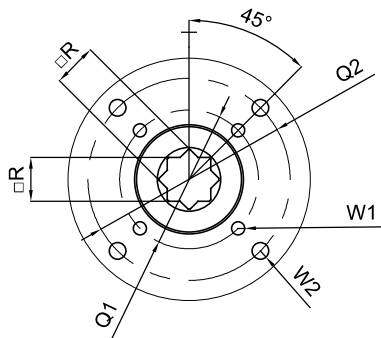
VDI / VDE 3845 INTERFACE CONNECTION



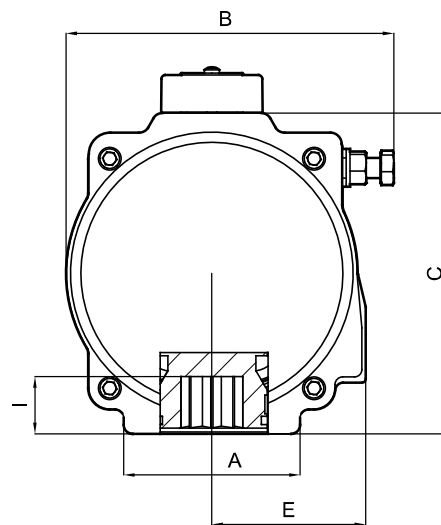
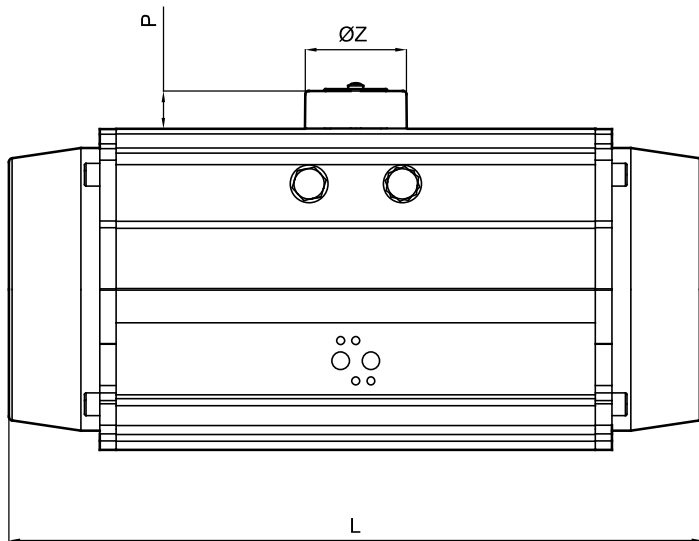
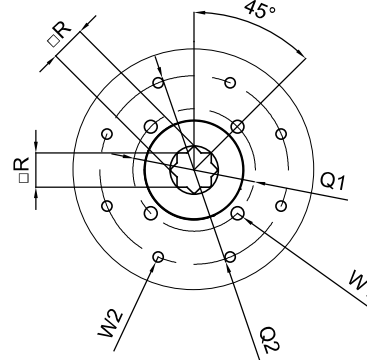
NAMUR AIR CONNECTION



ISO 5211 ACTUATOR CONNECTION DA1200-DA4000



ISO 5211 ACTUATOR CONNECTION DA6000



DIMENSIONS IN MM

MODEL	A	B	C	L	E	F	P	ØZ	N	ISO1	Q1	W1	ISO2	Q2	W2	□R	I	NAMUR	D1xD2	M	T
DA1200	136	216,5	232	490	112	80-130	30	65	22	F10	102	M10x12	F14	140	M16x24	36	45	1	32x24	4xM5x8	G 1/4"
DA1200	136	216,5	232	490	112	80-130	30	65	22	F12	125	M12x18	-	-	-	36	45	1	32x24	4xM5x8	G 1/4"
DA1750	140	235,5	255	550	120	130	30	80	32,5	F12	125	M12x18	-	-	-	27	45	1	32x24	4xM5x8	G 1/4"
DA1750	140	235,5	255	550	120	130	30	80	32,5	F14	140	M16x24	-	-	-	36	45	1	32x24	4xM5x8	G 1/4"
DA2100	159	262	292	602	131	130	30	80	32,5	F14	140	M16x24	-	-	-	36	55	2	45x40	4xM6x10	G 1/2"
DA2100	159	262	292	602	131	130	30	80	32,5	F16	165	M20x25	-	-	-	46	55	2	45x40	4xM6x10	G 1/2"
DA2500	159	295	331	672	147,5	130	30	80	32,5	F16	165	M20x25	-	-	-	46	55	2	45x40	4xM6x10	G 1/2"
DA4000	180	335	354	784	173	130	30	80	32,5	F16	165	M20x25	-	-	-	55	70	2	45x40	4xM6x10	G 1/2"
DA6000	270	385	410	845	195	130	30	80	32,5	F16	165	M20x25	F25	254	M16x24	55	70	2	45x40	4xM6x10	G 1/2"

DATE:
05-04-2023

BRAND:
econ®

DRAWN BY:
JL

CHECKED BY:
JBM

WWW.ERIKS.COM

ERIKS

DWG. Nr.:
7902 - 4

REV BY:
RFK

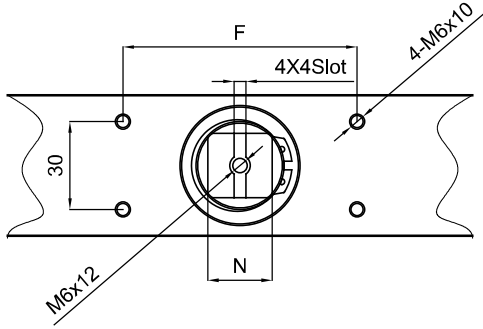
DATE REV:
28-09-2023

REV.:
E

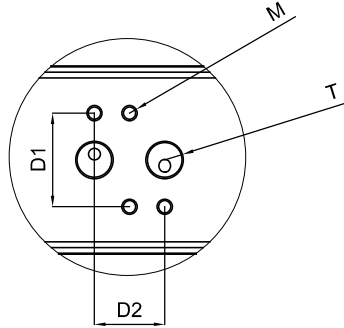
DOUBLE ACTING PNEUMATIC ACTUATOR ECON FIG.7902

DA9000

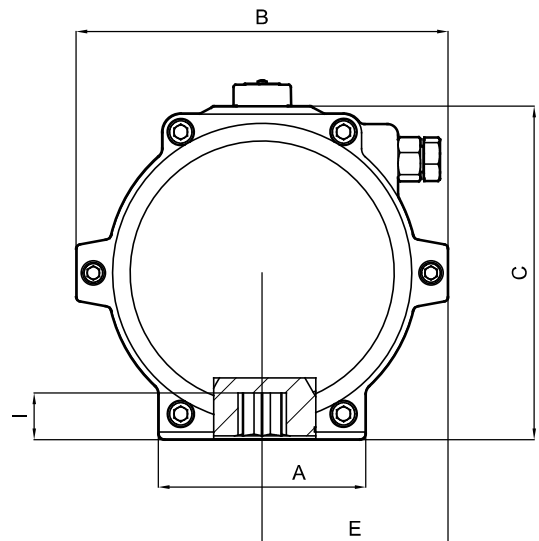
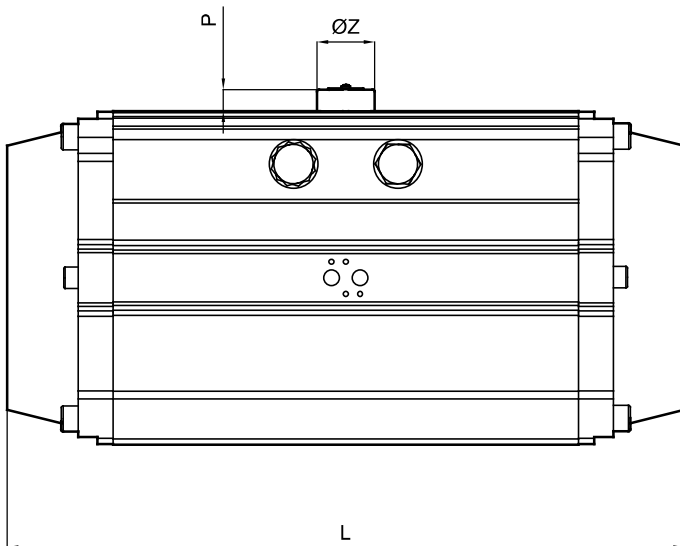
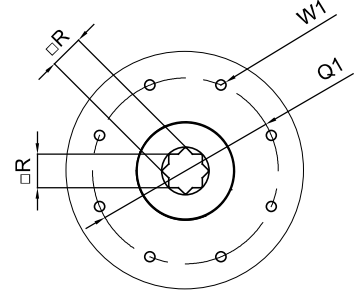
VDI / VDE 3845
INTERFACE CONNECTION



NAMUR
AIR CONNECTION



ISO 5211
ACTUATOR CONNECTION



DIMENSIONS IN MM

MODEL	A	B	C	L	E	F	P	ØZ	N	ISO1	Q1	W1	□R	I	NAMUR	D1xD2	M	T
DA9000	290	520	466	956	260	130	30	80	32,5	F25	254	M16x24	55	70	2	45x40	4xM6x10	G 1/2"

DATE:
05-04-2023

BRAND:
econ®

DRAWN BY:
JL

CHECKED BY:
JBM

WWW.ERIKS.COM

ERIKS

DWG. Nr.:

7902 - 5

REV BY:
RFK

DATE REV:
28-09-2023

REV.:
E