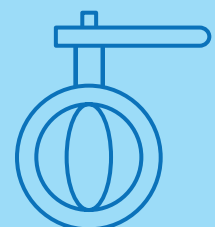


econ®



**Premium
Butterfly valves
Series 63 & 64**

Industrial Series



Proven quality since 1892

More than 125 years of application experience, research and product development forms the basis of today's Econ® product designs. The series 63 and 64 butterfly valves are products of Premium quality and form the basis of the Econ® resilient butterfly valve portfolio.

Applications

Series 63 and 64 butterfly valves are made to be used in demanding industrial and food & beverage applications. The rubber liner, which is the most important part of these valves, is made by highly qualified compound manufacturers. For food and beverage applications our own ERIKS compounds are used, which comply to the EC 1935 and FDA regulations.

Markets

- Food & Beverage
- Chemical Industries
- Steel production
- Pulp & Paper
- Water and waste water treatment
- Mining
- HVAC
- Desalination
- Marine & Ship building

Food contact materials | EC 1935 and FDA approved

Both disc and liner, parts which are in contact with foodstuff, have been migration tested by an external laboratory and fully comply with the EC1935 and FDA regulations.

The applications are:

- Aqueous foods
- Acidic foods
- Alcoholic foods
- Semi-fatty foods



Design

The robust one-piece stem design up to size DN300 (12"), splined disc-stem connection and high quality liner material make this valve the best choice for your industrial application. The replaceable liner covers the full body and isolates flowing media from the valve body and stem.



Series 63
Wafer type
with centring lugs



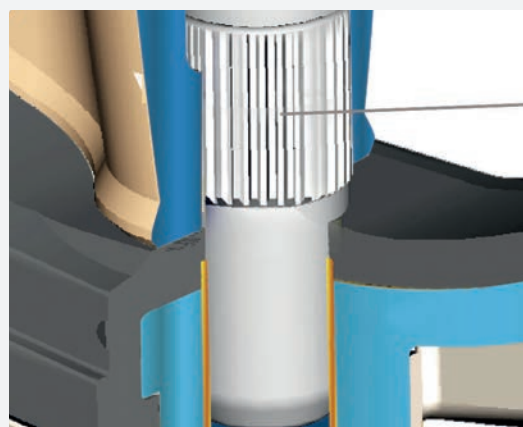
Series 64
Lug type



Design features

- Valve design according to EN 593, API 609 and ASME B16.34
- One piece shaft design up to DN300 and a two piece shaft design for DN350 and larger
- Anti-blow out stem design
- Top-flange according to ISO 5211
- Face-to-face dimension according to EN 558 Series 20, ISO 5752 Series 20 and API 609 Category A
- Size range DN50 - DN600 [2" - 24"]
- Splined stem-disc connection
- To be mounted between flanges according to EN 1092-1 and 2 [flange type 11] and/or ASME B16.5.
Remark: Series 64 in DN65 with 4 bolt holes, 8 holes on request
- Bidirectional bubble tight shutoff according to EN 12266-1 leakage rate A and API 598
- Pressure classes:
 - > Wafer type
 - Size DN50 - DN300 [2" - 12"]: PN6, PN10, PN16 and Class 150
 - Size DN350 - DN400 [14" - 16"]: PN10, PN16 and Class 150
 - Size DN450 - DN600 [18" - 24"]: PN10 or PN16 or Class 150
 - > Lug type
 - Size DN50 - DN150 [2" - 6"]: PN10 and PN16 or Class 150
 - Size DN200 - DN600 [8" - 24"]: PN10 or PN16 or Class 150

- ΔP max.: 6 bar [87psi], 10 bar [145 psi] or 16 bar [232 psi]. For details please see the table below.
- Lug type valves are suitable for temporarily dead-end services up to the maximum pressure rating of the valve for sizes up to DN200 [8"]. Sizes DN250 [10"] and larger can be used up to a maximal differential pressure of 6 bar [87 psi].
- Due to the replaceable liner, this type of valves is not suitable for vacuum applications.



Splined stem-disc connection

Disc and liner selection

Due to the rubber lined butterfly valve design, only the disc and the liner are in contact with the medium and therefore these parts must be made of materials which have good resistance to the medium and its temperature. Please note that the mentioned maximum temperatures in the table on the right are based on peak temperatures. Continuous high temperatures will shorten the life of the rubber liner.

The liner is made of a rubber compound and is therefore a delicate part to take into account. This is why only ERIKS approved compound manufacturers have been selected for making liners for Econ® valves. This way a high and consistent quality is secured.

Coating

Series 63 and 64 butterfly valves have a two layer epoxy coating system for high durability and good chemical resistance.

Layer	Type
Primer 20µm	Epoxy red oxide primer, RAL 2012
Topcoat 60µm	Epoxy enamel finish, RAL 5015

Available liner materials	Temperature limitations		ΔP Limitations
EPDM-HT	-10° ~ +140°C	[14° ~ 284°F]	16 bar [232 psi]
EPDM - food grade ¹	-10° ~ +140°C	[14° ~ 284°F]	16 bar [232 psi]
EPDM - White - food grade ²	-10° ~ +140°C	[14° ~ 284°F]	6 bar [87 psi]
NBR-HT / Buna-N	-10° ~ +100°C	[14° ~ 212°F]	16 bar [232 psi]
FPM (FKM)	-10° ~ +204°C	[14° ~ 400°F]	10 bar [145 psi]
FEPM	-10° ~ +204°C	[14° ~ 400°F]	10 bar [145 psi]
H-NBR	-10° ~ +100°C	[14° ~ 212°F]	16 bar [232 psi]
MVQ - Silicone	-10° ~ +180°C	[14° ~ 356°F]	6 bar [87 psi]
CR - Neoprene	0° ~ +80°C	[32° ~ 176°F]	16 bar [232 psi]
CSM - Hypalon	-10° ~ +135°C	[14° ~ 275°F]	6 bar [87 psi]

1] EC 1935 and FDA approved
2] EC 1935 approved

Other liner materials on request

According to EN 593 (Industrial valves - Metallic butterfly valves for general purposes) ductile iron butterfly valves may be used down to a minimum temperature of -10°C [14°F]

Parts and materials

Pos.	Part	Material
1	Body	A536-65-45-12 [EN-GJS-400-15] + Epoxy coating
2	Stem	A182 F6A [1.4006] up to 8" and A182 F6A Class 3 for larger sizes
3	Disc*	A351-CF8M [1.4408] or B148-C95800 [CC333G]
4	Liner**	EPDM-HT, EPDM food grade, NBR-HT or FPM [FKM]
5	Anti blow-out pin	F182-F304 [1.4301]

Pos.	Part	Material
6	Top stem bearing	Delrin
7	Stem bearing	A240-304, RPTFE lined
8	Bottom stem bearing	Bronze [B62]
9	O-rings	NBR

* Optional disc materials: Low alloy stainless steel ASTM A276, ductile iron with Rilsan (Polyamide) coating, Duplex or Hastelloy

** Optional liner materials: H-NBR, Silicone, Neoprene, Hypalon or FPM

Features

ISO-top flange and square stem connection for direct actuator mounting. No mounting set needed.

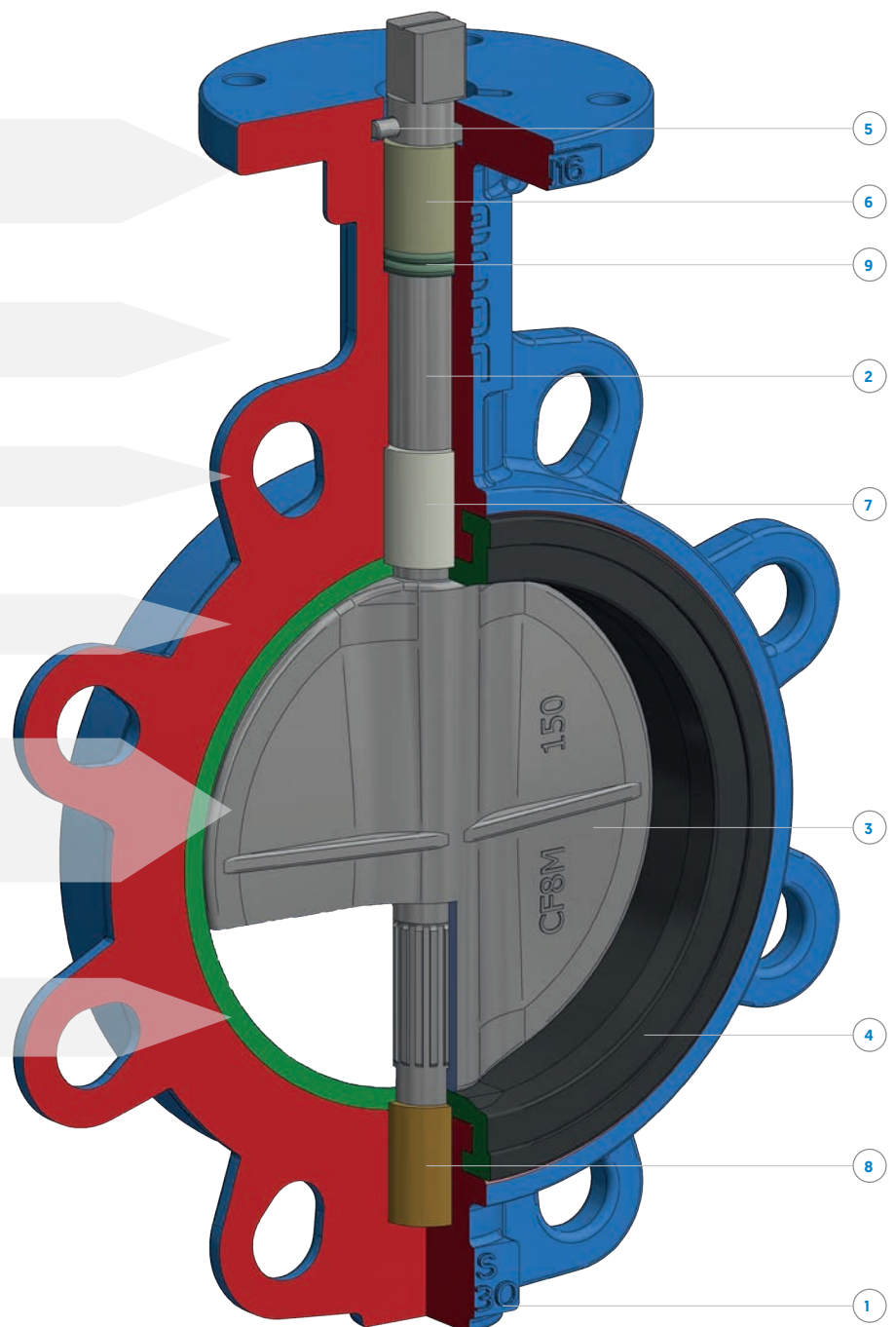
One piece shaft design up to DN300 and a two piece shaft design for DN350 and larger. Anti-blowout design.

Three point stem bearing for high cycle durability

Wafer type body or lug type body for dead-end service

Replaceable tongue and groove liner. Liners available in several compounds, also for food applications in compliance with FDA and EC 1935 regulations

Zero play splined stem-disc connection. Easy disassembly of the valve.





Flow data

Flow data of isolating valves is usually needed for pipe dimension and pressure loss calculations, when the valve is in the fully open position. Most of the open/closed isolating valves are in the fully open position the most of the time and therefore these valves should have a high flow coefficient value in order to reduce pressure drops and with this increasing plant efficiency and reducing energy costs.

Flow coefficient at different disc opening angles

Valve size		Disc angle [opening angle of the valve]																	
DN	NPS	10°		20°		30°		40°		50°		60°		70°		80°		90°	
mm	inch	Kv	Cv	Kv	Cv	Kv	Cv	Kv	Cv	Kv	Cv	Kv	Cv	Kv	Cv	Kv	Cv	Kv	Cv
50	2"	1,1	1,3	3,8	4,4	10,2	11,8	22	26	38	44	60	69	100	116	132	153	193	223
65	2 1/2"	2,0	2,4	7,5	8,7	18,2	21,1	35	41	61	71	95	110	187	216	240	278	315	364
80	3"	2,5	2,9	9,8	11,4	26	30	48	56	83	96	126	146	214	247	338	391	425	491
100	4"	3,8	4,4	14,6	16,9	39	45	72	83	119	138	221	256	361	417	606	701	723	836
125	5"	6,5	7,6	24	28	62	72	118	137	217	251	394	456	599	693	1.038	1.200	1.243	1.437
150	6"	10,0	11,6	41	47	95	110	175	202	326	377	542	627	873	1.009	1.260	1.457	1.859	2.149
200	8"	19,0	22,0	64	74	165	191	306	354	573	662	995	1.150	1.567	1.812	2.310	2.670	3.124	3.611
250	10"	28	32	101	117	245	283	451	521	836	967	1.462	1.690	2.253	2.605	3.256	3.764	4.757	5.499
300	12"	34	39	129	149	312	361	615	711	1.137	1.314	2.125	2.457	3.248	3.755	4.991	5.770	7.058	8.159
350	14"	47	54	163	189	390	451	795	919	1.498	1.732	2.573	2.974	3.980	4.601	5.749	6.646	8.319	9.617
400	16"	62	72	231	267	508	587	1.077	1.245	1.973	2.281	3.381	3.909	5.385	6.225	8.099	9.363	11.458	13.246
450	18"	75	87	256	296	621	718	1.208	1.397	2.315	2.676	3.925	4.537	6.361	7.353	9.474	10.952	13.612	15.736
500	20"	103	119	346	400	859	993	1.692	1.956	3.086	3.568	5.348	6.182	8.513	9.841	13.109	15.154	18.748	21.673
600	24"	139	161	494	571	1.153	1.333	2.389	2.762	4.466	5.163	7.561	8.741	11.945	13.809	18.088	20.910	25.217	29.151

Notes:

- The valve is fully open at an angle of 90°
- Kv is the volume of water in m³ per hour at a ΔP of 1 bar
- Cv is the volume of water in US Gallons per minute at a ΔP of 1 psi



Series 63 butterfly valve
with pneumatic double acting
open/closed actuator



Series 64 butterfly valve
with modulating pneumatic
single acting actuator



Series 63 butterfly valve
with modulating
electric actuator

Valve operating torques

Opening (BTO) and closing (BTC) torques in Nm and in-lb											
Valve size										MAST	
DN	NPS	3 bar	43,5 psi	6 bar	87 psi	10 bar	145 psi	16 bar	232 psi	Nm	in-lb
mm	inch	Nm	in-lb	Nm	in-lb	Nm	in-lb	Nm	in-lb	Nm	in-lb
50	2"	12	106	13	115	15	133	18	159	81	717
65	2 1/2"	14	124	15	133	17	150	20	177	168	1.487
80	3"	22	195	24	213	26	230	32	283	168	1.487
100	4"	28	248	32	283	35	310	42	372	168	1.487
125	5"	47	416	52	460	58	513	70	620	300	2.655
150	6"	89	788	98	867	108	956	118	1.044	300	2.655
200	8"	132	1.168	146	1.292	162	1.434	195	1.726	651	5.762
250	10"	212	1.876	235	2.080	262	2.319	314	2.779	1.384	12.250
300	12"	293	2.593	325	2.877	362	3.204	434	3.841	2.559	22.649
350	14"	419	3.709	465	4.116	517	4.576			2.559	22.649
400	16"	560	4.957	622	5.505	692	6.125			2.559	22.649
450	18"	702	6.213	779	6.895	866	7.665			6.065	53.680
500	20"	873	7.727	970	8.585	1.078	9.541			6.065	53.680
600	24"	1.019	9.019	1.132	10.019	1.258	11.134			12.654	111.997

Notes:

- Torque values for valves with an EPDM-HT or NBR-HT/BUNA-N liner in water of 0 °C up to 80°C without solid particles.
- For valves with a FPM (FKM) liner the above torque figures must be multiplied by 1,2.
- For valves with an EPDM-food grade liner the above torque figures must be multiplied by 1,3.
- Solid particles and fouling of the disc and liner will lead to high torques and accelerated wear.
- High flow velocities (> 4 m/s or 13,1 ft/s) will generate a dynamic torque due to pressure differences across a partly opened valve disc .
Please contact your distributor in order to have this dynamic torque calculated.

Application and safety factors for actuator sizing:

- Standard sizing for lubricating media, like water - 1,3
- Sizing for lubricating media and less than once per week operated - 1,5
- Sizing for lubricating media and less than once per month operated - 1,8
- Sizing for (dry) gases and abrasive media - 1,8
- Sizing for media with temperatures below 0°C (32°F) - 1,8



Hand Operated valves

Econ® butterfly valves can be hand operated by means of a hand lever up to size DN200/8" or a gearbox for all sizes.

Hand levers have a notching plate in order to put them in intermediate positions. These positions are also lockable by use of a padlock.

Gearboxes are extremely useful in situations in which the valve operating space is limited.



Three types of worm gearboxes are available:



Fig. 4002 | Lightweight aluminium gearbox for indoor use



Fig. 4023 | Heavy duty cast iron gearbox for indoor use



Fig. 4025 | Heavy duty cast iron gearbox for outdoor use

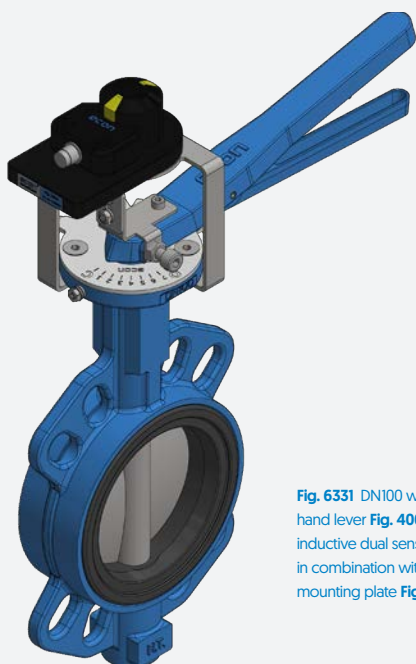


Fig. 6331 DN100 with hand lever Fig. 4001L and inductive dual sensor Fig. 79655 in combination with mounting plate Fig. 7964

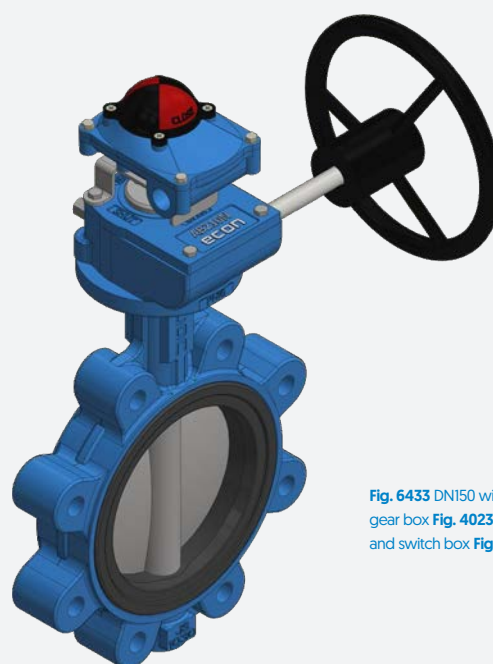


Fig. 6433 DN150 with gear box Fig. 4023 and switch box Fig. 79651

Lever and gear box operated valves can also be equipped with a switch box or inductive dual sensors for position feedback.

Automated valves

Econ® butterfly valves have a direct-mount ISO-top flange and square stem connection. All Econ® actuators can be mounted on the valve, without the use of a bracket and coupler.

For remote controlled valves Econ® has 4 automation options available:

1. Pneumatic operated

- a. Rack & Pinion double acting or spring return actuator
Fig. 7902 and 7901 (Metric) or Fig. 7951 and 7952 (Imperial)
- b. Scotch Yoke double acting or spring return actuator
Fig. 7991 and 7992.

Features:

- High cycle life
- Quick opening and closing times
- Torque output up to 6,421 Nm [56,831 in-lb]
- Relatively inexpensive type of automation if a large amount of remote operated valves are needed
- SIL 2 capable. SIL 3 capable in a redundant setup

2. Electric operated - 115, 230, 380 or 440 VAC 50/60Hz, 24VDC or 24VAC

- a. Open-close actuator - *Fig. 7907*
- b. Fail-safe actuator with rechargeable battery pack – *Fig.7907RBP*
- c. Fail-safe spring return actuator – *Fig. 7917*
- d. Modulating actuator – *Fig. 7907MOD*
- e. Explosion proof [Exd] versions

Features:

- Relative short cycle life compared to pneumatic actuators
- Relatively long operation/cycle times
- Torque output up to 3.000 Nm [26,552 in-lb]
- Relatively inexpensive type of operation if only a few remote operated valves are needed and if no air supply is present
- SIL 2 capable. SIL 3 capable in a redundant setup
- Optional fieldbus communication protocols: Modbus, CANopen, Profibus and AS-interface





3. Hydraulic operated

- a. Compact double acting or spring return Helical actuator
Fig. 21204, 21202 and 21201
- b. Rack & Pinion double acting or spring return actuator
Fig. 21501 and 21502
- c. Scotch Yoke double acting or spring return actuator
Fig. 7991 and 7992

Features:

- Extremely robust construction
- Very compact compared to pneumatic actuators, especially the helical actuator
- Torque output up to 250,000 Nm (2.2 million in-lb)
- Submersible

4. Electro-hydraulic operated

- a. Compact double acting or spring return Helical actuator
- b. Rack & Pinion double acting or spring return actuator
- c. Scotch Yoke double acting or spring return actuator

Features:

- An Econ® local power unit (LPU) can be mounted on all Econ hydraulic actuators and is available in a single acting version (Fig. 21301) and a double acting version (Fig. 21302).
- CANopen fieldbus communication is optional

CANopen®



Valve automation accessories for Rack & Pinion and Scotch Yoke actuators

Switch boxes

Econ® Fig. 79650, 79651, 79652 and 79653

- Position feedback device for open, closed or intermediate positions. Also available with a potentiometer and position transmitter for a 4-20mA or 0-10V feedback signal
- The switch boxes can be equipped with mechanical switches or Pepperl and Fuchs proximity sensors
- Econ® switch boxes can also be mounted on actuators for 3-way L- or T-port valves
- Aluminium or stainless steel IP67 or IP68 enclosure
- Fig. 79653 for explosion proof applications [ATEX-classified for zone 1 and 21]
- SIL 2 capable. SIL 3 capable in a redundant setup



Inductive dual sensors

Econ® Fig. 79654, 79655, 79656, 79657, 79658 and 79659

- Compact construction with sturdy plastic IP67 enclosure
- Cable connection types: Plug-in terminal strip, M12 male connector or 2 meter PVC cable
- 2-wire DC sensor with minimum off-state (leakage) current; max. 0,2 mA. Compatible with all modern PLC's and DCS-systems (only for fig. 79654, 79657 and 79658)
- Fig. 79658 for explosion proof applications [ATEX-classified for zone 2 and 22]



Solenoid valves

Fig. 33580

- Namur pilot solenoid valves for direct mounting
- Voltages: 24 AC, 115 AC, 230 AC and 24 DC
- For double acting and single acting actuators (3/2 and 5/2 function)
- Aluminium IP65 enclosure
- DIN 43650 connector



Smart positioners

Fig. 3303 and 3304

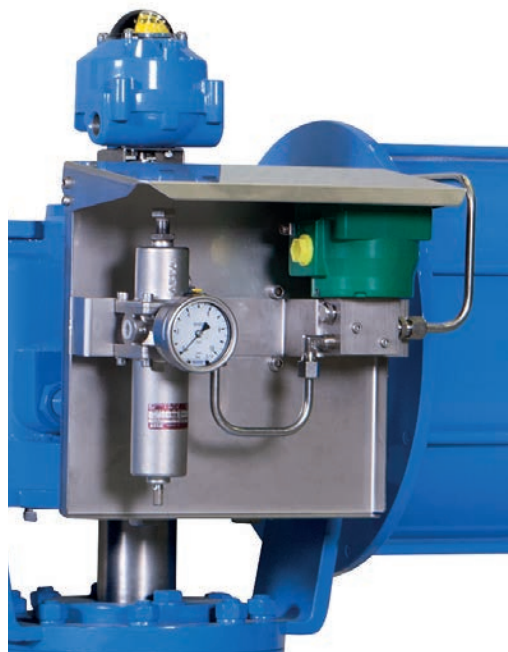
- For modulating applications
- Automatic calibration
- Input signal 4-20mA
- Additional modules available for 4-20mA feedback signal or HART protocol communication
- Pressure gauges can be mounted on this positioner as an option.
- ATEX versions available for explosion proof applications [ATEX-classified for zone 1 and 21]





Control panels and cabinets

- Customized solutions based on the functional needs
- Different designs depending on weather effects and environmental influences



Scotch Yoke actuators

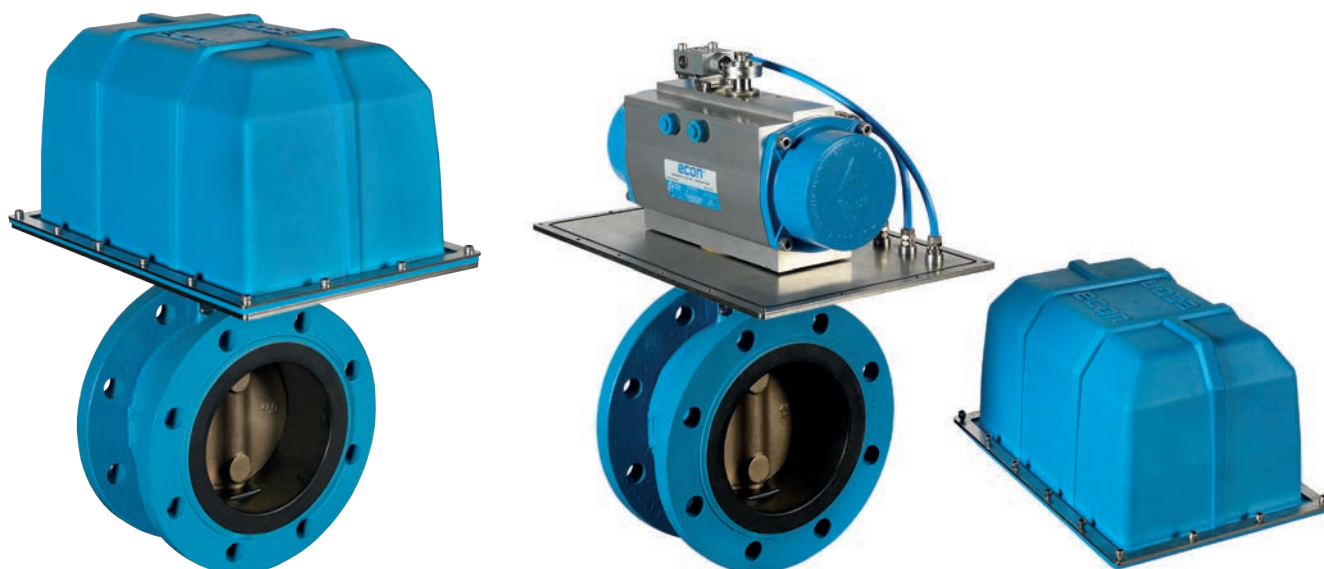
Fig. 7991 and 7992

- Torques up to 250.000Nm
- Double acting and spring return versions
- Pneumatic and hydraulic operated
- ATEX-classified for zone 1,2, 21 and 22
- Safety Integrity Rating IEC 61508 SIL 2 (SIL 3 in redundant configuration)

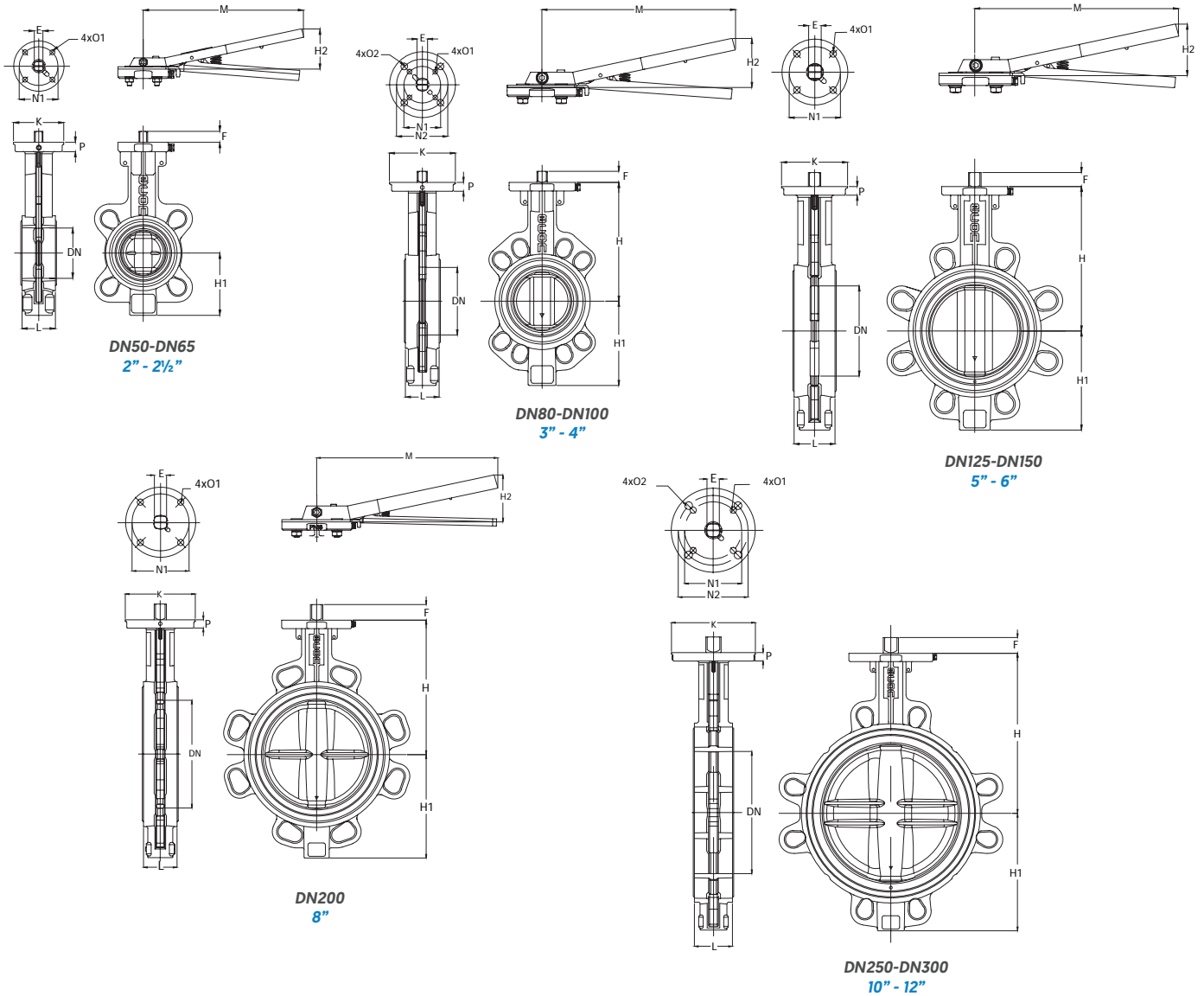


Actuator protector (DOME)

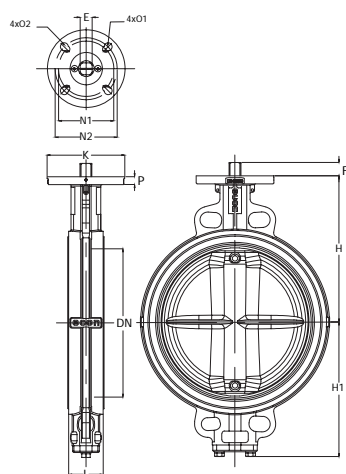
- Protects the actuator against highly corrosive environments
- Special version available for submerged applications up to 20 meters (65 feet).



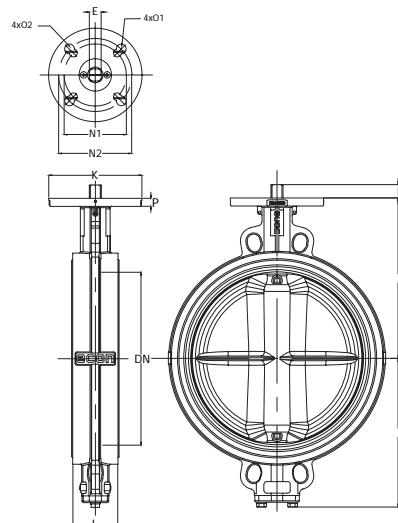
Dimensions series 63 | Wafer type



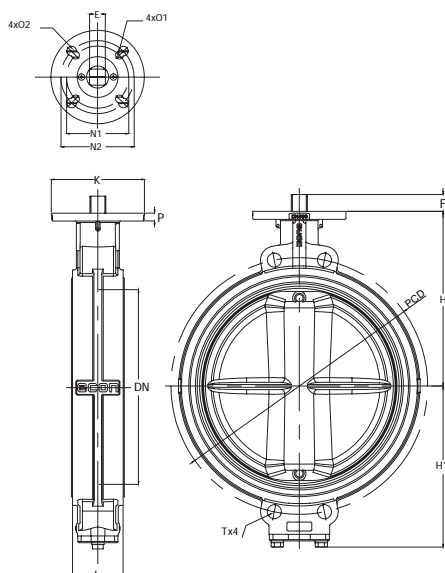
DN	NPS	H	H	H2	H2	H1	H1	L	L	P	P	K	K	□E	□E	F	F	∅N1	∅N1	∅N2	∅N2	∅O1	∅O1
mm	inch	mm	inch	mm	inch	mm	inch	mm	inch	mm	inch	mm	inch	mm	inch	mm	inch	mm	inch	mm	inch	mm	inch
50	2	143	5.63	52	2.05	80	3.15	43	1.69	12,0	0.47	65	2.56	11	0.43	14	0.55	50	1.97			7	0.28
65	2-½	155	6.10	52	2.05	90	3.54	46	1.81	12,0	0.47	65	2.56	14	0.55	15	0.59	50	1.97			7	0.28
80	3	162	6.38	63	2.48	115	4.53	46	1.81	12,0	0.47	90	3.54	14	0.55	15	0.59	50	1.97	70	2.76	7	0.28
100	4	181	7.13	63	2.48	125	4.92	52	2.05	12,0	0.47	90	3.54	14	0.55	19	0.75	70	2.76			9	0.35
125	5	197	7.76	63	2.48	130	5.00	56	2.20	12,0	0.47	90	3.54	17	0.67	19	0.75	70	2.76			9	0.35
150	6	210	8.27	63	2.48	140	5.51	56	2.20	15,0	0.59	125	4.92	17	0.67	19	0.75	102	4.02			11	0.43
200	8	240	9.45	84	3.31	185	7.28	60	2.36	15,0	0.59	125	4.92	22	0.87	28	1.10	102	4.02			11	0.43
250	10	286	11.26			210	8.27	68	2.68	15,0	0.59	150	5.91	22	0.87	28	1.10	102	4.02	125	4.92	11	0.43
300	12	309	12.17			245	9.65	78	3.07	17,0	0.67	150	5.91	27	1.06	30	1.18	125	4.92			14	0.55
350	14	329	12.95			303	11.93	78	3.07	21,0	0.83	175	6.89	27	1.06	30	1.18	125	4.92	140	5.51	14	0.55
400	16	361	14.21			335	13.19	102	4.02	21,0	0.83	175	6.89	27	1.06	30	1.18	140	5.51	165	6.50	18	0.71
450	18	393	15.47			363	14.29	114	4.49	21,0	0.83	210	8.27	36	1.42	38	1.50	140	5.51	165	6.50	18	0.71
500	20	427	16.81			397	15.63	127	5	21,5	0.85	210	8.27	36	1.42	38	1.50	140	5.51	165	6.50	18	0.71
600	24	492	19.37			459	18.07	154	6.06	22,0	0.87	210	8.27	46	1.81	49	1.93	165	6.50			22	0.87



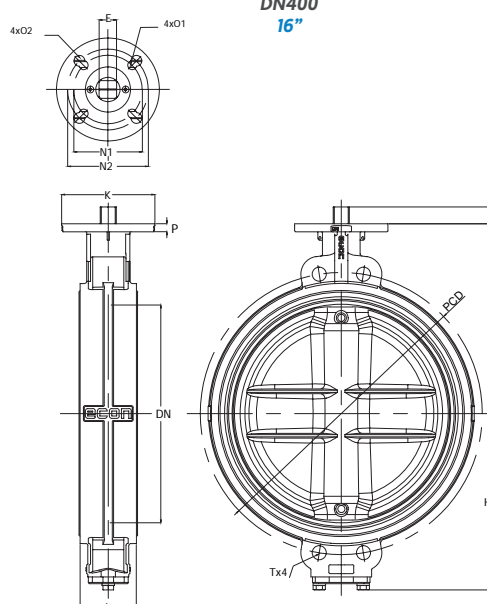
DN350
14"



DN400
16"



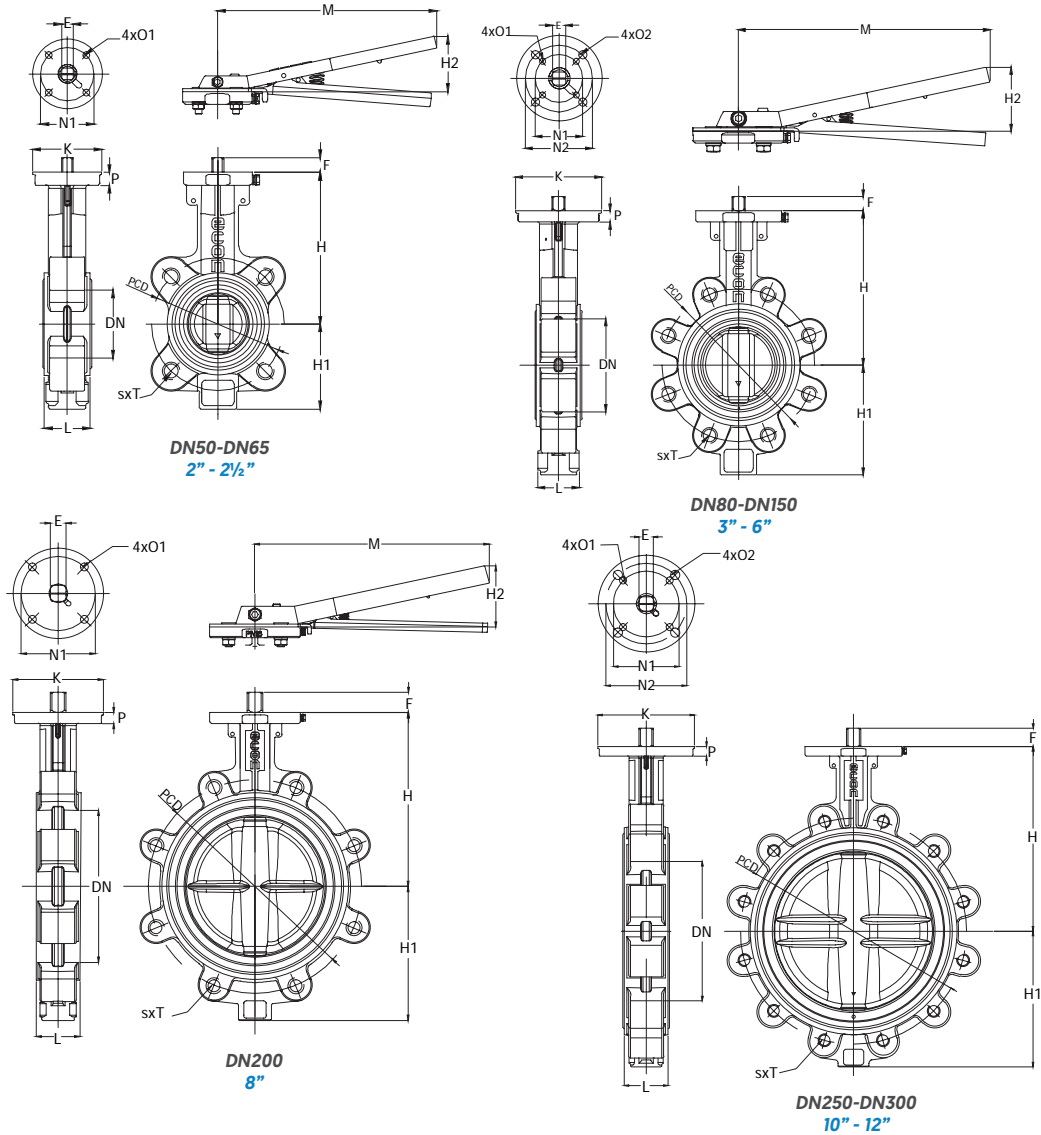
DN450
18"



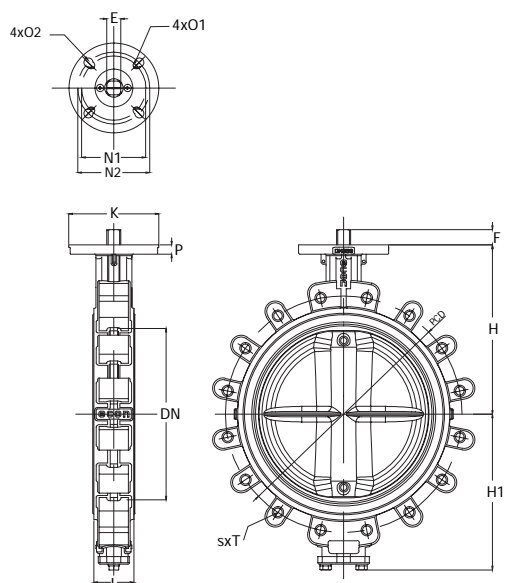
DN500-DN600
20"-24"

DN	NPS	ØO2	ØO2	T	T	T	PCD	PCD	PCD	PCD	PCD	PCD	PCD	PCD	without	without	with	with		
mm	inch	mm	inch	PN10	PN16	CL 150	PN6	PN6	PN10	PN10	PN16	PN16	CL 150	CL 150	M	M	lever	lever	lever	lever
							mm	inch	mm	inch	mm	inch	mm	inch	mm	inch	kg	lb	kg	lb
50	2						110	4.33	125	4.92	125	4.92	121,0	4-3/4	207	8.13	2.7	6.0	3.2	7.1
65	2-1/2						130	5.12	145	5.71	145	5.71	139,7	5-1/2	207	8.13	3.4	7.5	4.2	9.3
80	3	9	0.35				150	5.91	160	6.30	160	6.30	152,4	6	248	9.79	4.4	9.7	5.2	11.5
100	4						170	6.69	180	7.09	180	7.09	190,0	7-1/2	248	9.79	5.3	11.7	6.1	13.5
125	5						200	7.87	210	8.27	210	8.27	215,9	8-1/2	248	9.79	7.6	16.8	8.4	18.5
150	6						225	8.86	240	9.45	240	9.45	241,0	9-1/2	265	10.43	9.5	20.9	10.3	22.7
200	8						280	11.02	295	11.61	295	11.61	298,4	11-3/4	324	12.76	14.6	32.2	16.3	35.9
250	10	14	0.55				335	13.19	350	13.38	355	13.98	361,9	14-1/4			21.5	47.4		
300	12						395	15.55	400	15.75	410	16.14	431,8	17			32.0	70.5		
350	14	18	0.71						460	18.11	470	18.50	476,2	18-3/4			42.2	93.0		
400	16	22	0.87						515	20.28	525	20.66	539,8	21-1/4			61.7	136.0		
450	18	22	0.87	M24	M27	1-1/8" UNC			565	22.24	585	23.03	577,9	22-3/4			91.2	201.1		
500	20	22	0.87	M24	M30	1-1/2" UNC			620	24.41	650	25.59	635,0	25			111.0	244.7		
600	24			M27	M33	1-3/4" UNC			725	28.54	770	30.31	749,3	29-1/2			183.0	403.4		

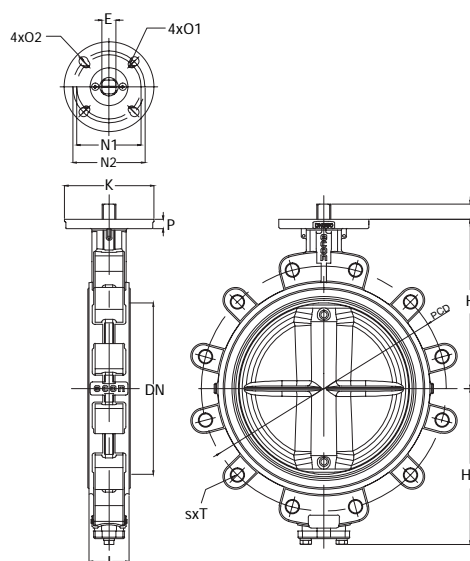
Dimensions series 64 | Lug type



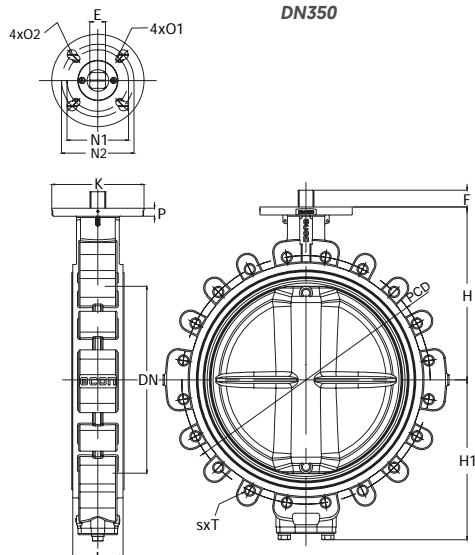
DN	NPS	H	H	H2	H2	H1	H1	L	L	P	P	K	K	□E	□E	F	F	ØN1	ØN1	ØN2	ØN2	ØO1	ØO1
mm	inch	mm	inch	mm	inch	mm	inch	mm	inch	mm	inch	mm	inch	mm	inch	mm	inch	mm	inch	mm	inch	mm	inch
50	2	143	5.63	52	2.05	80	3.15	43	1.69	12,0	0.47	65	2.56	11	0.43	14	0.55	50	1.97			7	0.28
65	2-1/2	155	6.10	52	2.05	90	3.54	46	1.81	12,0	0.47	65	2.56	14	0.55	15	0.59	50	1.97			7	0.28
80	3	162	6.38	63	2.48	115	4.53	46	1.81	12,0	0.47	90	3.54	14	0.55	15	0.59	50	1.97	70	2.76	7	0.28
100	4	181	7.13	63	2.48	125	4.92	52	2.05	12,0	0.47	90	3.54	14	0.55	19	0.75	70	2.76			9	0.35
125	5	197	7.76	63	2.48	130	5.00	56	2.20	12,0	0.47	90	3.54	17	0.67	19	0.75	70	2.76			9	0.35
150	6	210	8.27	63	2.48	140	5.51	56	2.20	15,0	0.59	125	4.92	17	0.67	19	0.75	102	4.02			11	0.43
200	8	240	9.45	84	3.31	185	7.28	60	2.36	15,0	0.59	125	4.92	22	0.87	28	1.10	102	4.02			11	0.43
250	10	286	11.26			210	8.27	68	2.68	15,0	0.59	150	5.91	22	0.87	28	1.10	102	4.02	125	4.92	11	0.43
300	12	309	12.17			245	9.65	78	3.07	17,0	0.67	150	5.91	27	1.06	30	1.18	125	4.92			14	0.55
350	14	329	12.95			303	11.93	78	3.07	21,0	0.83	175	6.89	27	1.06	30	1.18	125	4.92	140	5.51	14	0.55
400	16	361	14.21			335	13.19	102	4.02	21,0	0.83	175	6.89	27	1.06	30	1.18	140	5.51	165	6.50	18	0.71
450	18	393	15.47			363	14.29	114	4.49	21,0	0.83	210	8.27	36	1.42	38	1.50	140	5.51	165	6.50	18	0.71
500	20	427	16.81			397	15.63	127	5	21,5	0.85	210	8.27	36	1.42	38	1.50	140	5.51	165	6.50	18	0.71
600	24	492	19.37			459	18.07	154	6.06	22,0	0.87	210	8.27	46	1.81	49	1.93	165	6.50			22	0.87



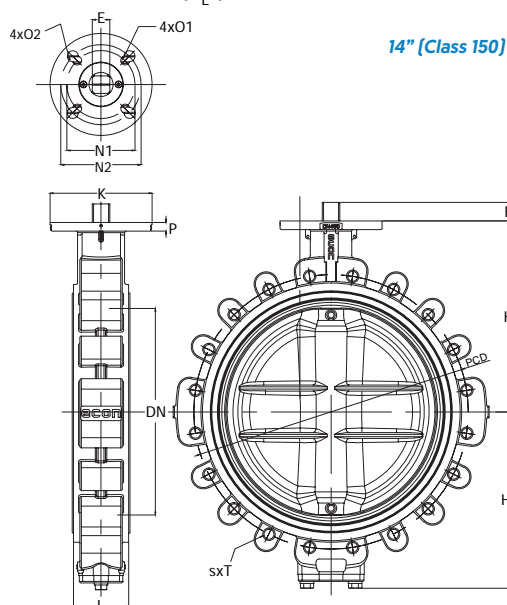
DN350



14" (Class 150)



DN400-DN450
16"-18"



DN500-DN600
20"-24"

DN	NPS	ØO2	ØO2	sxT	sxT	sxT	PCD PN10	PCD PN10	PCD PN16	PCD PN16	PCD CL 150	PCD CL 150	M	M	without lever	without lever	with lever	with lever
mm	inch	mm	inch	PN10	PN16	CL 150	mm	inch	mm	inch	mm	inch	mm	inch	kg	lb	kg	lb
50	2			4xM16	4xM16	4x ³ / ₈ " UNC	125	4.92	125	4.92	121,0	4- ³ / ₄	207	8.13	3.4	7.4	3.9	8.6
65	2- ¹ / ₂			4xM16	4xM16	4x ³ / ₈ " UNC	145	5.71	145	5.71	139,7	5- ¹ / ₂	207	8.13	4.3	9.5	5.1	11.2
80	3	9	0.35	8xM16	8xM16	4x ³ / ₈ " UNC	160	6.30	160	6.30	152,4	6	248	9.79	5.9	13.0	6.7	14.8
100	4			8xM16	8xM16	8x ³ / ₈ " UNC	180	7.09	180	7.09	190,0	7- ¹ / ₂	248	9.79	7.4	16.3	8.2	20.3
125	5			8xM16	8xM16	8x ³ / ₄ " UNC	210	8.27	210	8.27	215,9	8- ¹ / ₂	248	9.79	10.0	22.1	10.8	23.8
150	6			8xM20	8xM20	8x ³ / ₄ " UNC	240	9.45	240	9.45	241,0	9- ¹ / ₂	265	10.43	12.7	28.0	13.5	29.8
200	8			8xM20	12xM20	8x ³ / ₄ " UNC	295	11.61	295	11.61	298,4	11- ³ / ₄	324	12.76	17.5	38.6	19.2	42.3
250	10	14	0.55	12xM20	12xM24	12x ⁷ / ₈ " UNC	350	13.78	355	13.98	361,9	14- ¹ / ₄			26.5	58.4		
300	12			12xM20	12xM24	12x ⁷ / ₈ " UNC	400	15.75	410	16.14	431,8	17			36.0	79.4		
350	14	18	0.71	16xM20	16xM24	12x1" UNC	460	18.11	470	18.50	476,2	18- ³ / ₄			56.7	125.0		
400	16	22	0.87	16xM24	16xM27	16x1" UNC	515	20.28	525	20.66	539,8	21- ¹ / ₄			86.7	191.1		
450	18	22	0.87	20xM24	20xM27	16x1- ¹ / ₈ " UNC	565	22.24	585	23.03	577,9	22- ³ / ₄			118.2	260.6		
500	20	22	0.87	20xM24	20xM30	20x1- ¹ / ₈ " UNC	620	24.41	650	25.59	635,0	25			160.7	354.3		
600	24			20xM27	20xM33	20x1- ¹ / ₄ " UNC	725	28.54	770	30.31	749,3	29- ¹ / ₂			240.6	530.4		

Econ® Resilient Lined Butterfly Valve Portfolio

Series 67 and 68 | Replaceable rubber liner on a phenolic back-up ring

Design | Concentric design, replaceable liner

Main applications | Building services, Greenhouses

Valve types | Wafer type and lug type

Size range | DN25 up to DN600 (1" up to 24")

Flange connections | EN 1092-2 PN6, PN10 and PN16
ASME B16.5 Class 150

Operation | Lever, worm gearbox, pneumatic,
electric or hydraulic actuator

Available liners and discs



Series 67 with TFM1600 lined EPDM seat

Liners	Discs
EPDM	Stainless steel
NBR / (Buna-N)	Aluminium-bronze
PTFE-lined EPDM	

Fig. 67311 and 68311 (with hand lever) | Fig. 67321 and 68321 (with gear box) Replaceable rubber liner on a phenolic back-up ring

Design | Concentric design, replaceable liner

Main applications | Valves for gas distribution systems with a maximum operating pressure less than or equal to 16 bar (EN 13774). Fuel gas applications of the first, second and third family, according to EN 437.

- 1st - Gases made of coal or oil products
- 2nd - Natural gas
- 3rd - LPG (Liquid Petroleum Gas)

Valve types | Wafer type and lug type

Size range | DN50 up to DN600 (2" up to 24")

Flange connections | EN 1092-2 PN6, PN10 and PN16
ASME B16.5 Class 150

Operation | Lever, worm gearbox, pneumatic,
electric or hydraulic actuator

Available liners and discs



Fig. 67311

Fig. 68321

Liners	Discs
DVGW-approved NBR / Buna-N	Stainless steel



Series 63 and 64 | Replaceable rubber liner

Design | Concentric design, replaceable liner

Main applications | Industrial, Food & Beverage

Valve types | Wafer type and lug type

Size range | DN50 up to DN600 (2" up to 24")

Flange connections | EN 1092-2 PN6, PN10 and PN16
ASME B16.5 Class 150

Operation | Lever, worm gearbox, pneumatic,
electric or hydraulic actuator

Available liners and discs:



Series 63

Series 64

liners	Discs
EPDM-HT	Stainless steel
EPDM-FDA (food grade)	Aluminium-bronze
NBR-HT / BUNA-N	Ductile iron with Rilsan coating
FPM (FKM)	Ductile iron with ECTFE coating
H-NBR	Duplex
MVQ - Silicone	Hastelloy
CR - Neoprene	
CSM - Hypalon	
ECO - Epichlorohydrin	

Series 46, 57, 58, 60 and 61 | Non-replaceable rubber liner, vulcanized to the valve body

Design | Concentric design, liner bonded to the valve body

Main applications | Maritime / Shipbuilding and Offshore

Valve types | Double flanged, wafer type, lug type and mono flange type

Size range | DN40 up to DN1600 (1.1/2" up to 64")

Flange connections | EN 1092-2 PN6, PN10 and PN16
ASME B16.5 Class 150
JIS 5K, 10K and 16K

Operation | Lever, tilting lever, worm gearbox, pneumatic,
electric or hydraulic actuator

Body materials | Ductile iron or aluminium-bronze

Available liners and discs:



Series 46

Series 57

Series 58

Series 60 and 61

Liners	Discs
NBR / Buna-N	Aluminium-bronze
EPDM	Stainless steel
FKM / FPM	

Series 46-KIWA, 57-KIWA, 58-KIWA, 60-KIWA and 61-KIWA Non-replaceable rubber liner, vulcanized to the valve body

Design | Concentric design, liner bonded to the valve body

Main applications | Drinking water

Valve types | Double flanged, wafer type, lug type and mono flange type

Size range | DN50 up to DN1600 [2" up to 64"]

Flange connections | EN 1092-2 PN6, PN10 and PN16

Operation | Lever, tilting lever, worm gearbox, pneumatic, electric or hydraulic actuator

Body materials | Ductile iron

Available liners and discs:

CERTIFIED FOR WATER



Series 46-KIWA



Series 57-KIWA



Series 58-KIWA



Series 60-KIWA

Liners	Discs
EPDM-KIWA	Duplex

Series 48 | Non-replaceable rubber lined disc

Design | Concentric design, rubber seal vulcanized on the disc

Main application | Building services

Valve types | Grooved ends connections

Size range | DN50 up to DN300 [2" up to 12"]

Pipe connections | PN16, grooved connections according to ANSI/AWWA C606-97

Operation | Lever or worm gearbox

Body materials | Ductile iron

Available seats/discs | Ductile iron EPDM or NBR (Buna-N) lined



Fig. 4801



Fig. 4802



Series 921, 922 and 923 | Replaceable rubber liner, vulcanized on a stainless steel ring

Design | Double eccentric design, replaceable liner

Main applications | Offshore, FPSO, FSO and Maritime / Shipbuilding

Valve types | Double flange, wafer type and lug type

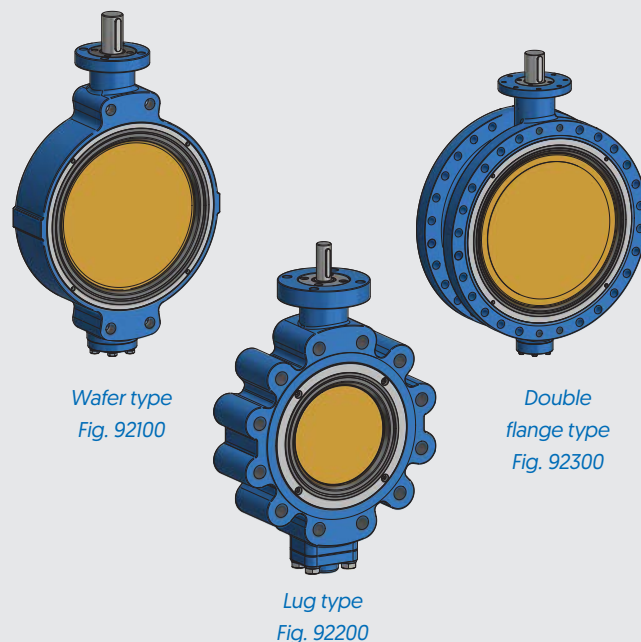
Size range | DN100 up to DN1200 (4" up to 48")

Flange connections | EN 1092-1 PN10, PN16 and PN25, ASME B16.5 Class 150, JIS 5K, 10K and 16K

Operation | Lever, worm gearbox, pneumatic, electric or hydraulic actuator

Body materials | Ductile iron, cast steel, stainless steel and aluminium-bronze

Available liners and discs:



Wafer type
Fig. 92100

Double
flange type
Fig. 92300

Lug type
Fig. 92200

Liners	Discs
EPDM	Ductile Iron, Rilsan coated
NBR / Buna-N	Aluminium-bronze
FPM (FKM)	Stainless steel
PTFE lined NBR or FKM	Monel

Series 49 | Replaceable PTFE liner

Design | Concentric design, replaceable liner

Main applications | Chemical industry, corrosive and abrasive liquids or gases

Valve types | Wafer type and lug type

Size range | DN40 up to DN1050 (1½" up to 42")

Flange connections | EN 1092-1 PN10 and PN16 (up to size DN150), ASME B16.5 Class 150

Operation | Stainless steel lever, worm gearbox, pneumatic, electric or hydraulic actuator

Body materials | Ductile iron, cast steel, stainless steel and Duroplast (conductive plastic)

Available liners and discs:



Series 49

Series 49LUG



Liners	Discs
PTFE	Duplex
TFM (modified PTFE)	Duplex with PFA liner
TFM conductive	Duplex with PFA conductive liner
UHMPE	Duplex polished
	Titanium
	Hastelloy C22

ERIKS

Flow Control

Visiting address

Cypresbaan 63
2908 LT Capelle aan den IJssel
The Netherlands

The Netherlands

T +31 88 855 81 00
E info.capelle@eriks.nl

Belgium

T +32 3 829 28 20
E valves@eriks.be

France

T +33 1 34 82 10 00
E eriks.valves@eriks.fr

Germany

T +49 2236 8916 301
E armaturen@eriks.de

United Kingdom

T +44 116 272 7300
E efcleicester@eriks.co.uk

Follow ERIKS online:



www.eriks.nl/socialmedia

 www.eriks.nl

 shop.eriks.nl