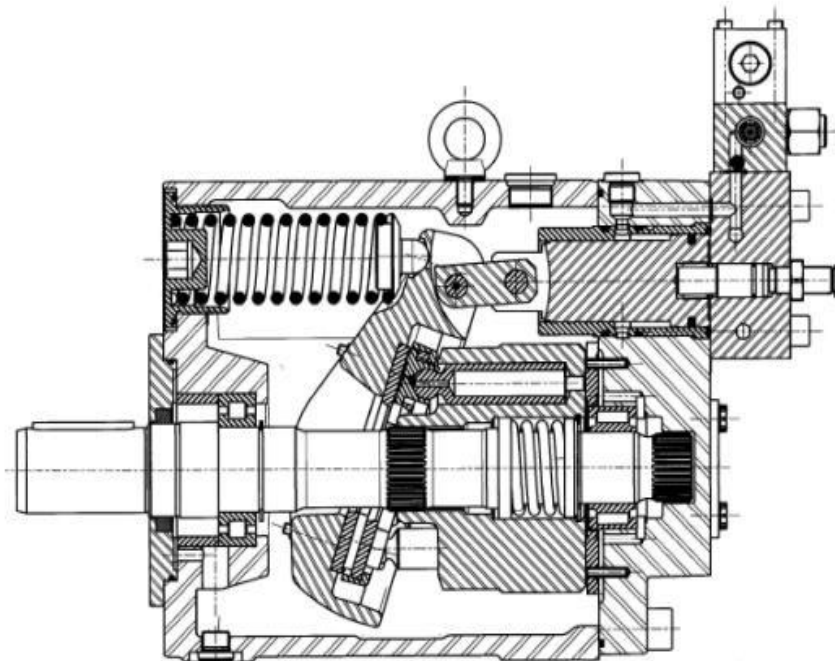


Hydrokraft Axialkolbenpumpen

Spare parts list

PVX-066 ... 250 open loop CW

PVX



Directory

1	Spare parts (general)	3
2	Basic pump	
	2.1 Basic pump explosion view	4
	2.2 Basic pump rotating group 1	5
	2.3 Basic pump rotating group 2	6
	2.4 Basic pump shaft and bearings	7
	2.5 Basic pump accessories	8
3	Position indicator	
	3.1 Position indicator optical	9
	3.2 Position indicator closed	10
	3.3 Position indicator electrical	11
	3.4 Position indicator electrical / optical	12
4	DF control	
	4.1 DF control spring centering	13
	4.2 DF control link between yoke and control piston	14
	4.3 DF control piston and sleeve	15
	4.4 DF control pressure control valve	16
	4.5 DF control adapter plate with max. adjustment screw	17
	4.6 DF control accessories	18
5	LR control	
	5.1 LR control spring centering	19
	5.2 LR control link between yoke and control piston	20
	5.3 LR control piston and sleeve	21
	5.4 LR control pressure control valve	22
	5.5 LR control power control valve	23
	5.6 LR control adapter plate	24
	5.7 LR control accessories	25
6	ST control	
	6.1 ST control spring centering	26
	6.2 ST control link between yoke and control piston	27
	6.3 ST control piston and sleeve	28
	6.4 ST control adapter plate	29
	6.5 ST control accessories	30
7	Control options	
	7.1 Control options loadsensing	31
	7.2 Control options dressure control with prop.-valve	32
	7.3 Venting valve	33

1 Spare parts

Repairs during the warranty period must be made by EATON or authorized service stations only, otherwise warranty claims will not be accepted.

Only genuine EATON spare parts must be used.

The spare parts list shows the availability of spare part kits.

Sub-assemblies are not available as single parts.

To ensure a fast response to inquiries and that the correct spare parts are supplied, always provide the model code, the part no. and the serial no. as shown on the name plate

Contact tel. : +49 (0) 6081 103 0 (switchboard)

Name plate

The name plate is a rectangular metal plate with the following information:

- Top left: **Vickers Hydrokraft Piston**
- Top right: **Made in Germany**
- Center: **V** (model code) and **EATON** logo
- Below logo: **TYPE** (field)
- Part No. (field) and Date (field)
- Technical specifications:
 - Vg max (field) cm³ and n_{max} (field) min⁻¹
 - V (field) cm³ and P_N **350** bar
 - √ **12...75** mm³/s and P_{max} **420** bar
- Instructions in German, English, and Italian.
- Bottom: **EATON GERMANY GmbH, 61273 Wehrheim, Germany**

Callouts point to:

- Serial no.**: Points to the 'V' model code.
- Part no.**: Points to the 'Part No.' field.
- manufacturer code**: Points to the 'Date' field.

2. Basic pump
2.1 Drawing

ITEM NO.	QTY.	DESCRIPTION
1	4	Screw
2	4	Sealing Ring
3	1	Cover
4	1	Shaft Seal
5	1	O-Ring
6	1	Distance Piece
7	1	Housing
8	1	Plug
9	1	Wash Plate
10	1	Plate For Rotation Direction
11	6	Rivet
12	1	Plug
13	1	Plug
14	1	Key
15	1	Shaft
16	1	Bearing Assy. Shaft (Front)
17	1	Clirclip
18	2	Cradle Bearing
19	2	Screw
20	4	Nut
21	4	Washer
22	4	Compression Spring
23	1	Yoke
24	4	Spring Pin
25	1	Wear Plate
26	1	Retaining Ring
27	9	Piston And Shoe Assembly
28	1	Hold Down Ring
29	4	Screw
30	1	Back Up Ring
31	3	O-Ring
32	1	Control Piston Sleeve
33	2	Floating Ring Sleeve
34	1	Control Piston Seal
35	1	Connecting Link
36	2	Clirclip
37	1	Ball
38	1	Ball
39	1	Washer
40	1	Split Pin
41	1	Spring Retainer
42	1	Compression Spring
43	1	O-Ring
44	1	Screw Plug
45	1	Cylinder Barrel
46	1	Ring
47	1	Compression Spring
48	1	Ring
49	1	Clirclip
50	1	Valve Plate
51	1	Sealing (O-Ring or Gasket)
52	2	Pin
53	1	Threaded Pin
54	2	Spring Pin
55	1	Pin
56	1	O-Ring
57	1	Part Plate
58	1	O-Ring (Optional)
59	1	Flange (Optional)
60	4	Screw (Optional)
61	1	Sealing Ring
62	1	Plug
63	1	Bearing Assy. Shaft (Rear)
64	1	Plug
65	4	Screw
66	1	Plug
67	1	O-Ring
68	1	Back-up Ring
69	1	Stroke Limitation Ring (Optional)
70	1	Stroke Limitation Ring (Optional)

DATE	DESCRIPTION	BY	CHKD
2010-07-14	A ENGINEERING RELEASE		

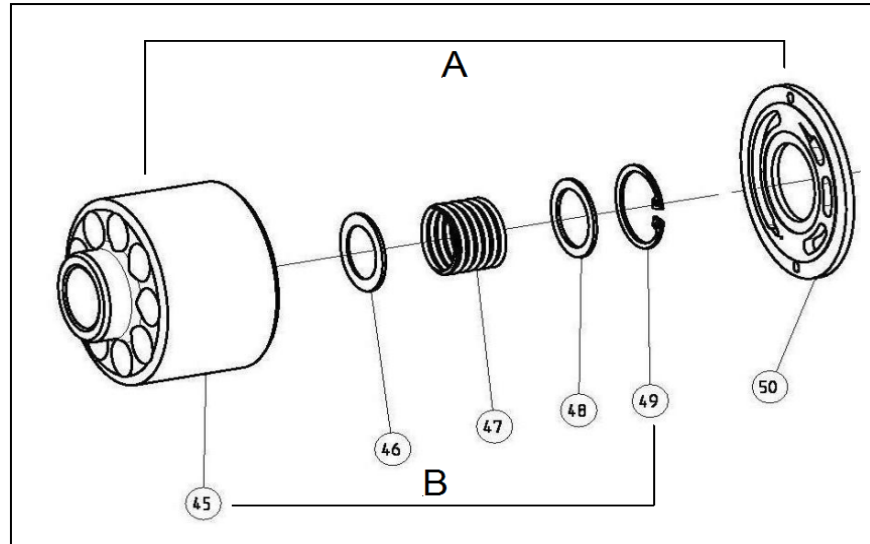
REF. PART NO. RE20605206212
REF. MODEL: BASIC PUMP PXXS-090

ASSEMBLY EXPLODED VIEW

A0 0-HC 03605206214.2

1 OF 1

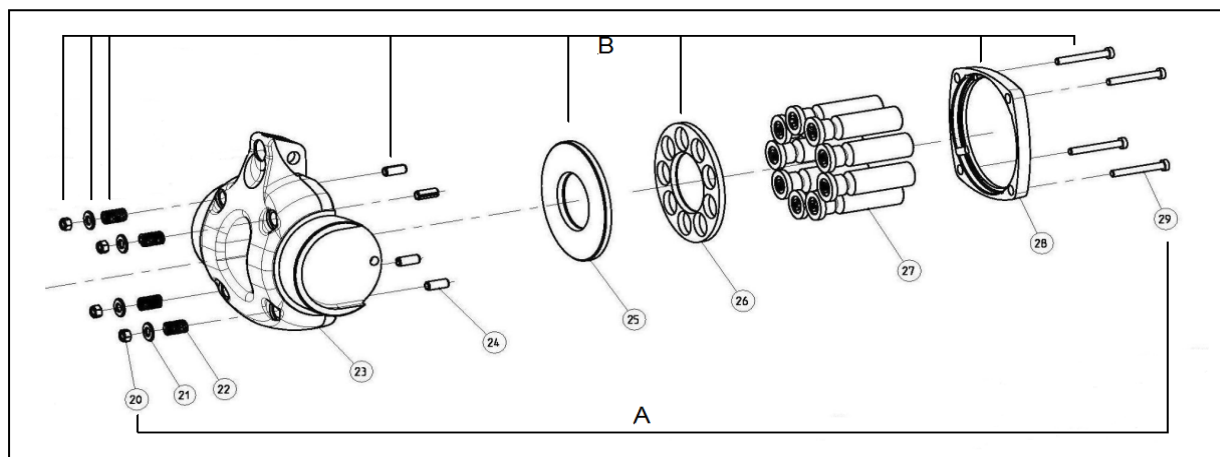
2. Basic Pump
2.2 Rotating Group 1



Pos.	Description	Pump size				
		066	090	130	180	250
A	Kit piston block and wafer plate	HC966052091600	HC966052091602	HC966061091600	HC966062091650	HC966072091600
B	Kit piston block	HC206052091601	HC206052091602	HC106061080001	HC106061080000	HC206072091601
45	Piston block	- / -	- / -	- / -	- / -	- / -
46	Ring	- / -	- / -	- / -	- / -	- / -
47	Spring	- / -	- / -	- / -	- / -	- / -
48	Ring	- / -	- / -	- / -	- / -	- / -
49	Lock washer	- / -	- / -	- / -	- / -	- / -
50	Wafer plate	HC166052100440	HC166052100440	HC166062100408	HC166062100440	HC166072100414

2. Basic Pump

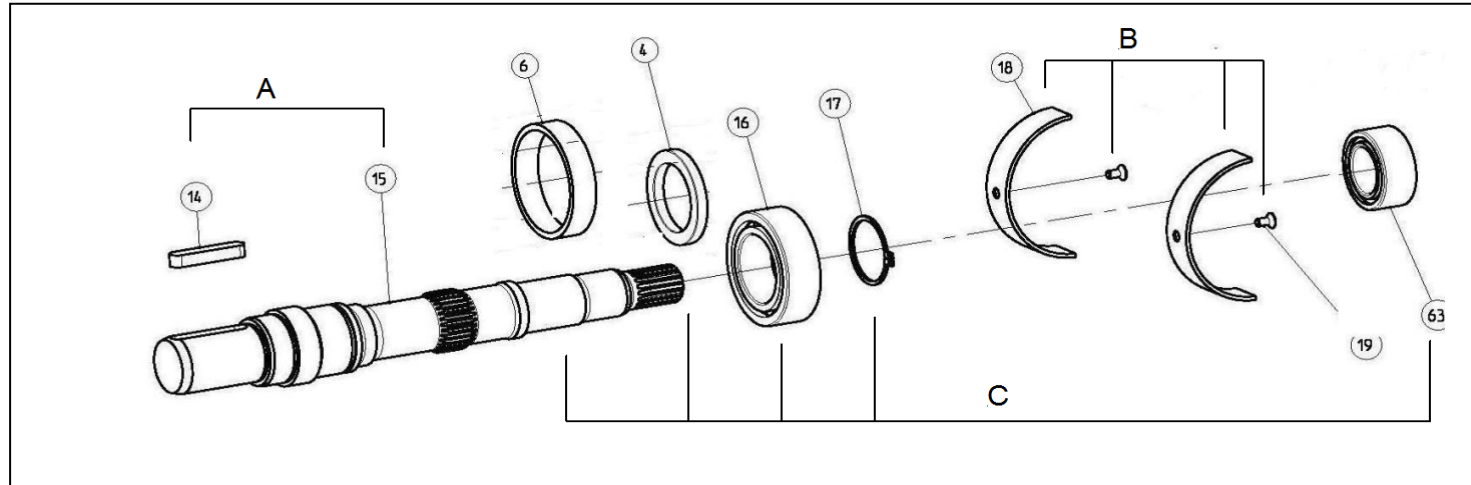
2.3 Rotating Group 2



Pos.	Description	Pump size				
		066	090	130	180	250
A	Kit yoke and piston pre-assembled	HC106051020000	HC106051020004	HC106061020006	HC106061020003	HC106071020000
20	Nut	- / -	- / -	- / -	- / -	- / -
21	Washer	- / -	- / -	- / -	- / -	- / -
22	Spring	- / -	- / -	- / -	- / -	- / -
23	Yoke	HC106052100300	HC106052100300	HC106062100300	HC106062100300	HC106072100304
24	Clamping sleeve	- / -	- / -	- / -	- / -	- / -
25	Sliding disc	HC106051100404	HC106051100404	HC106061100401	HC106061100401	HC106071100402
26	Hole plate	HC106051100502	HC106051100540	HC106061100502	HC106061100502	HC106071100503
27	Piston kit (9 pcs.)	HC206052091701	HC206052091702	HC206062091701	HC206062091740	HC206072091701
28	Holding ring	HC106051100603	HC106051100603	HC106061100603	HC106061100603	HC106071100603
29	Screw	- / -	- / -	- / -	- / -	- / -
B	Kit hold down system	HC206052091800	HC206052091800	HC206062091800	HC206062091800	HC206072091800
C	Kit fixing parts hold down system (20,21,22,24,29)	HC206052091901	HC206052091901	HC206062091900	HC206062091900	HC206072091901

2. Basic Pump

2.4 Shaft and Bearings



Pos.	Description	Pump size				
		066	090	130	180	250
A	Kit shaft and key	HC966052011001	HC966052011001	HC966062011000	HC966062011000	HC966072011000
B	Kit cradle bearings	HC206052091211	HC206052091211	HC206062091211	HC206062091211	HC206072091221
C	Bearing kit	HC966051091200	HC966051091200	HC966061091200	HC966061091200	HC966075091200
4	Ring	- / -	- / -	- / -	- / -	- / -
6	Ring	- / -	- / -	- / -	- / -	- / -
14	Key	- / -	- / -	- / -	- / -	- / -
15	Shaft	- / -	- / -	- / -	- / -	- / -
16	Bearing shaft	- / -	- / -	- / -	- / -	- / -
17	Lock washer	- / -	- / -	- / -	- / -	- / -
18	Cradle bearing	- / -	- / -	- / -	- / -	- / -
19	Screw	- / -	- / -	- / -	- / -	- / -
63	Bearing port plate	- / -	- / -	- / -	- / -	- / -

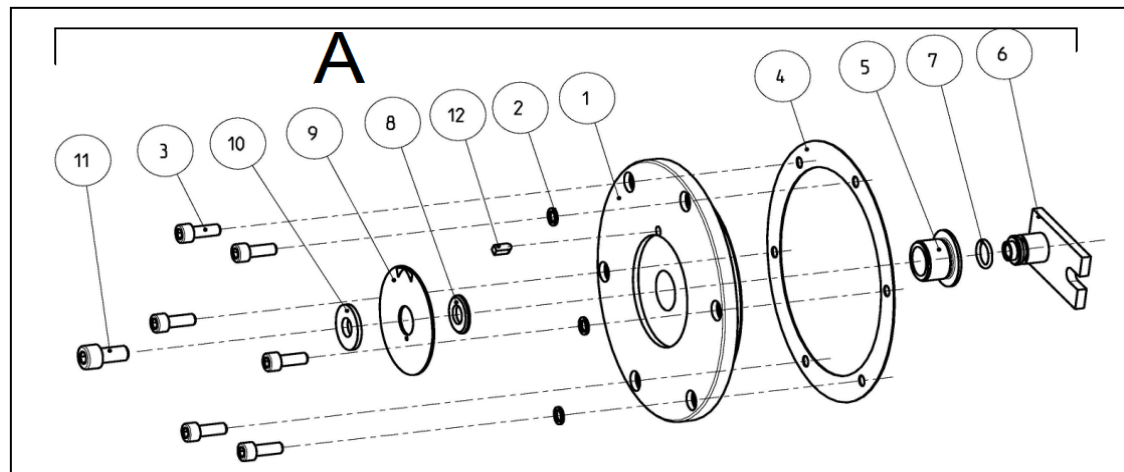
2. Basic Pump
2.5 Accessories

Pos.	Description	Baugröße				
		066	090	130	180	250
A	Seal kit (VITON) included shaft seal	HC206052063300	HC206052063300	HC206062063300	HC206062063300	HC206072063300
4	Shaft seal	HC000000013532	HC000000013532	HC000000013533	HC000000013533	HC000000013534
51*	Flat gasket	HC166052100505	HC166052100505	HC166062100505	HC166062100505	HC166072100507
B	Fixing parts basic pump	HC206052093000	HC206052093000	HC206062093040	HC206062093040	HC206072093000

51* min. order quantity 5 pcs.

3. Position indicator

3.1 Position indicator optical



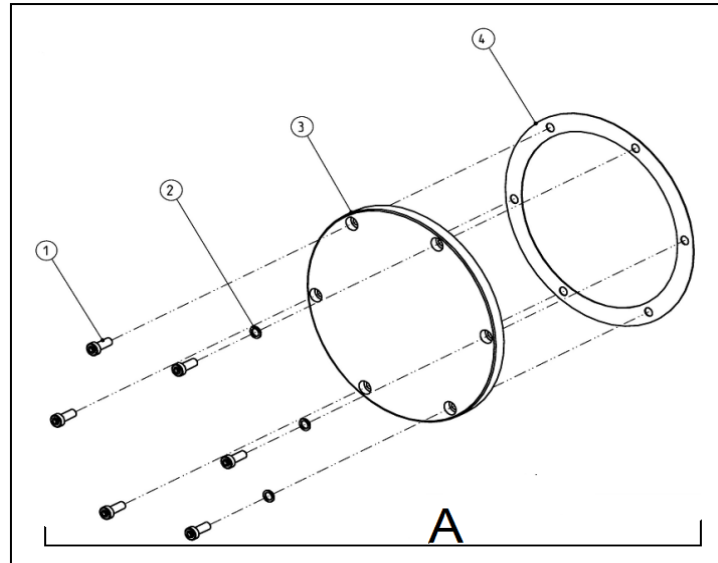
Pos.	Description	Pump size				
		066	090	130	180	250
A	Kit position indicator optical	HC496052021602	HC496052021602	HC496062021600	HC496062021600	HC496072021602
4*	Flat gasket	HC406052100602	HC406052100602	HC406062100602	HC406062100602	HC406072100502

4* min. order quantity 5 pcs.

seal parts are included in the seal kit basic pump

3. Position indicator

3.2 Position indicator closed



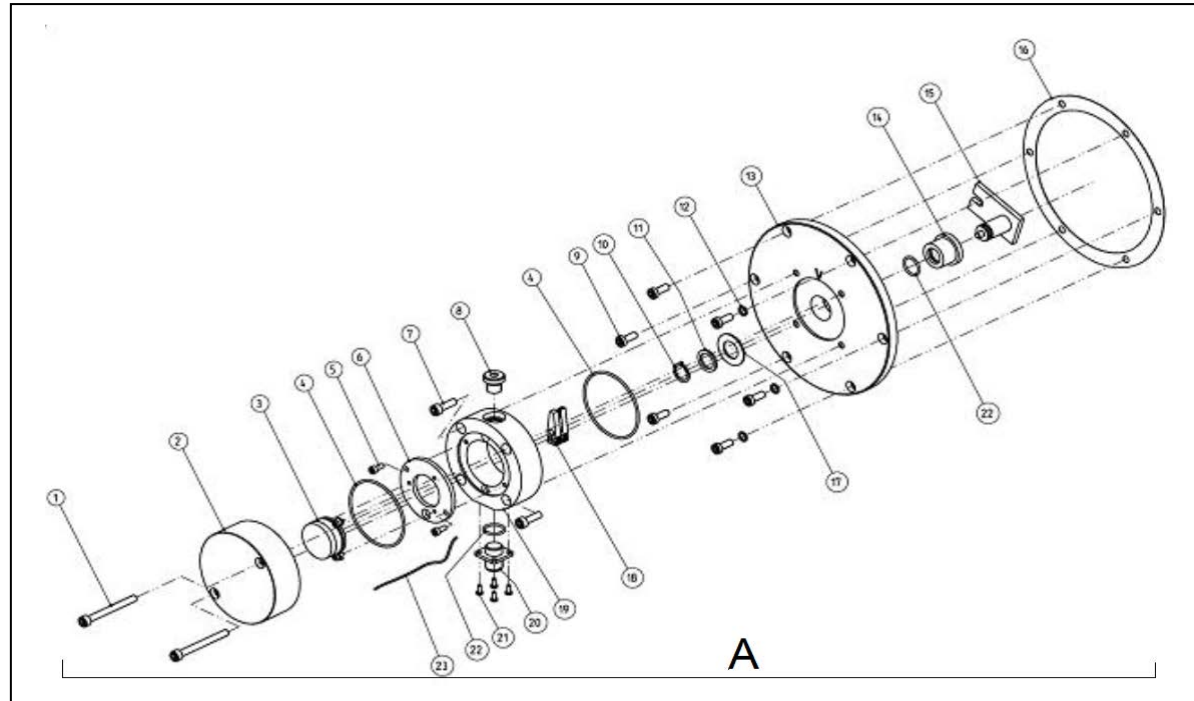
Pos.	Description	Pump size				
		066	090	130	180	250
A	Kit position indicator closed	HC496052021000	HC496052021000	HC496062021000	HC496062021000	HC496072021000
1	screw	- / -	- / -	- / -	- / -	- / -
2	seal ring	- / -	- / -	- / -	- / -	- / -
3	cover	- / -	- / -	- / -	- / -	- / -
4*	Flat gasket	HC406052100602	HC406052100602	HC406062100602	HC406062100602	HC406072100502

4* min. order quantity 5 pcs.

seal parts are included in the seal kit basic pump

3. Position indicator

3.3 Position indicator electrical

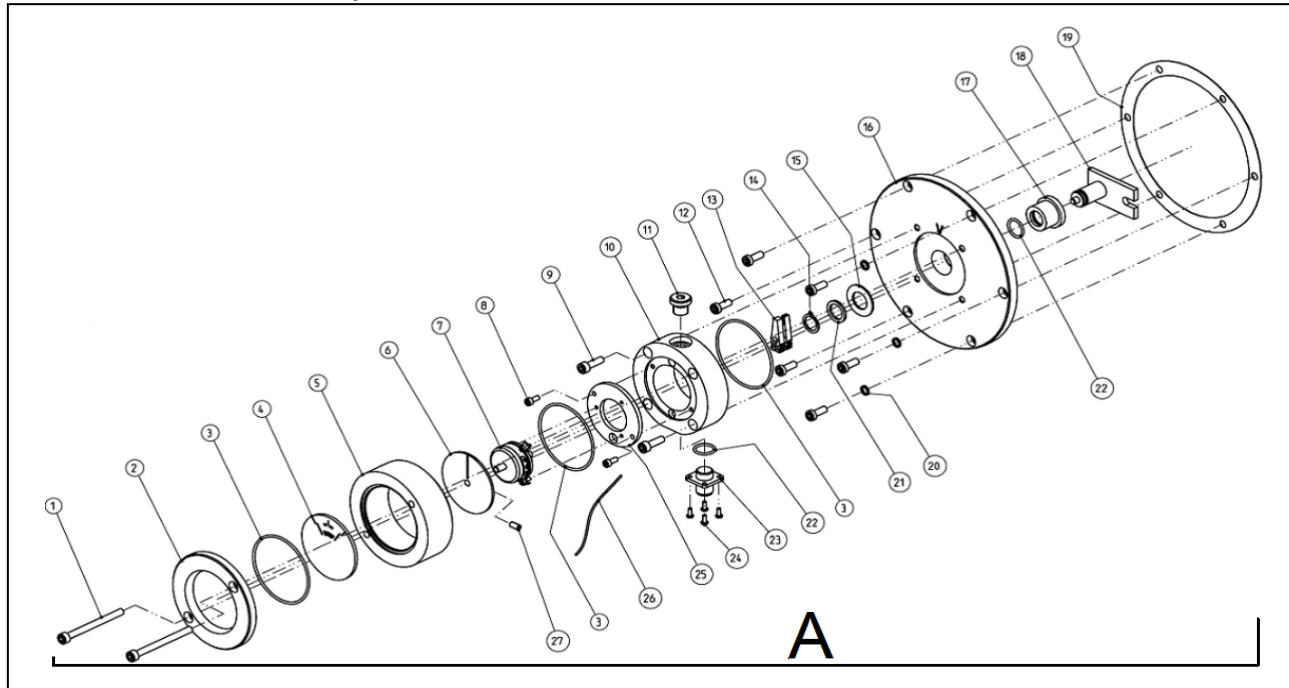


Pos.	Description	Pump size				
		066	090	130	180	250
A	Kit position indicator electrical	HC496052021605	HC496052021605	HC496062021507	HC496062021507	HC496072021601
3	potentiometer	HC000000133733	HC000000133733	HC000000133733	HC000000133733	HC000000133733
18	fork coupling	HC000000130777	HC000000130777	HC000000130777	HC000000130777	HC000000130777
20	connector	HC000000132081	HC000000132081	HC000000132081	HC000000132081	HC000000132081
16*	Flat gasket	HC406052100602	HC406052100602	HC406062100602	HC406062100602	HC406072100502

16* min. order quantity 5 pcs.

3. Position indicator

3.4 Position indicator electrical / optical

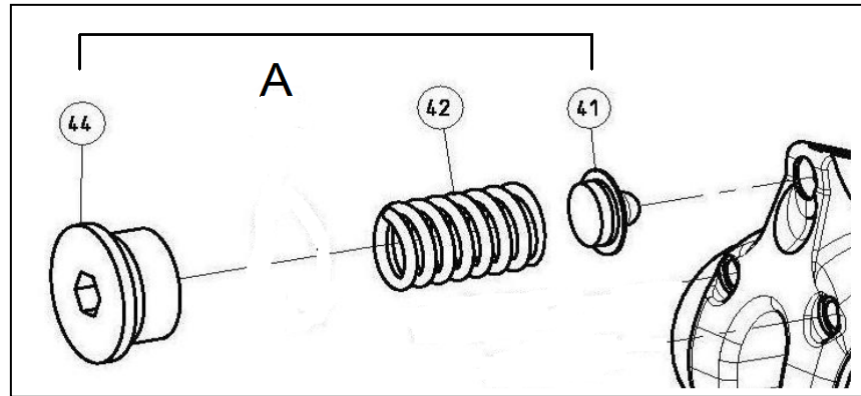


Pos.	Description	Pump size				
		066	090	130	180	250
A	Kit position indicator electrical / optical	HC496052021604	HC496052021604	HC496062021617	HC496062021617	HC496072021605
7	potentiometer	HC000000317060	HC000000317060	HC000000317060	HC000000317060	HC000000317060
13	fork coupling	HC000000130777	HC000000130777	HC000000130777	HC000000130777	HC000000130777
23	connector	HC000000132081	HC000000132081	HC000000132081	HC000000132081	HC000000132081
19*	Flat gasket	HC406052100602	HC406052100602	HC406062100602	HC406062100602	HC406072100502

19* min. order quantity 5 pcs.

4. DF control

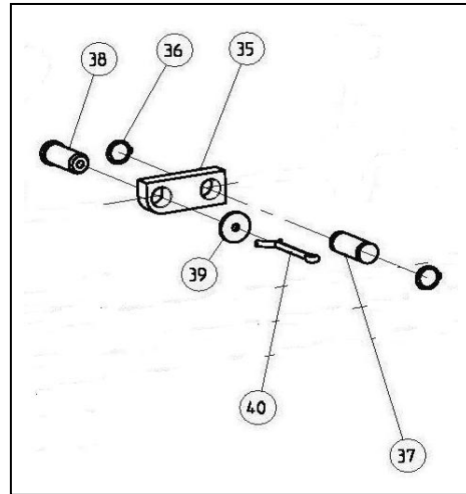
4.1 Spring centering



Pos.	Description	Pump size				
		066	090	130	180	250
A	Kit spring centering	HC966052090004	HC966052090004	HC966062090002	HC966062090002	HC966072090002
41	spring plate	- / -	- / -	- / -	- / -	- / -
42	spring	- / -	- / -	- / -	- / -	- / -
44	screw	- / -	- / -	- / -	- / -	- / -

4. DF control

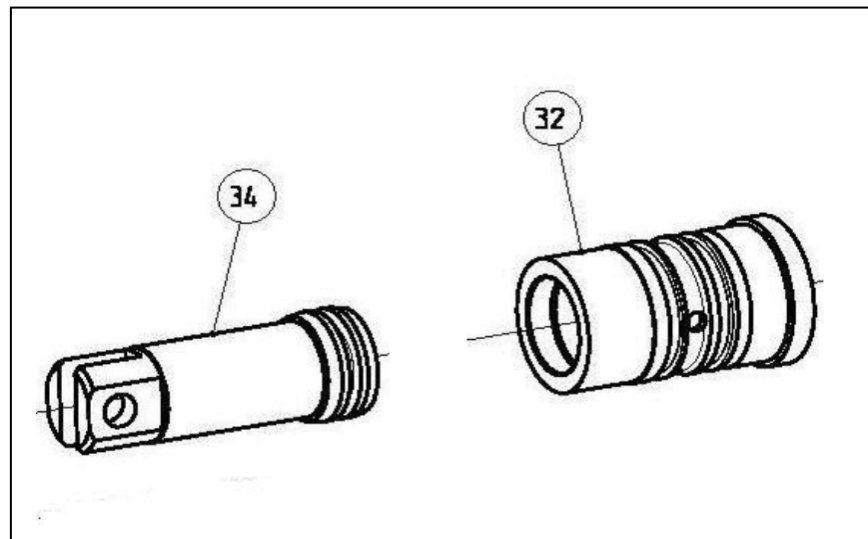
4.2 Link between yoke and control piston



Pos.	Description	Pump size				
		066	090	130	180	250
A	Kit link between yoke and control piston AXIAL pumps	HC536052096800	HC536052096800	HC536062096800	HC536062096800	HC536072096800
A1	Kit link between yoke and control piston RADIAL pumps	HC536052096800	HC536052096800	HC536062096801	HC536062096801	HC536072096801
35	link	- / -	- / -	- / -	- / -	- / -
36	lock washer	- / -	- / -	- / -	- / -	- / -
37	pin	- / -	- / -	- / -	- / -	- / -
38	pin	- / -	- / -	- / -	- / -	- / -
39	washer	- / -	- / -	- / -	- / -	- / -
40	cotter pin	- / -	- / -	- / -	- / -	- / -

4. DF control

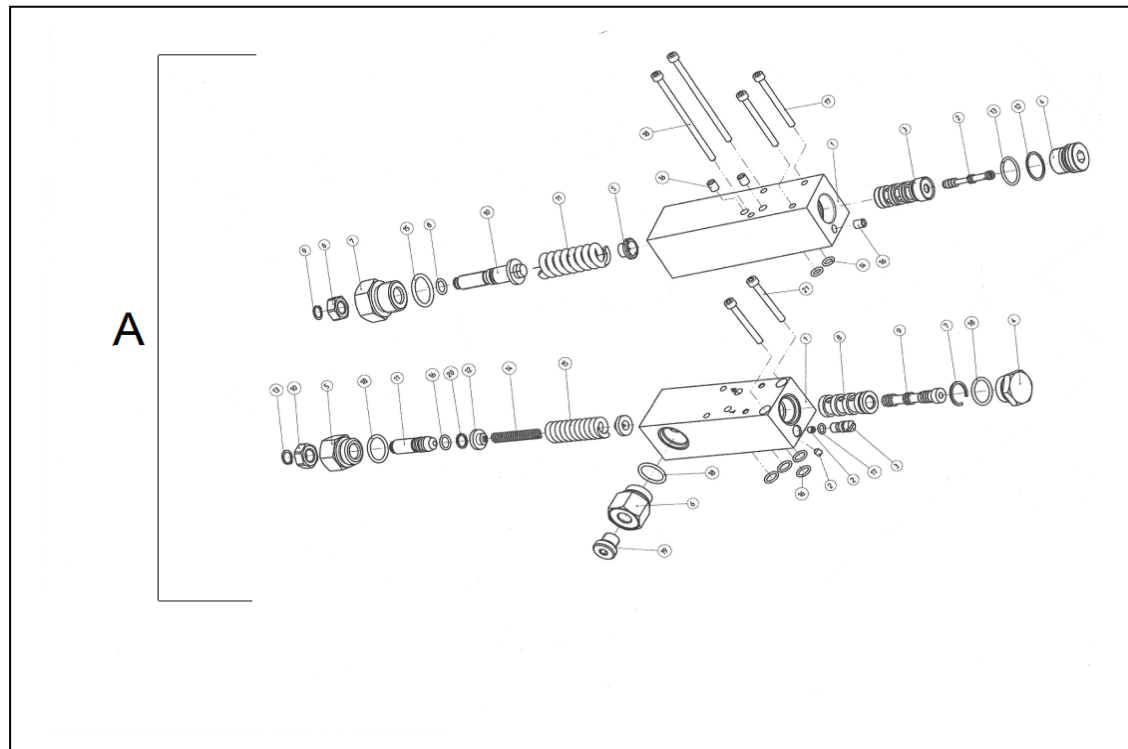
4.2 Control piston and sleeve



Pos.	Description	Pump size				
		066	090	130	180	250
A	Kit control piston and sleeve	HC966052090003	HC966052090003	HC966062090001	HC966062090001	HC966072090001
32	sleeve	- / -	- / -	- / -	- / -	- / -
34	control piston	- / -	- / -	- / -	- / -	- / -

4. DF control

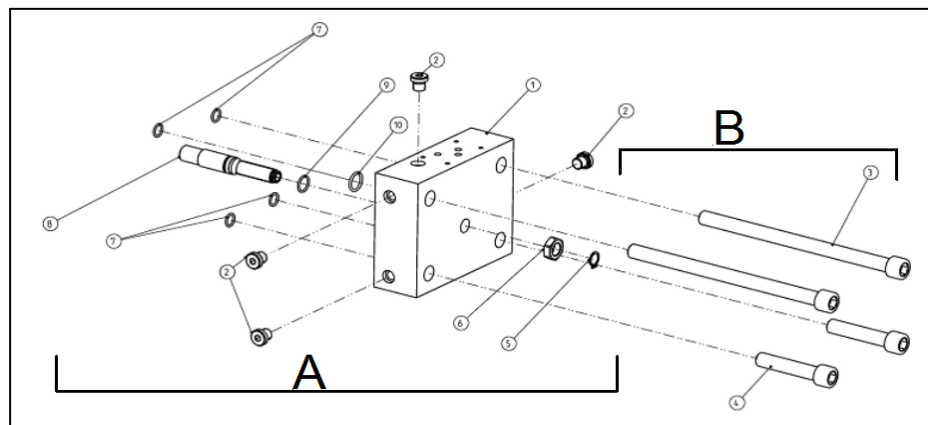
4.2 Pressure compensator



Pos.	Description	Pump size				
		066	090	130	180	250
A	Kit pressure compensator	HC536062096702	HC536062096702	HC536062096702	HC536062096702	HC536062096702

4. DF control

4.2 Adapter plate with max. adjustment screw



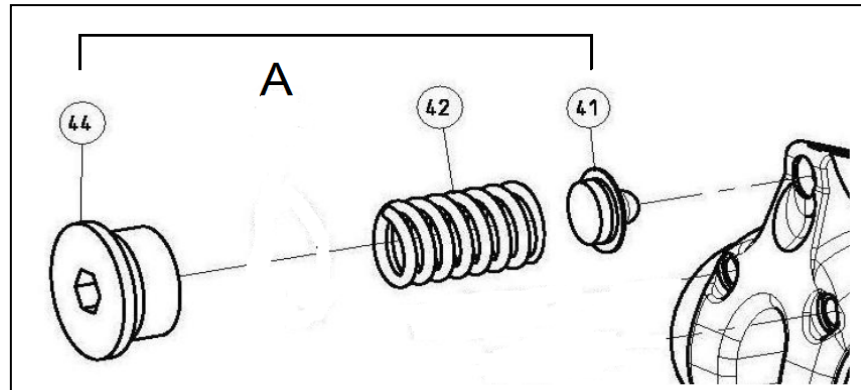
Pos.	Description	Pump size				
		066	090	130	180	250
A	Kit adapter plate with max. adjustment screw	HC536052025603	HC536052025603	HC536062025604	HC536062025604	HC536072025602
1	adapter plate	- / -	- / -	- / -	- / -	- / -
2	screw plug	- / -	- / -	- / -	- / -	- / -
5	lock washer	- / -	- / -	- / -	- / -	- / -
6	nut	- / -	- / -	- / -	- / -	- / -
7	O-ring	- / -	- / -	- / -	- / -	- / -
8	adjustment screw	- / -	- / -	- / -	- / -	- / -
9	O-ring	- / -	- / -	- / -	- / -	- / -
10	O-ring	- / -	- / -	- / -	- / -	- / -
B1	Kit assembly parts AXIAL pumps	HC536052029001	HC536052029001	HC536062029000	HC536062029000	HC536072029004
B2	Kit assembly parts RADIAL pumps	HC536052029001	HC536052029001	HC536062029001	HC536062029001	HC536072029005

4. DF control
 4.2 Accessories

Pos.	Description	Pump size				
		066	090	130	180	250
A	Seal kit DF/LR control	HC536052063300	HC536052063300	HC536062063302	HC536062063302	HC536072063302

5. LR control

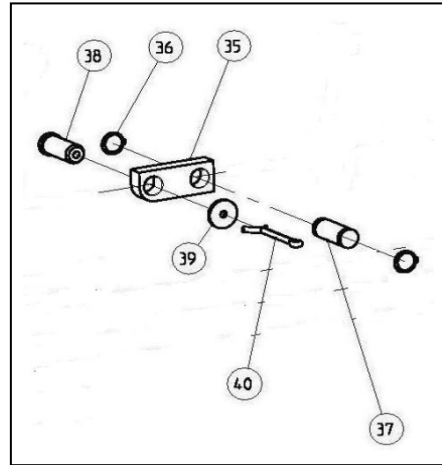
5.1 Spring centering



Pos.	Description	Pump size				
		066	090	130	180	250
A	Kit spring centering	HC966052090004	HC966052090004	HC966062090002	HC966062090002	HC966072090002
41	spring plate	- / -	- / -	- / -	- / -	- / -
42	spring	- / -	- / -	- / -	- / -	- / -
44	screw	- / -	- / -	- / -	- / -	- / -

5. LR control

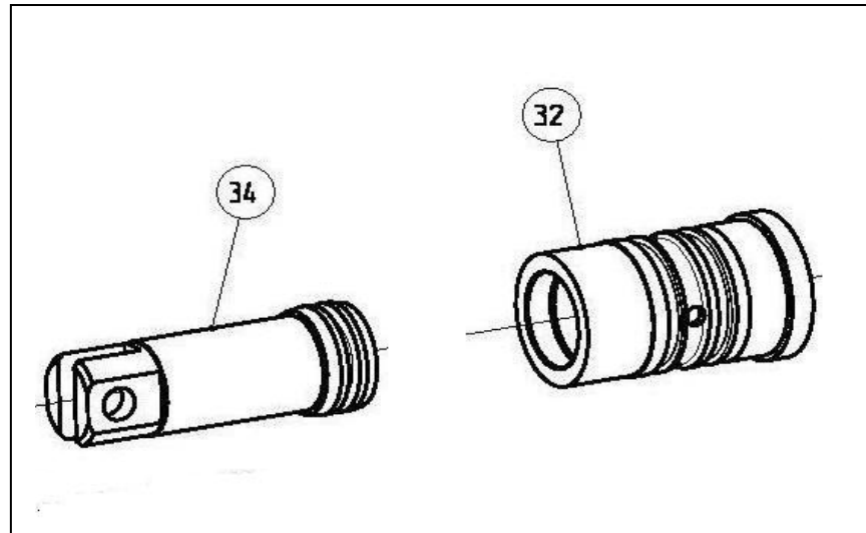
5.2 Link between yoke and control piston



Pos.	Description	Pump size				
		066	090	130	180	250
A	Kit link between yoke and control piston AXIAL pumps	HC536052096800	HC536052096800	HC536062096800	HC536062096800	HC536072096800
A1	Kit link between yoke and control piston RADIAL pumps	HC536052096800	HC536052096800	HC536062096801	HC536062096801	HC536072096801
35	link	- / -	- / -	- / -	- / -	- / -
36	lock washer	- / -	- / -	- / -	- / -	- / -
37	pin	- / -	- / -	- / -	- / -	- / -
38	pin	- / -	- / -	- / -	- / -	- / -
39	washer	- / -	- / -	- / -	- / -	- / -
40	cotter pin	- / -	- / -	- / -	- / -	- / -

5. LR control

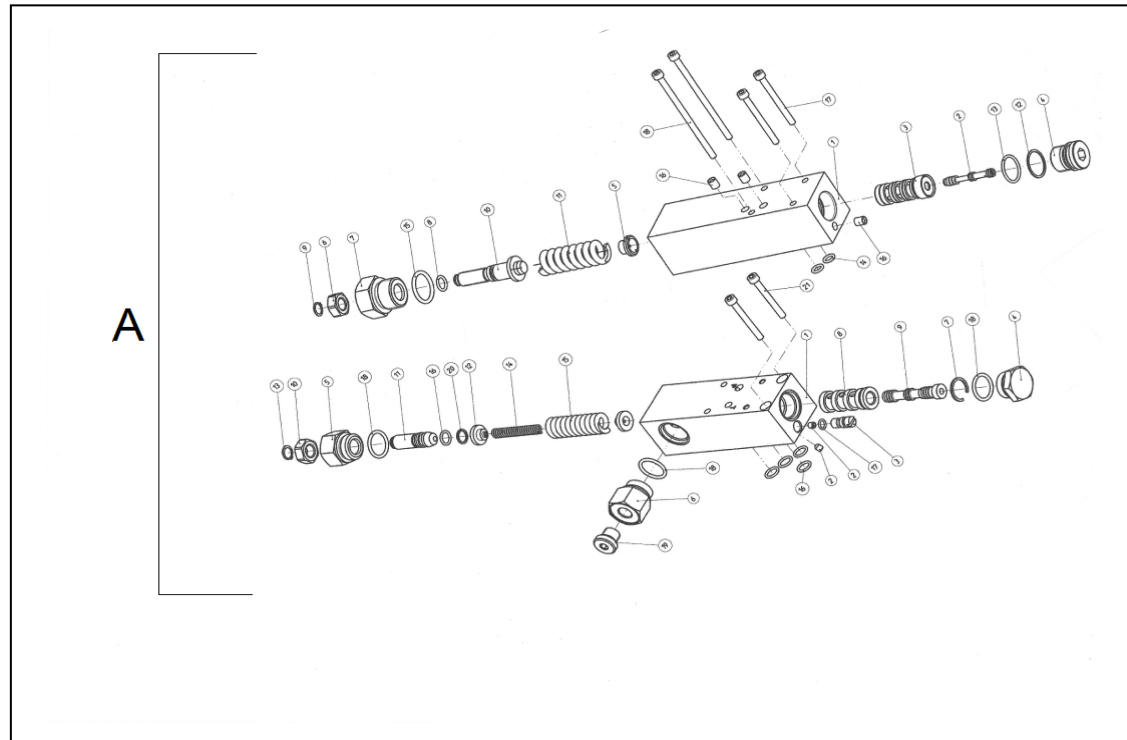
5.3 Control piston and sleeve



Pos.	Description	Pump size				
		066	090	130	180	250
A	Kit control piston and sleeve	HC966052090003	HC966052090003	HC966062090001	HC966062090001	HC966072090001
32	sleeve	- / -	- / -	- / -	- / -	- / -
34	control piston	- / -	- / -	- / -	- / -	- / -

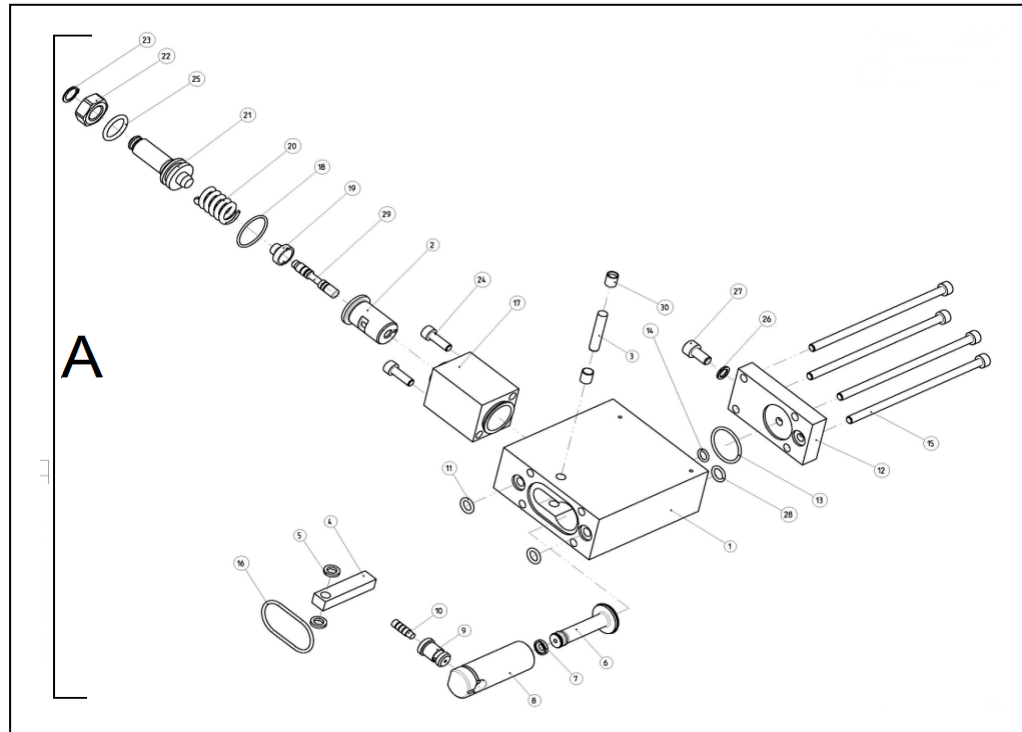
5. LR control

5.4 Pressure compensator



Pos.	Description	Pump size				
		066	090	130	180	250
A	Kit pressure compensator	HC536062096702	HC536062096702	HC536062096702	HC536062096702	HC536062096702

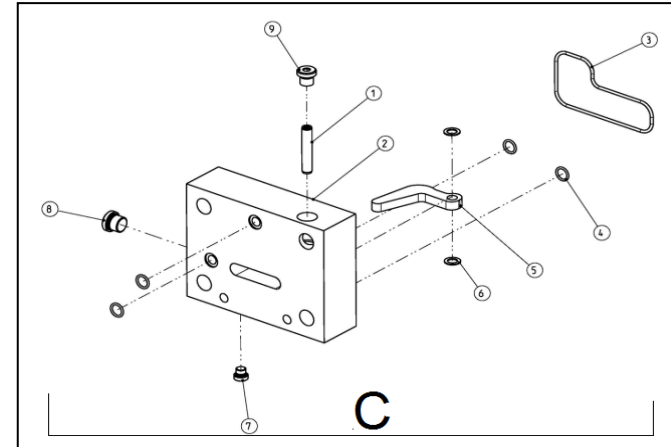
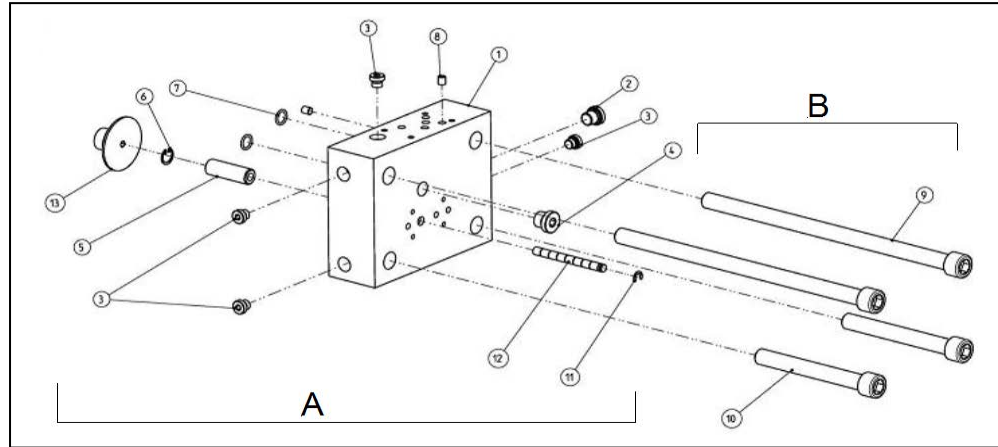
5. LR control
5.5 Power control valve



Pos.	Description	Pump size				
		066	090	130	180	250
A	Power control valve	HC536082062902	HC536082062902	HC536082062902	HC536082062902	HC536082062900

5. LR control

5.6 Adapter plate



nur Baugrösse 250

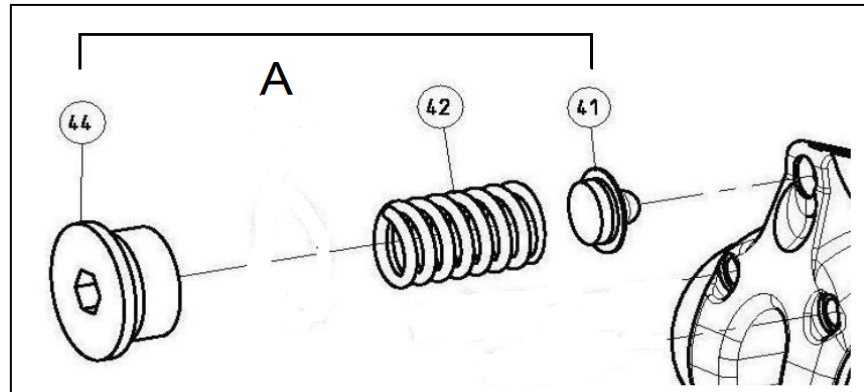
Pos.	Description	Pump size				
		066	090	130	180	250
A	Kit adapter block	HC536052025607	HC536052025607	HC536062025606	HC536062025606	HC536072097000
B1	Kit assembly parts AXIAL pumps	HC536052029001	HC536052029001	HC536062029000	HC536062029000	HC536072029002
B2	Kit assembly parts RADIAL pumps	HC536052029001	HC536052029001	HC536062029001	HC536062029001	HC536072029010
C	plate	- / -	- / -	- / -	- / -	HC536072097010
12	feedback spool	HC536082106015	HC536082106015	HC536082106012	HC536082106012	HC536082106012
13	plug	HC536062108501	HC536062108501	HC536062108500	HC536062108500	HC536072108500

5. LR control
5.7 Accessories

Pos.	Description	Pump size				
		066	090	130	180	250
A	Seal kit DF/LR control	HC536052063300	HC536052063300	HC536062063302	HC536062063302	HC536072063302

6. ST control

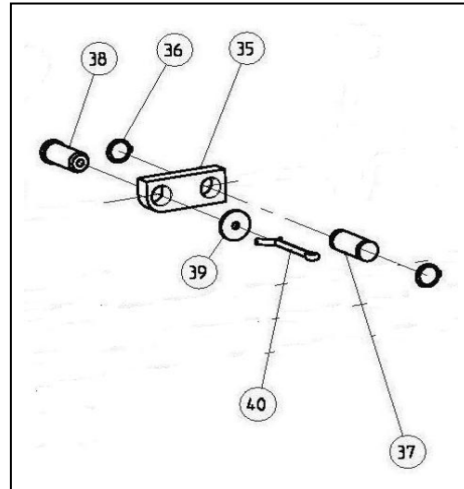
6.1 Spring centering



Pos.	Description	Pump size				
		066	090	130	180	250
A	Kit spring centering	HC966052090004	HC966052090004	HC966062090002	HC966062090002	HC966072090002
41	spring plate	- / -	- / -	- / -	- / -	- / -
42	spring	- / -	- / -	- / -	- / -	- / -
44	screw	- / -	- / -	- / -	- / -	- / -

6. ST control

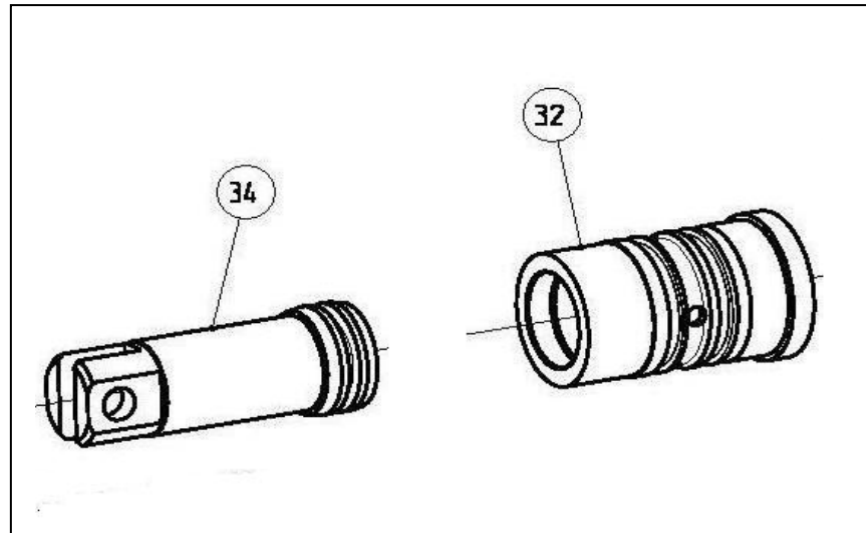
6.2 Link between yoke and control piston



Pos.	Description	Pump size				
		066	090	130	180	250
A	Kit link between yoke and control piston AXIAL pumps	HC536052096800	HC536052096800	HC536062096800	HC536062096800	HC536072096800
A1	Kit link between yoke and control piston RADIAL pumps	HC536052096800	HC536052096800	HC536062096801	HC536062096801	HC536072096801
35	link	- / -	- / -	- / -	- / -	- / -
36	lock washer	- / -	- / -	- / -	- / -	- / -
37	pin	- / -	- / -	- / -	- / -	- / -
38	pin	- / -	- / -	- / -	- / -	- / -
39	washer	- / -	- / -	- / -	- / -	- / -
40	cotter pin	- / -	- / -	- / -	- / -	- / -

6. ST control

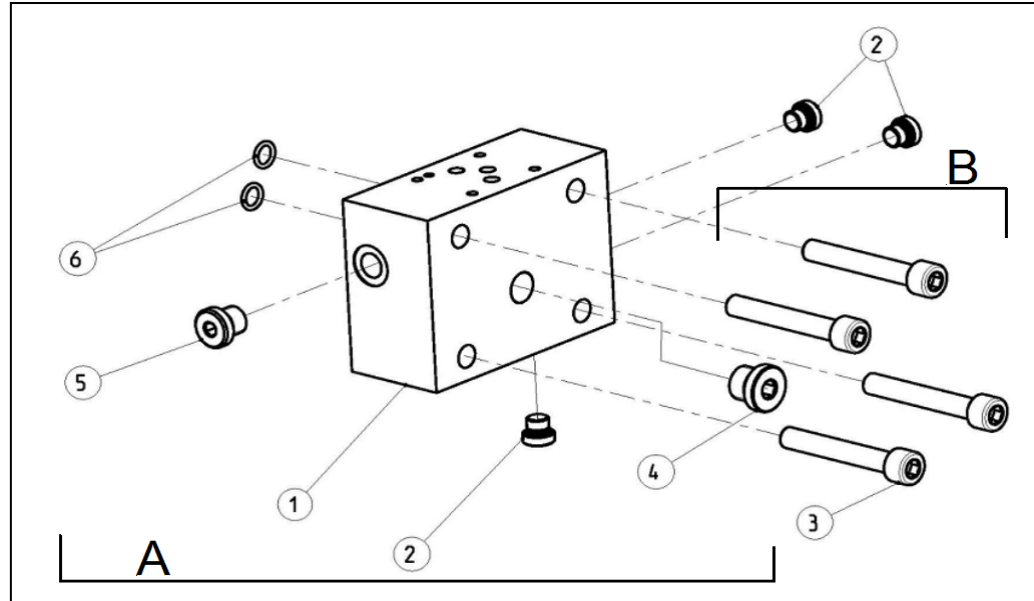
6.3 Control piston and sleeve



Pos.	Description	Pump size				
		066	090	130	180	250
A	Kit control piston and sleeve	HC966052090003	HC966052090003	HC966062090001	HC966062090001	HC966072090001
32	sleeve	- / -	- / -	- / -	- / -	- / -
34	control piston	- / -	- / -	- / -	- / -	- / -

6. ST control

6.4 Adapter plate



Pos.	Description	Pump size				
		066	090	130	180	250
A	Kit adapter plate with max. adjustment screw	HC536052025606	HC536052025606	HC536062025610	HC536062025610	on request
B1	Kit assembly parts AXIAL pumps	HC536052029001	HC536052029001	HC536062029000	HC536062029000	HC536072029004
B2	Kit assembly parts RADIAL pumps	HC536052029001	HC536052029001	HC536062029001	HC536062029001	HC536072029005

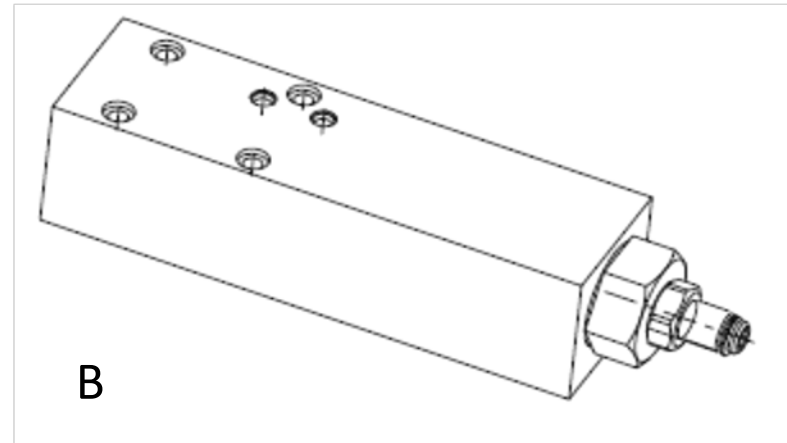
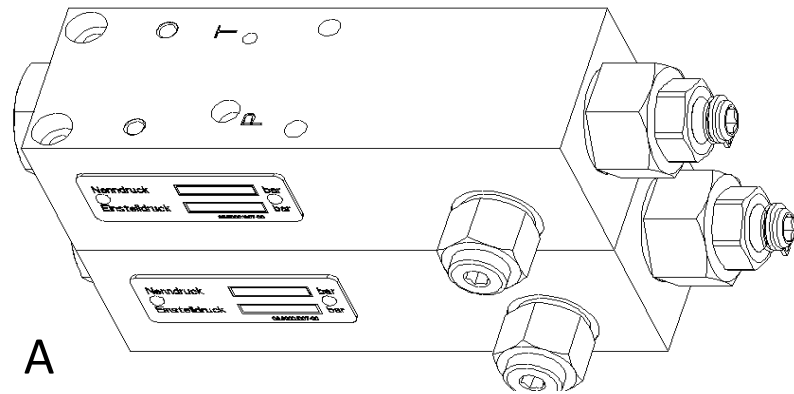
6. ST control
6.5 Accessories

Pos.	Description	Pump size				
		066	090	130	180	250
A	Seal kit	HC536052063300	HC536052063300	HC536062063302	HC536062063302	HC536072063302
A	Prop.-valve	HC002014767500	HC002014767500	HC002014767500	HC002014767500	HC002014767500
A	Kit electronic card	HC876086021001	HC876086021001	HC876086021001	HC876086021001	HC876086021001

7. Control options

7.1 Load sensing

(..DF000A10.. / ..LR000A30..)

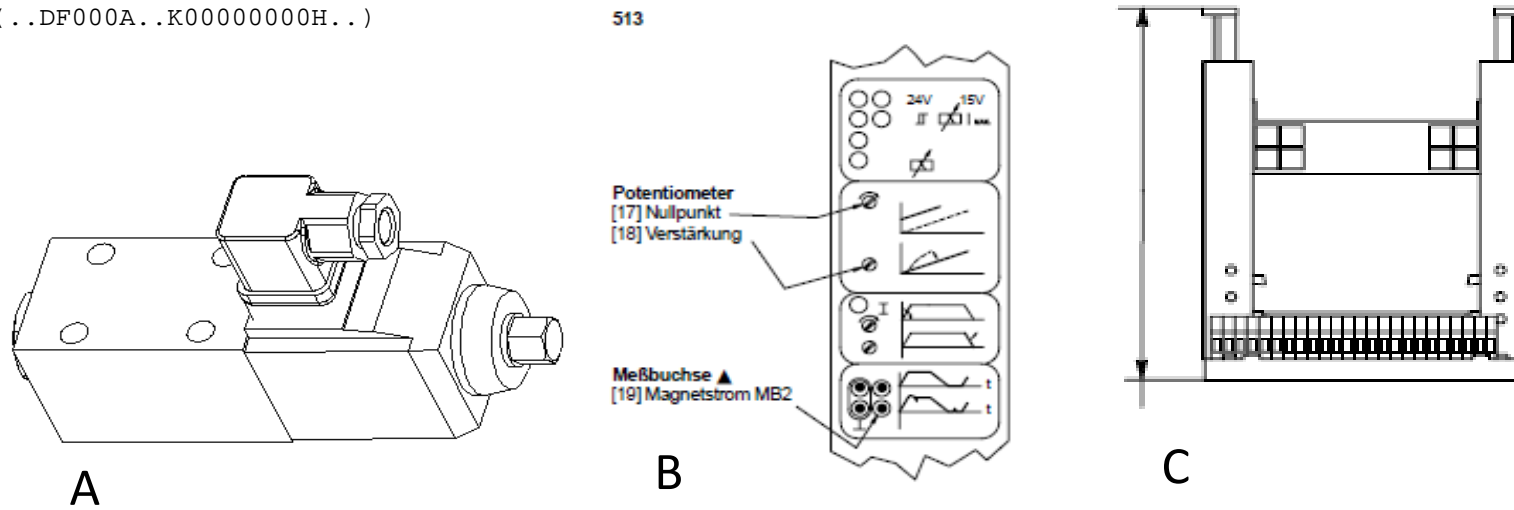


Pos.	Description	Pump size				
		066	090	130	180	250
A	Kit P-Q control valve	HC536052062030	HC536052062030	HC536052062030	HC536052062030	HC536052062030
B	Pilot stage	HC536062060612	HC536062060612	HC536062060612	HC536062060612	HC536062060612

7. Control options

7.2 Pressure control with prop.-valve

(..DF000A..K00000000H..)

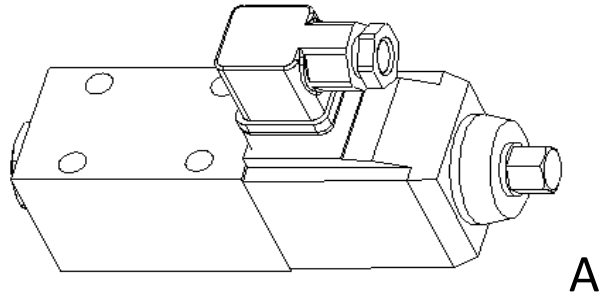


Pos.	Description	Pump size				
		066	090	130	180	250
A	Prop.- valve (KCG3350DZMUH110)	HC002014595900	HC002014595900	HC002014595900	HC002014595900	HC002014595900
B	electronic card (EEA-PAM-513-A-13)	HC002032601600	HC002032601600	HC002032601600	HC002032601600	HC002032601600
C	card holder (F48)	HC002010480800	HC002010480800	HC002010480800	HC002010480800	HC002010480800

7. Control options

7.3 Venting valve

(..DF000A..1..H..)



Pos.	Description	Pump size				
		066	090	130	180	250
A	4/2 directional valve (24V) (DG4V- 38BLVMUH761)	HC000000130984	HC000000130984	HC000000130984	HC000000130984	HC000000130984