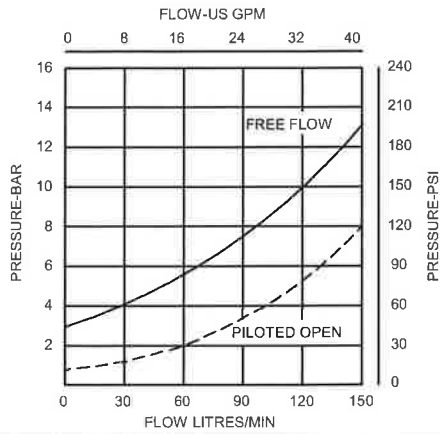
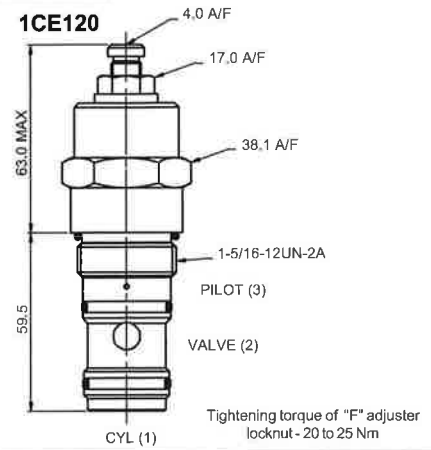


PRESSURE DROP



CARTRIDGE ONLY

BASIC CODE: 1CE120



SINGLE VALVE

3/4" 1" PORTS

BASIC CODE: 1CE150

Body ONLY part numbers

BSP, aluminium	SAE, aluminium	BSP, steel	SAE, steel
3/4" B6898	3/4" B8200	3/4" B5544	1" B11814
	1" B10708		

DUAL VALVE

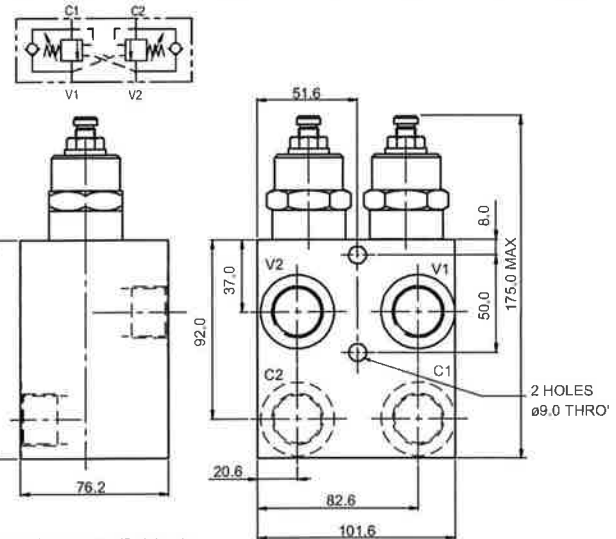
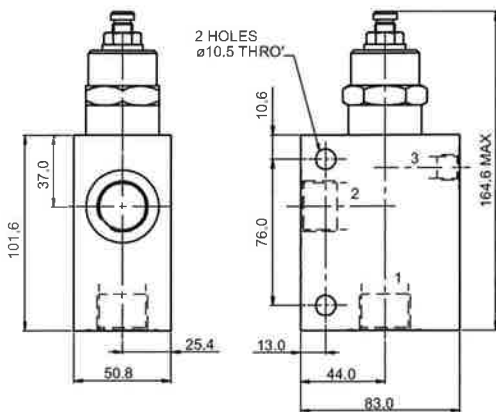
3/4" PORTS

BASIC CODE: 1CEE150

(INTERNALLY CROSS PILOTED)

Body ONLY part numbers

BSP, aluminium	SAE, aluminium	BSP, steel	SAE, steel
3/4" C2543	3/4" C10629	3/4" C1200	3/4" C16434



Where measurements are critical request certified drawings

ORDERING CODE EXAMPLE

1CE** F 6W 35 S 3**

Basic Code

- 1CE120 = Cartridge Only
- 1CE150 = Cartridge and Body
- 1CEE150 = Cartridges and Body

Adjustment Means

F = Screw Adjustment

Port Sizes - Bodied Valves Only

- 6W = 3/4" BSP Valve & Cyl Port. 1/4" BSP Pilot Port
- 12T = 3/4" SAE Valve & Cyl Port. 1/4" SAE Pilot Port
- 16T = 1" SAE Valve & Cyl Port. 1/4" SAE Pilot Port

Pressure Range @ 4.8 l/min

- 35 = 70-350 bar. Std setting 210 bar
- Std setting made at 4.8 litres/min

Pilot Ratio

- 3 = 3.5:1
- 8 = 8:1

Seals

- S = Nitrile (For use with most industrial hydraulic oils)
- SV = Viton (For high temperature and most special fluid applications)

We reserve the right to change specifications without notice