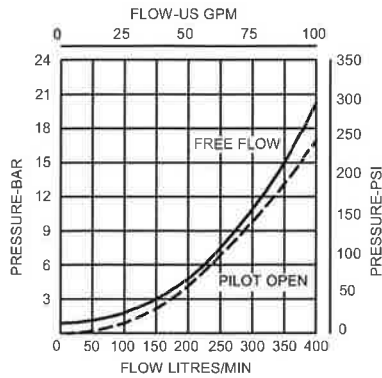
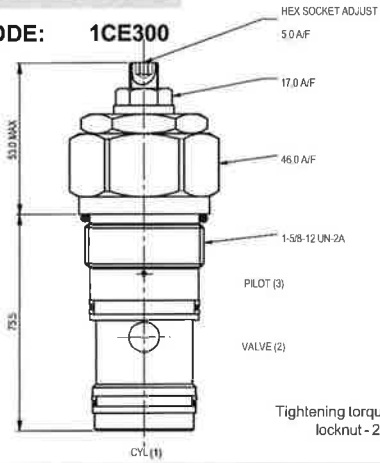


PRESSURE DROP



CARTRIDGE ONLY

BASIC CODE: 1CE300

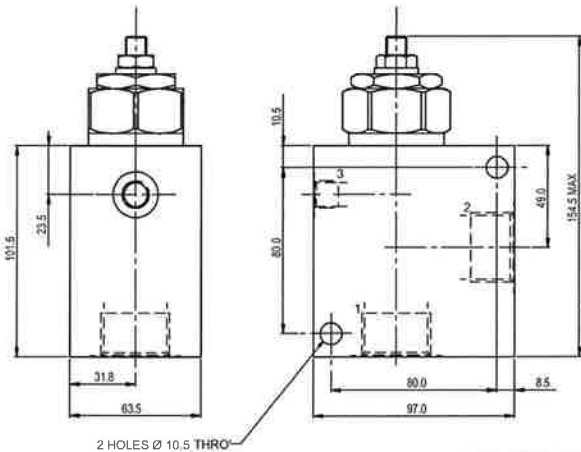


SINGLE VALVE

1 1/4" PORTS

BASIC CODE: 1CE350
Body ONLY part numbers

BSP, aluminium 1 1/4" B6814	SAE, aluminium 1 1/4" B10630	BSP, steel 1 1/4" B8610	SAE, steel 1 1/4" B11474
--------------------------------	---------------------------------	----------------------------	-----------------------------



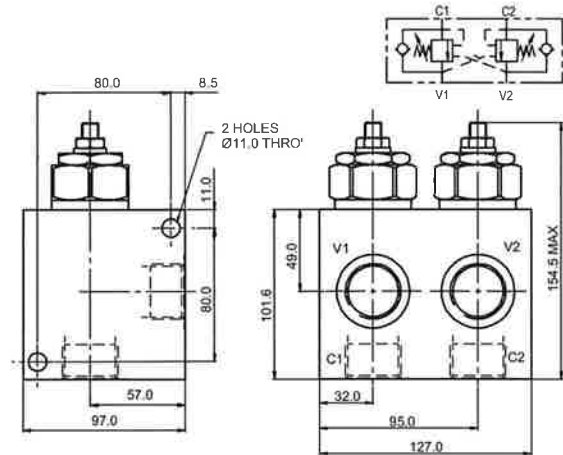
DUAL VALVE

1 1/4" PORTS

(INTERNALLY CROSS PILOTED)

BASIC CODE: 1CEE350
Body ONLY part numbers

BSP, aluminium 1 1/4" C8704	SAE, aluminium 1 1/4" C10811	BSP, steel 1 1/4" C8705	SAE, steel 1 1/4" C11564
--------------------------------	---------------------------------	----------------------------	-----------------------------



Where measurements are critical request certified drawings

ORDERING CODE EXAMPLE

1CE* F 10W 35 S 3**

Basic Code
1CE300 = Cartridge Only
1CE350 = Cartridge and Body
1CEE350 = Cartridges and Body

Adjustment Means
F = Screw Adjustment

Port Sizes - Bodied Valves Only
10W = 1 1/4" BSP Valve & Cyl Port. 1/4" BSP Pilot Port
20T = 1 1/4" SAE Valve & Cyl Port. 1/4" SAE Pilot Port

Pressure Range @ 4.8 l/min
35 = 70-350 bar. Std setting 210 bar
Std setting made at 4.8 litres/min

Pilot Ratio
3 = 3:1 (Standard)
8 = 8:1

Seals
S = Nitrile (For use with most industrial hydraulic oils)
SV = Viton (For high temperature and most special fluid applications)

We reserve the right to change specifications without notice