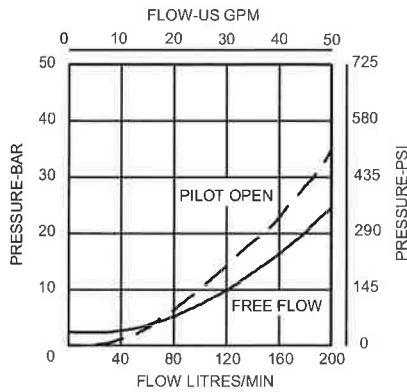
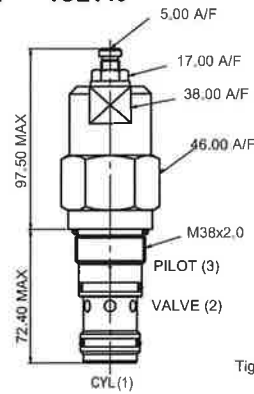


PRESSURE DROP



CARTRIDGE ONLY

BASIC CODE: 1CE140



Tightening torque of "F" adjuster locknut - 20 to 25 Nm

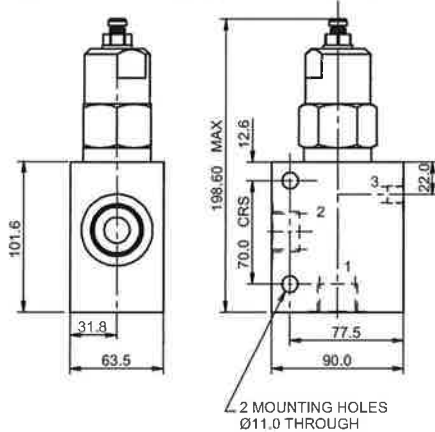
SINGLE VALVE

3/4" 1" PORTS

BASIC CODE: 1CE145

Body ONLY part numbers

| BSP aluminium | | SAE, aluminium | | BSP, steel | | SAE, steel | |
|---------------|--------|----------------|--------|------------|--------|------------|--------|
| 3/4" | B20105 | 1" | B11946 | 3/4" | B20106 | 1" | B11947 |
| 1" | B20107 | | | 1" | B20108 | | |



DUAL VALVE

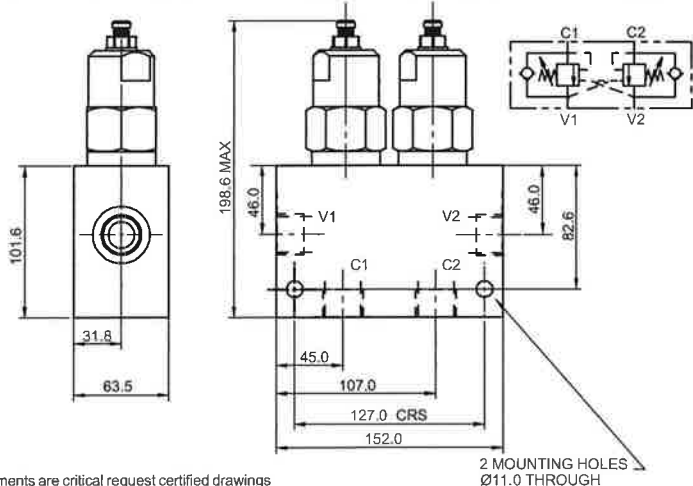
1" PORTS

BASIC CODE: 1CEE145

Body ONLY part numbers

| BSP aluminium | | SAE, aluminium | | BSP, steel | | SAE, steel | |
|---------------|--------|----------------|--------|------------|--------|------------|--------|
| 1" | C20285 | 1" | C30105 | 1" | C20287 | 1" | C30106 |

(INTERNALLY CROSS PILOTED)



Where measurements are critical request certified drawings

2 MOUNTING HOLES Ø11.0 THROUGH

ORDERING CODE EXAMPLE

1CE** F 6W 40 S 4**

Basic Code

1CE140 = Cartridge Only
 1CE145 = Cartridge and Body
 1CEE145 = Cartridges and Body

Adjustment Means

F = Screw Adjustment

Port Sizes - Bodied Valves Only

6W = 3/4" BSP Valve & Cyl Port. 1/4" BSP Pilot Port
 8W = 1" BSP Valve & Cyl Port. 1/4" BSP Pilot Port
 16T = 1" SAE Valve & Cyl Port. 1/4" SAE Pilot Port

Pilot Ratio

4 = 4:1
 6 = 6:1
 Other ratios available upon request

Seals

S = Nitrile (For use with most industrial hydraulic oils)
 SV = Viton (For high temperature and most special fluid applications)

Pressure Range @ 4.8 l/min

20 = 140-250 bar. Std setting 190 bar
 30 = 220-330 bar. Std setting 270 bar
 40 = 310-420 bar. Std setting 370 bar
 Std setting made at 4.8 litres/min

We reserve the right to change specifications without notice