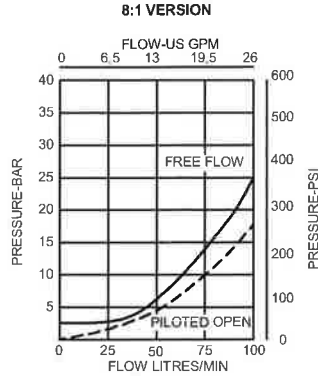
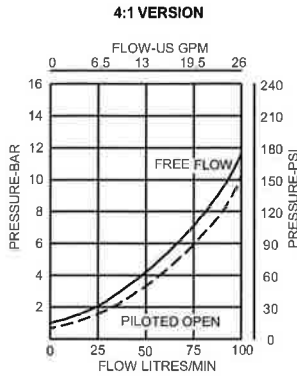
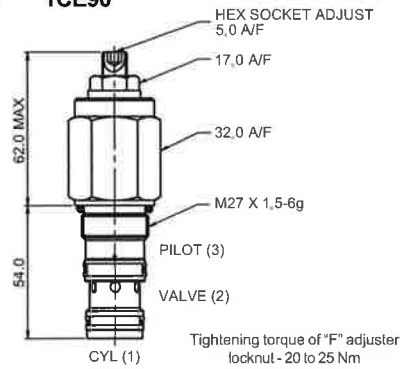


## PRESSURE DROP



## CARTRIDGE ONLY

**BASIC CODE: 1CE90**



## SINGLE VALVE

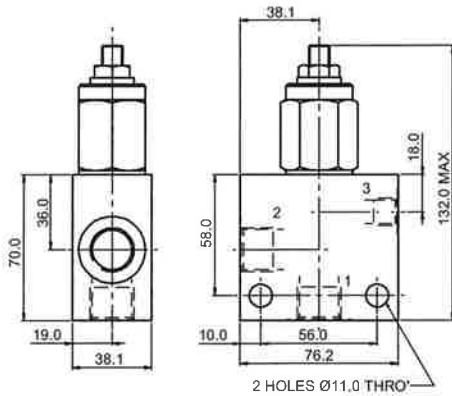
**1/2" PORTS**

**BASIC CODE: 1CE95**

Body ONLY part numbers

BSP, aluminium 1/2" B13625      SAE, aluminium 1/2" B10806

BSP, steel 1/2" B13626      SAE, steel 1/2" B10922



## DUAL VALVE

**1/2" PORTS**

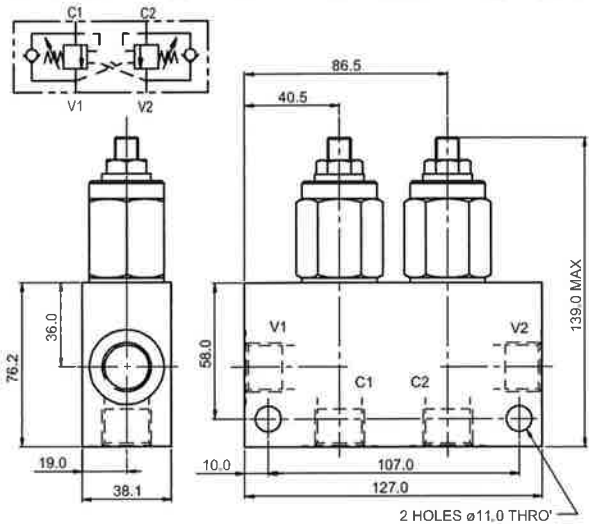
(INTERNALLY CROSS PILOTED)

**BASIC CODE: 1CEE95**

Body ONLY part numbers

BSP, aluminium 1/2" C13627      SAE, aluminium 1/2" C10807

BSP, steel 1/2" C13628      SAE, steel 1/2" C11561



Where measurements are critical request certified drawings

## ORDERING CODE EXAMPLE

**1CE\*\*\*\* F 4W 35 S 4**

### Basic Code

**1CE90** = Cartridge Only  
**1CE95** = Cartridge and Body  
**1CEE95** = Cartridges and Dual Body

### Adjustment Means

**F** = Screw Adjustment  
**N** = Fixed - State pressure setting required  
 For fixed versions add setting in 10 bar increments to end of part number. Subject to a ±10% tolerance.

### Port Sizes - Bodied Valves Only

**4W** = 1/2" BSP Valve & Cyl Port. 1/4" BSP Pilot Port  
**8T** = 1/2" SAE Valve & Cyl Port. 1/4" SAE Pilot Port

### Pilot Ratio

**4** = 4:1  
**8** = 8:1  
 Other ratios available upon request

### Seals

**S** = Nitrile (For use with most industrial hydraulic oils)  
**SV** = Viton (For high temperature and most special fluid applications)

### Pressure Range @ 4.8 l/min

**20** = 70-225 bar. Std setting 100 bar  
**35** = 200-350 bar. Std setting 210 bar  
 Std setting made at 4.8 litres/min

We reserve the right to change specifications without notice